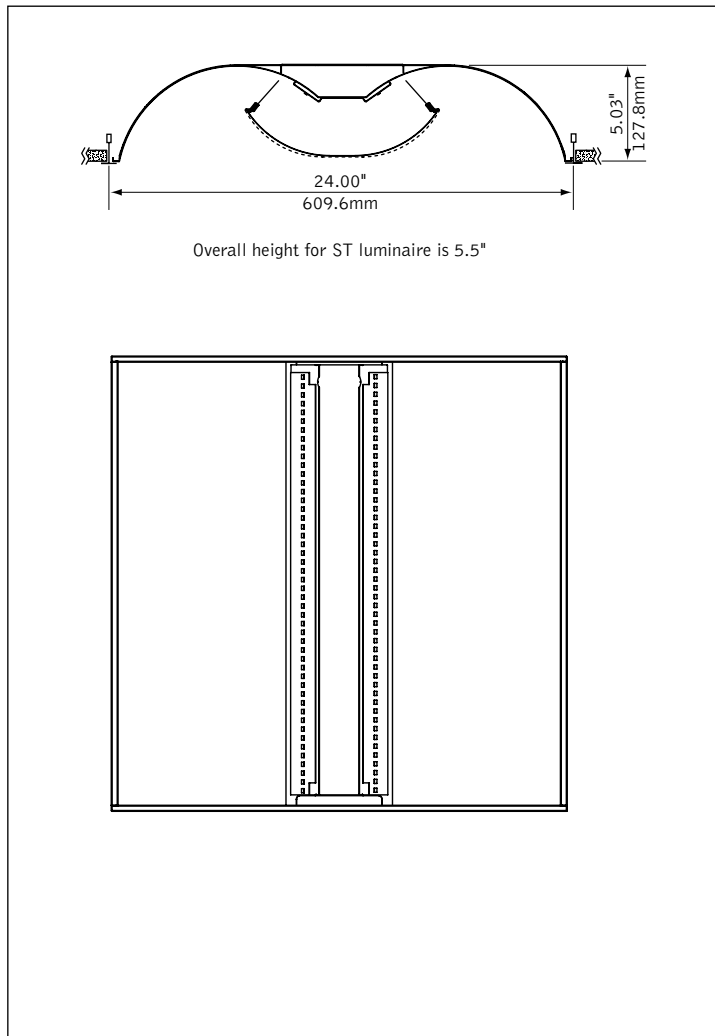


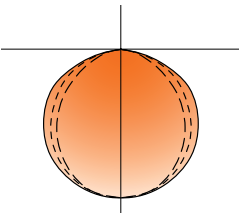
DIMENSIONAL DATA



FEATURES

- Architectural recessed LED luminaire with perforated center basket.
- Classic style updated with the latest technology.
- Reflector and end caps form seamless one-piece housing.
- High reflectance, low gloss Matte White finish controls glare.
- Comparable output to fluorescent versions with reduced wattage.
- Luna[®] LED provides high angle uniform distribution ideal for comfortable general illumination.

PERFORMANCE



PRODUCT OVERVIEW

Lumen Output:	2000-3500lm
Wattage:	23-47W
LPW:	74-87
SDCM:	3
Lumen Maintenance:	L90 @ 98,000hrs

Delivered Lumens: 2500lm

Total System Watts: 31W

Photometric performance is measured in accordance with IESNA LM-79. Visit focalpointlights.com for complete photometric data.

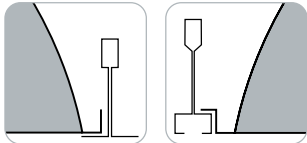
fixture:

project:

MOUNTING INFORMATION

grid

specify "G" for flat 9/16" and 15/16" tee or "ST" for 9/16" slot tee grid types.

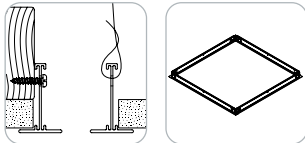


"G" flat tee "ST" slot tee

Overall height for ST luminaire is 5.50".

drywall frame kit

specify "DF" Drywall Frame Kit for drywall ceiling conditions.



Use tie-wire or screws to secure frame kit.

cut out dimensions:
2": Min: 24.25"
Max: 24.563"

SPECIFICATIONS

LED System

Proprietary linear LED module incorporates premium LEDs on a robust platform to achieve excellent thermal management. LEDs are placed to promote a uniform appearance. Available in 3000K, 3500K or 4000K with CRI>80. 0-10V dimming driver standard. LED modules and drivers are replaceable.

Construction

One-piece 20 Ga. steel reflector and housing. 20 Ga. steel ends form finished housing. LEDs are shielded by detachable 22 Ga. steel perforated shield with acrylic lens insert. LED shield is secured by four spring-pins allowing shield to hinge down for maintenance. Top access 20 Ga. steel driver compartment. Weight: 29 lbs.

Optic

One-piece 20 Ga. steel reflectors finished in Matte Satin White powder coat.

Electrical

Standard 120-277V driver includes 0-10V analog dimming, dimming range 100% - 10% Power factor > .9.

Emergency Battery

Bodine BSL310-CAN. Emergency output—10 watts for 90 minutes.
Bodine BSL20LV (U.S. only). Emergency output—20 watts for 90 minutes.

Labels

UL and cUL Listed. Suitable for Dry or Damp Locations, indoor use only.

Finish

Polyester powder coat applied over a 5-stage pre-treatment.

Lumen Maintenance

Calculated: L90 at 98,000 hours Reported: L90 at >61,000 hours
Derived from EPA TM-21 calculator

Lifetime and warranty

LED System rated for operation in ambient environments up to 25°C. 5 year limited warranty.

PERFORMANCE CHART

Delivered Lumens	Tested System Watts	LPW
2000 Lumens	23	87
2500 Lumens	31	81
3000 Lumens	39	77
3500 Lumens	47	74

*Lumen output may vary +/- 5%. Actual wattage may vary +/- 5%

ORDERING

Luminaire Series	FLUL	FLUL
Luna LED	FLUL	
Nominal Size		22
2' x 2'	22	
Shielding		PS
Perforated Shield	PS	
Lumen Output		
2000 Lumens	2000L	
2500 Lumens	2500L	
3000 Lumens	3000L	
3500 Lumens	3500L	
Color Temperature		
3000K	30K	
3500K	35K	
4000K	40K	
Circuit		1C
Single Circuit	1C	
Voltage		
120 Volt	120	
277 Volt	277	
UNV Volt	UNV	
<small>(Cannot be specified with EM option)</small>		
Driver		
0-10V - 10% Dimming	LD1	
Lutron A-Series	L3D	
1% EcoSystem Digital		
<small>3500L: (2) drivers supplied, (2) EcoSystem addresses consumed (Consult factory for 3-wire control)</small>		
Mounting		
24" Aircraft Cable	C24	
48" Aircraft Cable	C48	
96" Aircraft Cable	C96	
Drywall Frame Kit	F	
<small>(Cut out dimensions: Min: 24.25"/Max: 24.563")</small>		
Grid	G	
Slot Tee	ST	
Surface Mount	SM	
Factory Options		
Air Return	AR	
<small>(Adds 0.875" to overall height)</small>		
Chicago Plenum	CP	
Bodine BSL310 Emergency Battery	B310	
<small>(Adds 3.25" to overall height)</small>		
Bodine BSL20 High Output Emergency Battery	B20	
<small>(Adds 3.25" to overall height. U.S. Only)</small>		
Positional Clips	EQ	
6' New York City Flex Whip	FNY	
6' Flex Whip	FW	
Finish		WH
Matte Satin White	WH	



Luna™ 2x2

LED

FLUL-22-PS-2500L-35K-1C-120-LD1-G-WH

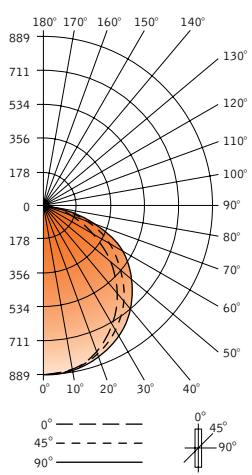
Lumens: 2500lm

Filename: FLUL22PS2500L35K.IES

System Watts: 31W

LPW: 81

CANDLEPOWER DISTRIBUTION



Vertical Angle	Horizontal Angle				
	0°	22.5°	45°	67.5°	90°
0°	889	889	889	889	889
5°	882	883	883	884	885
15°	839	842	849	856	860
25°	760	766	784	803	813
35°	656	666	698	728	743
45°	517	539	585	628	652
55°	369	404	461	514	542
65°	226	264	323	361	387
75°	113	135	162	184	194
85°	25	29	33	36	38
90°	0	0	0	0	0
95°	0	0	0	0	0
105°	0	0	0	0	0
115°	0	0	0	0	0
125°	0	0	0	0	0
135°	0	0	0	0	0
145°	0	0	0	0	0
155°	0	0	0	0	0
165°	0	0	0	0	0
175°	0	0	0	0	0
180°	0	0	0	0	0

LUMEN SUMMARY

Zone	Lumens	% Fixture
0-30°	685	27.4
0-40°	1121	44.9
0-60°	1981	79
0-90°	2499	100.0
Total Luminaire 0-180°	2500	100.0

LUMINANCE DATA (CD/M²)

Vertical Angle	Horizontal Angle		
	0°	45°	90°
45°	2137	2421	2700
55°	1884	2351	2764
65°	1566	2234	2616
75°	1279	1829	2194
85°	823	1104	1269

Go to www.focalpointlights.com for additional photometric data.