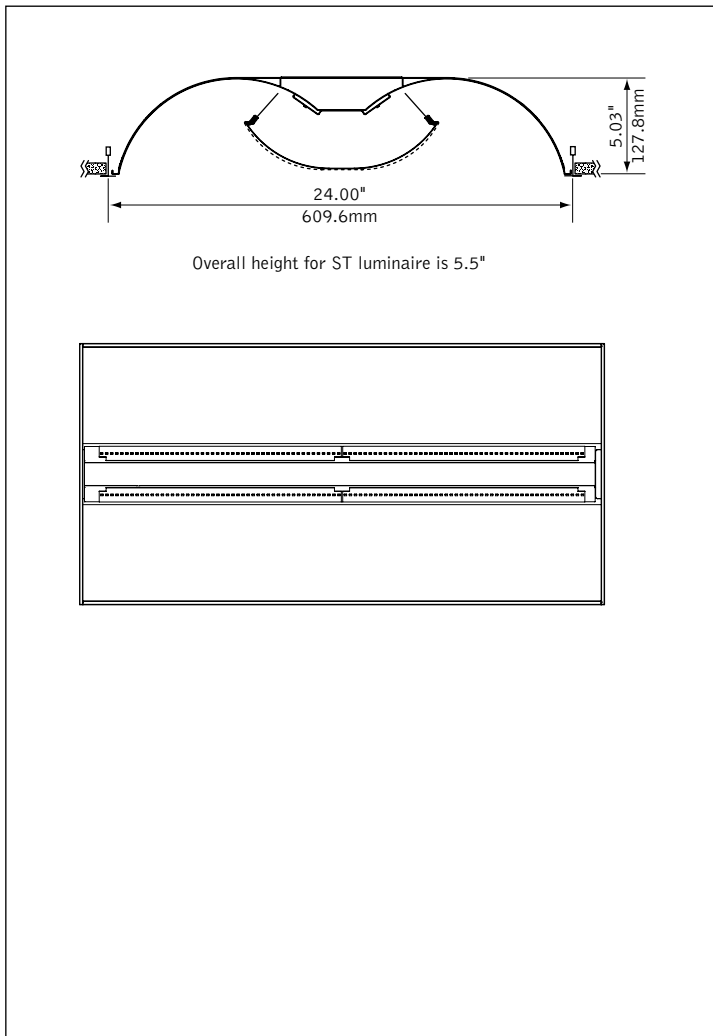


## DIMENSIONAL DATA



## FEATURES

Architectural recessed LED luminaire with perforated center basket.

Classic style updated with the latest technology.

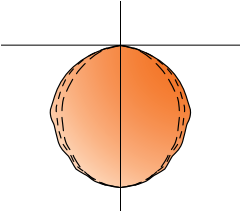
Reflector and end caps form seamless one-piece housing.

High reflectance, low gloss Matte White finish controls glare.

Comparable output to fluorescent versions with reduced wattage.

Luna<sup>®</sup> LED provides high angle uniform distribution ideal for comfortable general illumination.

## PERFORMANCE



**PRODUCT OVERVIEW**

Lumen Output: 4000-5500lm

Wattage: 47-69W

LPW: 80-85

SDCM: 3

Lumen Maintenance: L90 @ 114,000hrs

**Delivered Lumens: 5000lm**

**Total System Watts: 62W**

Photometric performance is measured in accordance with IESNA LM-79. Visit focalpointlights.com for complete photometric data.

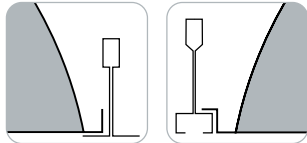
fixture:

project:

**MOUNTING INFORMATION**

**grid**

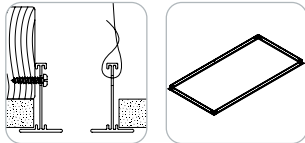
specify "G" for flat 9/16" and 15/16" tee or "ST" for 9/16" slot tee grid types.



"G" flat tee  
"ST" slot tee  
Overall height for ST luminaire is 5.50".

**drywall frame kit**

specify "DF" Drywall Frame Kit for drywall ceiling conditions.



Use tie-wire or screws to secure frame kit.

cut out dimensions:  
2': Min: 24.25" Max: 24.563"  
4': Min: 48.25" Max: 48.563"

**SPECIFICATIONS**

**LED System**

Proprietary linear LED module incorporates premium LEDs on a robust platform to achieve excellent thermal management. LEDs are placed to promote a uniform appearance. Available in 3000K, 3500K or 4000K with CRI>80. 0-10V dimming driver standard. LED modules and drivers are replaceable.

**Construction**

One-piece 20 Ga. steel reflector and housing. 20 Ga. steel ends form finished housing. LEDs are shielded by detachable 22 Ga. steel perforated shield with acrylic lens insert. LED shield is secured by four spring-pins allowing shield to hinge down for maintenance. Top access 20 Ga. steel driver compartment. Weight: 29 lbs.

**Optic**

One-piece 20 Ga. steel reflectors finished in Matte Satin White powder coat.

**Electrical**

Standard 120-277V driver includes 0-10V analog dimming, dimming range 100% - 10% Power factor > .9.

**Emergency Battery**

Bodine BSL310-CAN. Emergency output—10 watts for 90 minutes.  
Bodine BSL20LV (U.S. only). Emergency output—20 watts for 90 minutes.

**Labels**

UL and cUL Listed. Suitable for Dry or Damp Locations, indoor use only.

**Finish**

Polyester powder coat applied over a 5-stage pre-treatment.

**Lumen Maintenance**

Calculated: L90 at 114,000 hours      Reported: L90 at >61,000 hours  
Derived from EPA TM-21 calculator

**Lifetime and warranty**

LED System rated for operation in ambient environments up to 25°C. 5 year limited warranty.

**PERFORMANCE CHART**

Delivered Lumens	Tested System Watts	LPW
4000 Lumens	47	85
4500 Lumens	55	82
5000 Lumens	62	81
5500 Lumens	69	80

\*Lumen output may vary +/- 5%. Actual wattage may vary +/- 5%

**ORDERING**

Luminaire Series	FLUL
Luna LED	FLUL
<b>Nominal Size</b>	<b>24</b>
2' x 4'	24
<b>Shielding</b>	<b>PS</b>
Perforated Shield	PS
<b>Lumen Output</b>	
4000 Lumens	4000L
4500 Lumens	4500L
5000 Lumens (LD1 only)	5000L
5500 Lumens (LD1 only)	5500L
<b>Color Temperature</b>	
3000K	30K
3500K	35K
4000K	40K
<b>Circuit</b>	<b>1C</b>
Single Circuit	1C
<b>Voltage</b>	
120 Volt	120
277 Volt	277
UNV Volt	UNV
<small>(Cannot be specified with EM option)</small>	
<b>Driver</b>	
0-10V - 10% Dimming	LD1
Lutron A-Series	L3D
1% EcoSystem Digital	
<small>4000L &amp; 4500L only. (2) drivers supplied, (2) EcoSystem addresses consumed (consult factory for 3-wire control)</small>	
<b>Mounting</b>	
24" Aircraft Cable	C24
48" Aircraft Cable	C48
96" Aircraft Cable	C96
Drywall Frame Kit	F
<small>(Cut out dimensions: Min: 24.25"/Max: 24.563" Min: 48.25"/Max: 48.563")</small>	
Grid	G
Slot Tee	ST
Surface Mount	SM
<b>Factory Options</b>	
Air Return	AR
<small>(Adds 0.875" to overall height)</small>	
Chicago Plenum	CP
Bodine BSL310 Emergency Battery	B310
<small>(Adds 3.25" to overall height)</small>	
Bodine BSL20LV High Output Emergency Battery	B20
<small>(Adds 3.25" to overall height. U.S. Only)</small>	
Positional Clip	EQ
6' New York City Flex Whip	FNY
6' Flex Whip	FW
<b>Finish</b>	<b>WH</b>
Matte Satin White	WH



# Luna™ 2x4

LED

FLUL-24-PS-5000L-35K-1C-120-LD1-G-WH

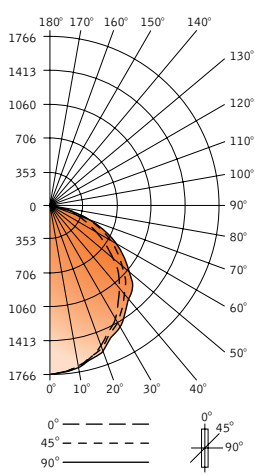
Lumens: 5000lm

Filename: FLUL24PS5000L35K.IES

System Watts: 62 W

LPW: 81

## CANDLEPOWER DISTRIBUTION



Vertical Angle	Horizontal Angle				
	0°	22.5°	45°	67.5°	90°
0°	1766	1766	1766	1766	1766
5°	1764	1761	1753	1754	1756
15°	1678	1680	1685	1698	1705
25°	1523	1533	1559	1594	1611
35°	1309	1331	1385	1441	1468
45°	1048	1091	1172	1244	1281
55°	759	825	927	1016	1055
65°	472	551	656	714	728
75°	239	294	329	363	371
85°	51	63	70	72	71
90°	0	0	0	0	0
95°	0	0	0	0	0
105°	0	0	0	0	0
115°	0	0	0	0	0
125°	0	0	0	0	0
135°	0	0	0	0	0
145°	0	0	0	0	0
155°	0	0	0	0	0
165°	0	0	0	0	0
175°	0	0	0	0	0
180°	0	0	0	0	0

## LUMEN SUMMARY

Zone	Lumens	% Fixture
0-30°	1364	27.3
0-40°	2231	44.6
0-60°	3952	79
0-90°	5000	100.0
<b>Total Luminaire 0-180°</b>	<b>5000</b>	<b>100.0</b>

## LUMINANCE DATA (CD/M²)

Vertical Angle	0°	45°	90°
45°	2123	2375	2595
55°	1894	2314	2634
65°	1601	2224	2467
75°	1323	1823	2054
85°	831	1152	1173

Go to [www.focalpointlights.com](http://www.focalpointlights.com) for additional photometric data.