

# FLU 11 - LUNA 1x1

## SAFETY AND INSTALLATION INSTRUCTIONS

FIXTURES MUST BE INSTALLED BY A QUALIFIED ELECTRICIAN (CHECK WITH LOCAL AND NATIONAL CODES FOR PROPER INSTALLATION). TO PREVENT ELECTRICAL SHOCK, DISCONNECT ELECTRICAL SUPPLY BEFORE INSTALLATION OR SERVICING.

### FLU 11 GRID MOUNT

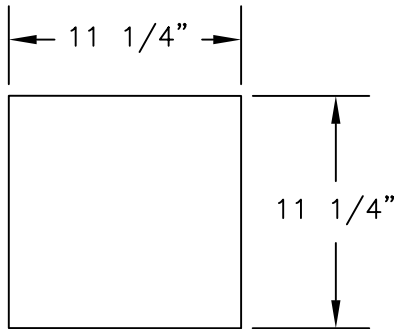


FIG. 1

1. CUT LUMINAIRE OPENING (11 1/4" X 11 1/4") IN THE DESIRED LOCATION ON THE CEILING TILE. (FIG. 1)

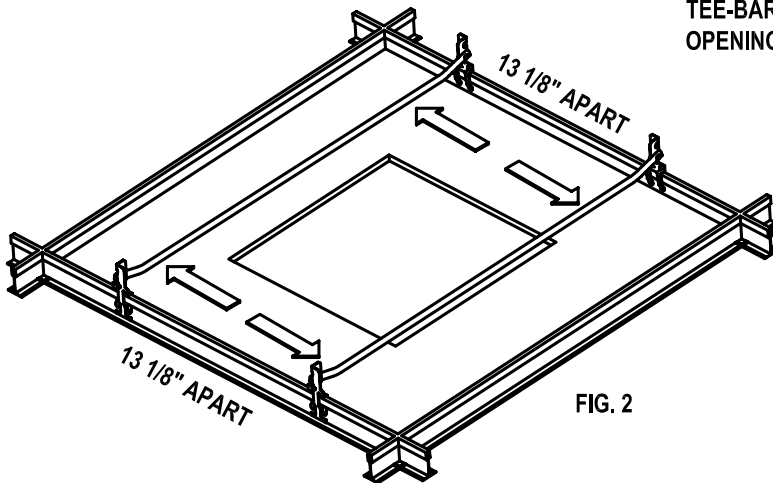


FIG. 2

2. LOCATE (2) B-LINE BA12 OR EQUIVALENT "ELECTRICAL BOX TEE-BAR FASTENERS" (BY OTHERS) ON EACH SIDE OF LUMINAIRE OPENING AS SHOWN. (FIG. 2)

NOTE:  
IT MIGHT BE NECESSARY TO INVERT THE HANGERS TO ACHIEVE THE PROPER LUMINAIRE HEIGHT. (FIG. 2A)

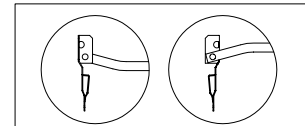


FIG. 2A

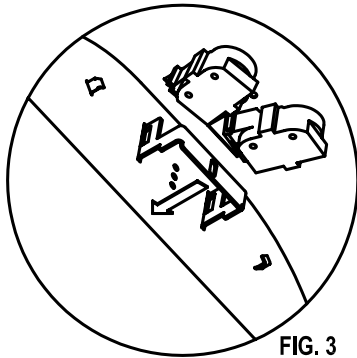


FIG. 3

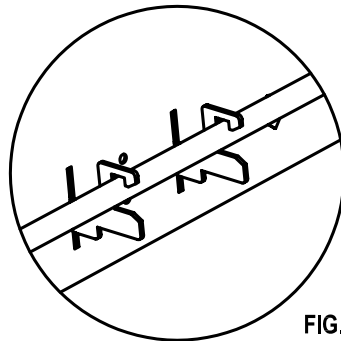


FIG. 4

3. LIFT LUMINAIRE INTO OPENING UNTIL FLUSH WITH CEILING TILE. INSERT SUPPORT FORK THROUGH SLOTS (FIG. 3) IN HOUSING (SOCKETS ARE DISENGAGED PRIOR TO SHIPMENT AND INSTALLATION), ENGAGE FORK OVER HANGER (FIG. 4), AND SECURE WITH SUPPLIED #8 SCREW. REPEAT PROCEDURE FOR THE OTHER SIDE.

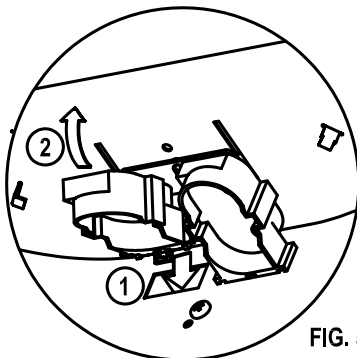


FIG. 5

4. INSTALL SOCKETS AS SHOWN (FIG. 5), CONNECT POWER TO LUMINAIRE VIA KNOCKOUT LOCATED ON TOP OF HOUSING AND INSTALL LAMPS (BY OTHERS).

CONTRACTOR IS RESPONSIBLE FOR ADEQUATELY REINFORCING WALLS AND/OR CEILINGS TO SUPPORT FIXTURE WEIGHT. FOCAL POINT, L.L.C. ACCEPTS NO RESPONSIBILITY FOR INADEQUATELY REINFORCED WALLS AND/OR CEILINGS.

THE INFORMATION CONTAINED IN THIS DRAWING IS THE SOLE PROPERTY OF FOCAL POINT LLC. ANY REPRODUCTION IN PART OR WHOLE WITHOUT THE WRITTEN PERMISSION OF FOCAL POINT LLC IS PROHIBITED. 2006 © FOCAL POINT LLC



INSTALLATION GUIDE NO.

ISO197

DWG. NO.

REV. B

ISO197 REV. B  
 FLU 11 FLANGE MOUNT

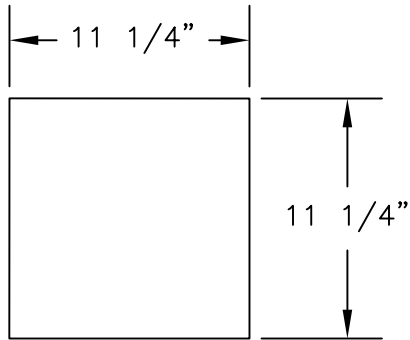


FIG. 1

1. CUT LUMINAIRE OPENING (11 1/4" X 11 1/4") IN THE DESIRED LOCATION BETWEEN STUDS IN DRYWALL. (FIG. 1)

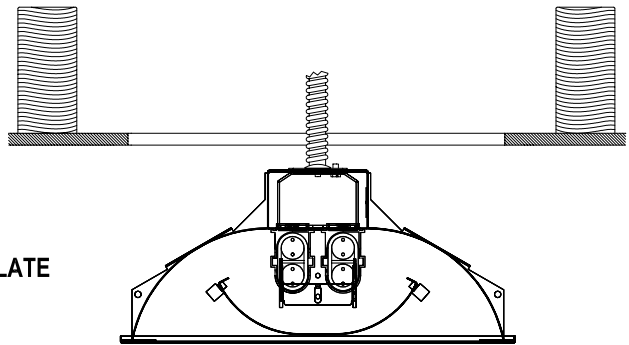


FIG. 2

2. CONNECT POWER TO LUMINAIRE VIA ACCESS PLATE LOCATED ON TOP OF HOUSING. (FIG. 2)

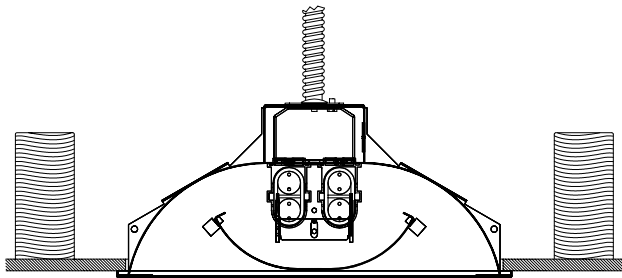


FIG. 3

3. LIFT LUMINAIRE (LAMPS REMOVED) INTO OPENING UNTIL FLUSH WITH DRYWALL CEILING AS SHOWN. (FIG. 3)

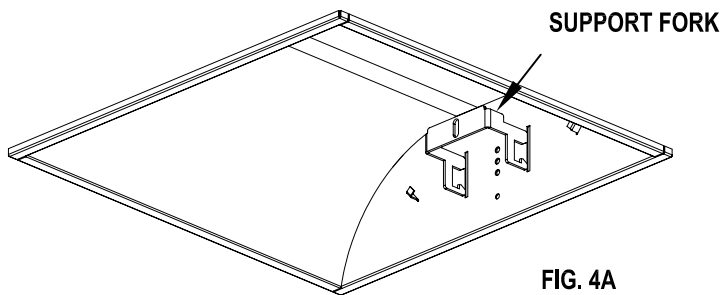


FIG. 4A

4. INSERT SUPPORT FORK THROUGH SLOTS IN HOUSING (SOCKETS ARE DISENGAGED PRIOR TO SHIPMENT AND INSTALLATION). PRESS FORK DOWN UNTIL CONTACT IS MADE WITH DRYWALL CEILING, AND SECURE WITH SUPPLIED #8 SCREW. (FIG.4A &4B) REPEAT PROCEDURE FOR THE OTHER SIDE.

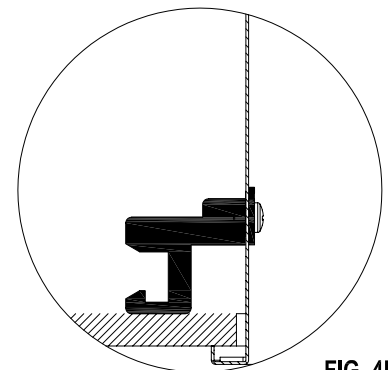


FIG. 4B

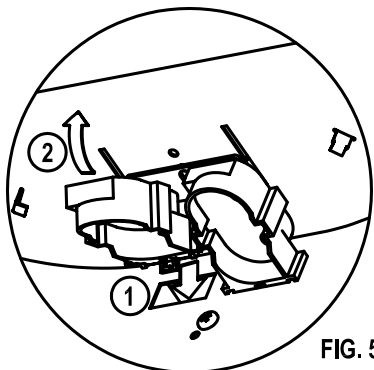


FIG. 5

5. INSTALL SOCKETS AS SHOWN (FIG. 5), AND INSTALL LAMPS (BY OTHERS).