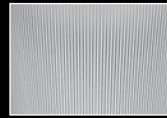


# Luna<sup>®</sup> 1x4

FLUORESCENT

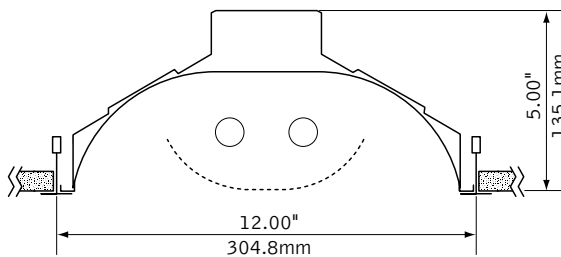


perforated



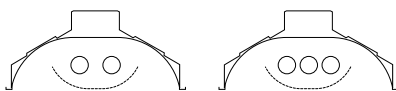
radial blade louver

## DIMENSIONAL DATA

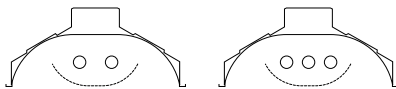


Overall height for ST luminaire is 5.50"

### lamping options



T8 LAMPS



T5/T5HO LAMPS

## FEATURES

- 1'x4' recessed indirect with perforated center basket.
- Reflector and end caps form seamless one-piece housing.
- High reflectance, low gloss Matte White finish controls glare and provides high efficiency.
- Perforated shield hinges open for quick and easy relamping.
- Optional radial blade louver offers a distinct look that highlights interior architecture.
- All luminaire combinations may be continuously row mounted.
- Luna<sup>®</sup> provides high angle uniform distribution ideal for general illumination.

## PERFORMANCE

PRODUCT OVERVIEW	
Lumen Output:	3440-6110lm
Wattage:	62-177W
Lamping:	T5, T5HO, T8

2-Lamp T8  
**59% Efficient**  
**1305 cd @ 0°**

Visit [focalpointlights.com](http://focalpointlights.com) for complete photometric data.

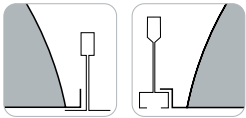
fixture:

project:

**MOUNTING INFORMATION**

**grid**

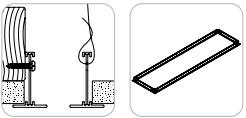
specify "G" for flat 9/16" and 15/16" tee or "ST" for 9/16" slot tee grid types.



"G" flat tee  
Luminaires may be installed in T-bar ceiling systems up to 1 11/16" high in T8 lamp configurations.  
Overall height for ST luminaire is 5.50".

**drywall frame kit**

specify "DF" Drywall Frame Kit for drywall ceiling conditions.



Use tie-wire or screws to secure frame kit.

cut out dimensions:  
1': Min: 12.25"  
          Max: 12.563"  
4': Min: 48.25"  
          Max: 48.563"

**SPECIFICATIONS**

**Construction**

One-piece 20 Ga. steel reflector and housing. 20 Ga. steel ends form finished housing. Lamps are shielded by detachable 22 Ga. steel perforated lamp shield with acrylic lens insert. Lamp shield is secured by four spring-pins allowing shield to hinge down for relamping. Optional radial blade louver: .75"H x 1" frequency fabricated of 20 Ga. steel with acrylic lens insert. Top access 20 Ga. steel ballast compartment. Weight: 16 lbs.

**Optic**

One-piece 20 Ga. steel reflectors finished in Matte Satin White powder coat.

**Electrical**

Electronic ballasts are thermally protected and have a Class "P" rating. Optional dimming ballasts available. Consult factory for dimming specifications and availability.

**Labels**

UL and cUL listed.

**Finish**

Polyester powder coat applied over a 5-stage pre-treatment.

**ORDERING**

<b>Luminaire Series</b>	<b>FLU</b>	_____
Luna	FLU	
<b>Nominal Size</b>	_____	
1' x 4'	14	
<b>Shielding</b>	_____	
Perforated Shield	PS	
Radial Blade Louver	RLP	
<b>Lamp Quantity</b>	_____	
Two Lamps	2	
Three Lamp	3	
<b>Lamp Type</b>	_____	
T8	T8	
(1 11/16" maximum grid height)		
T5	T5	
T5HO	T5HO	
<b>Circuit</b>	_____	
Single Circuit	1C	
Dual Circuit	2C	
<b>Voltage</b>	_____	
120 Volt	120	
277 Volt	277	
347 Volt	347	
(Consult factory for dimming options)		
UNV Volt	UNV	
(Cannot be specified with EM option)		
<b>Ballast</b>	_____	
Electronic Program Start <10% THD	S	
0-10V	D7	
Lutron 1% 3-wire	DH	
Lutron 1% H-Series	DK	
<b>Mounting</b>	_____	
Drywall Frame Kit	F	
(Cut out dimensions: Min: 12.25" Max: 12.563" Min: 48.25" Max: 48.563")		
Grid	G	
Slot Tee	ST	
Surface Mount	SM	
<b>Factory Options</b>	_____	
Air Return	AR	
Chicago Plenum	CP	
Dust Cover	DC	
Emergency Battery Pack*	EM	
Positional Clip	EQ	
HLR/GLR Fuse	FU	
6' New York City Flex Whip	FNY	
6' Flex Whip	FW	
Include 3000K Lamp*	L830	
Include 3500K Lamp*	L835	
Include 4100K Lamp*	L841	
Ballast Saving Tandem*	BST	
Labor Saving Master Satellite*	LS	
Separate Circuit Tandem*	SCT	
<b>Finish</b>	<b>WH</b>	_____
Matte Satin White	WH	



# Luna<sup>®</sup> 1x4

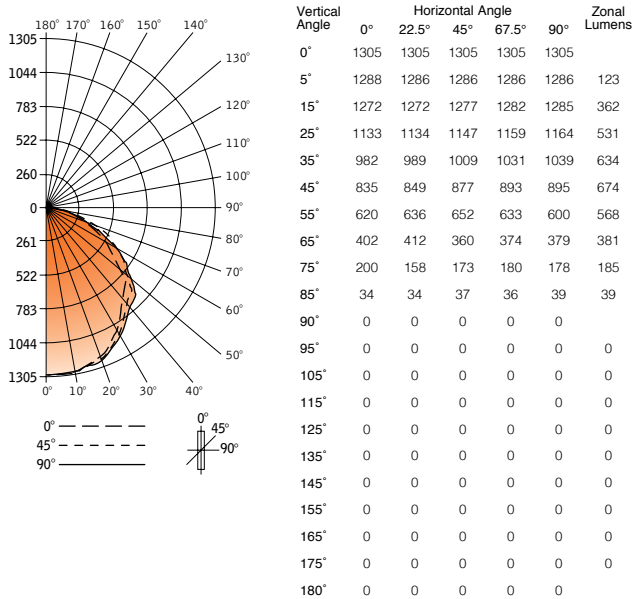
FLUORESCENT

## FLU-14-B-2-T8-E-120-G-PS-WH

Filename: FLU142T8PS.IES  
 Test #: 9880.0

Lumens: 3498lm  
 Efficiency 59%

### CANDLEPOWER DISTRIBUTION



### LUMEN SUMMARY

Zone	Lumens	% Lamp	% Fixture
0-30°	1016	17.2	29.0
0-40°	1650	28.0	47.2
0-60°	2892	49.0	82.7
0-90°	3498	59.3	100.0
<b>Total Luminaire 0-180°</b>	<b>3498</b>	<b>59.3</b>	<b>100.0</b>

### LUMINANCE DATA (CD/M<sup>2</sup>)

Vertical Angle	0°	45°	90°
45°	3513	3690	3766
55°	3216	3382	3112
65°	2830	2534	2668
75°	2299	1989	2046
85°	1161	1263	1331

### CO-EFFICIENTS OF UTILIZATION

Floor Ceiling Wall	80				70			20 50		30		10		00
	70	50	30	10	70	50	10	50	10	50	10	50	10	00
RCR 0	71	71	71	71	69	69	69	66	66	63	63	60	60	59
1	65	63	61	59	64	62	58	59	56	57	54	55	53	51
2	60	56	52	49	59	55	48	53	47	51	46	49	45	44
3	55	50	45	42	54	49	41	47	41	45	40	44	39	38
4	51	44	39	36	49	43	35	42	35	41	34	39	34	33
5	46	39	34	30	45	39	30	37	30	36	30	35	29	28
6	43	35	30	26	42	35	26	33	26	33	26	32	26	24
7	39	32	26	23	38	31	23	30	23	29	23	28	22	21
8	36	28	23	20	35	28	20	27	20	26	20	26	19	18
9	33	25	20	17	32	25	17	24	17	24	17	23	17	16
10	31	23	18	15	30	23	15	22	15	21	15	21	15	14

Numbers indicate percentage values of reflectivity.

Go to [www.focalpointlights.com](http://www.focalpointlights.com) for additional photometric data.