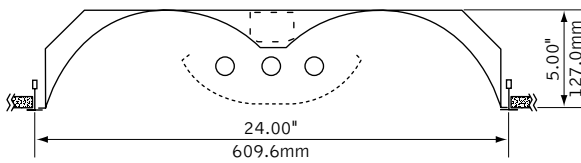


perforated



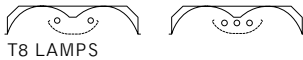
radial blade louver

DIMENSIONAL DATA

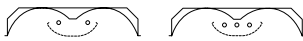


Overall height for ST luminaire is 5.50"

lamping options



T8 LAMPS



T5/T5HO LAMPS

FEATURES

2'x4' recessed indirect with perforated center basket.

Reflector and end caps form seamless one-piece housing.

High reflectance, low gloss Matte White finish controls glare and provides high efficiency.

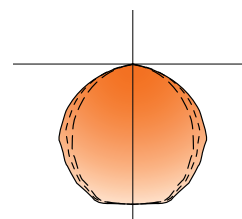
Perforated shield hinges open for quick and easy relamping.

Optional radial blade louver offers a distinct look that highlights interior architecture.

All luminaire combinations may be continuously row mounted.

Luna[®] provides high angle uniform distribution ideal for general illumination.

PERFORMANCE



2-Lamp T8
72% Efficient
1528 cd @ 10°

PRODUCT OVERVIEW

Lumen Output: 3966-10080lm
 Wattage: 62-177W
 Lamping: T5, T5HO, T8

Visit focalpointlights.com for complete photometric data.

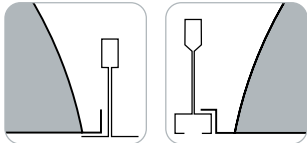
fixture:

project:

MOUNTING INFORMATION

grid

specify "G" for flat 9/16" and 15/16" tee or "ST" for 9/16" slot tee grid types.



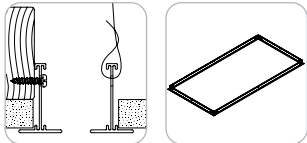
"G" flat tee
Luminaires may be installed in T-bar ceiling systems up to 1 11/16" high in T8 lamp configurations.

"ST" slot tee
Luminaires may be installed in T-bar ceiling systems up to 1 11/16" high in T8 lamp configurations.

Overall height for ST luminaire is 5.50".

drywall frame kit

specify "DF" Drywall Frame Kit for drywall ceiling conditions.



Use tie-wire or screws to secure frame kit.

cut out dimensions:
2': Min: 24.25"
Max: 24.563"
4': Min: 48.25"
Max: 48.563"

SPECIFICATIONS

Construction

One-piece 20 Ga. steel reflector and housing. 20 Ga. steel ends form finished housing. Lamps are shielded by detachable 22 Ga. steel perforated lamp shield with acrylic lens insert. Lamp shield is secured by four spring-pins allowing shield to hinge down for relamping. Optional radial blade louver: .75"H x 1" frequency fabricated of 20 Ga. steel with acrylic lens insert. Top access 20 Ga. steel ballast compartment. Weight: 29 lbs.

Optic

One-piece 20 Ga. steel reflectors finished in Matte Satin White powder coat.

Electrical

Electronic ballasts are thermally protected and have a Class "P" rating. Optional dimming ballasts available. Consult factory for dimming specifications and availability.

Labels

UL and cUL listed.

Finish

Polyester powder coat applied over a 5-stage pre-treatment.

ORDERING

Luminaire Series	FLU	<hr/>
Luna	FLU	
Nominal Size		<hr/>
2' x 4'	24	
Shielding		<hr/>
Perforated Shield	PS	
Radial Blade Louver	RLP	
Lamp Quantity		<hr/>
Two Lamp	2	
Three Lamp	3	
Lamp Type		<hr/>
T8	T8	
(1 11/16" maximum grid height)		
T5	T5	
T5HO	T5HO	
Circuit		<hr/>
Single Circuit	1C	
Dual Circuit	2C	
Voltage		<hr/>
120 Volt	120	
277 Volt	277	
347 Volt	347	
(Consult factory for dimming options)		
UNV Volt	UNV	
(Cannot be specified with EM option)		
Ballast		<hr/>
Electronic Program Start <10% THD	S	
0-10V	D7	
Lutron 1% 3-wire	DH	
Lutron 1% H-Series	DK	
Mounting		<hr/>
Drywall Frame Kit	F	
(Cut out dimensions: Min: 24.25" Max: 24.563" Min: 48.25" Max: 48.563")		
Grid	G	
Slot Tee	ST	
Surface Mount	SM	
Factory Options		<hr/>
Air Return	AR	
Chicago Plenum	CP	
Dust Cover	DC	
Emergency Battery Pack*	EM	
Positional Clip	EQ	
HLR/GLR Fuse	FU	
6' New York City Flex Whip	FNY	
6' Flex Whip	FW	
Include 3000K Lamp*	L830	
Include 3500K Lamp*	L835	
Include 4100K Lamp*	L841	
Ballast Saving Tandem*	BST	
Labor Saving Master Satellite*	LS	
Separate Circuit Tandem*	SCT	
Finish		<hr/>
Matte Satin White	WH	



Luna[®] 2x4

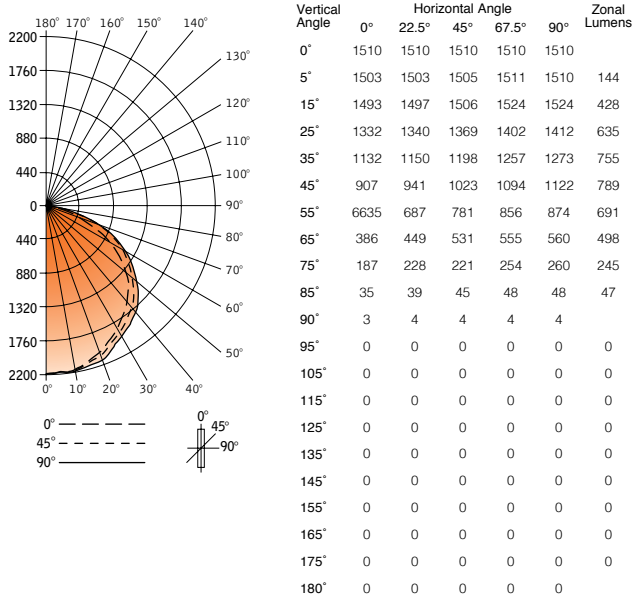
FLUORESCENT

FLU-24-B-2-T8-E-120-G-PS-WH

Filename: FLU242T8PS.IES
 Test #: 11161.0

Lumens: 4231lm
 Efficiency 72%

CANDLEPOWER DISTRIBUTION



LUMEN SUMMARY

Zone	Lumens	% Lamp	% Fixture
0-30°	1206	20.4	28.5
0-40°	1934	33.2	46.4
0-60°	3440	58.3	81.3
0-90°	4231	71.7	100.0
Total Luminaire 0-180°	4231	71.7	100.0

LUMINANCE DATA (CD/M²)

Vertical Angle	0°	45°	90°
45°	1825	2059	2258
55°	1575	1937	2168
65°	1300	1788	1885
75°	1028	1215	1429
85°	571	735	784

CO-EFFICIENTS OF UTILIZATION

Floor Ceiling Wall	80				70			20 50		30		10		00
	70	50	30	10	70	50	10	50	10	50	10	50	10	00
RCR 0	85	85	85	85	83	83	83	80	80	76	76	73	73	72
1	79	76	73	71	77	74	69	71	67	68	65	66	63	62
2	72	67	63	59	71	66	58	63	57	61	56	59	54	53
3	67	60	54	50	65	58	49	56	49	54	48	53	47	45
4	61	53	47	43	59	52	42	50	42	49	41	47	41	39
5	56	47	41	36	54	46	36	45	36	43	35	42	35	33
6	51	42	36	31	50	41	31	40	31	39	31	38	30	29
7	47	38	32	27	46	37	27	36	27	35	27	34	27	25
8	43	34	28	24	42	33	24	32	23	31	23	31	23	22
9	40	30	24	20	39	30	20	29	20	28	20	27	20	19
10	37	28	22	18	36	27	18	26	18	26	18	25	18	16

Numbers indicate percentage values of reflectivity.

Go to www.focalpointlights.com for additional photometric data.