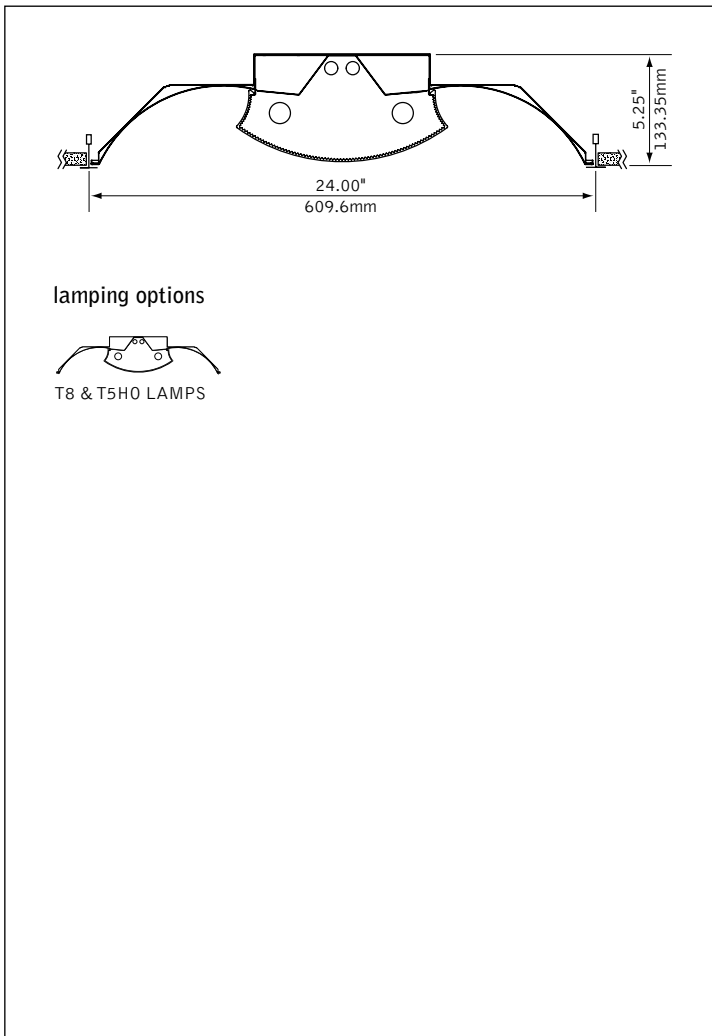


Apollo 1 2x4

FLUORESCENT RECESSED PATIENT BED LIGHT



DIMENSIONAL DATA



FEATURES

2'x4' recessed patient bed light with exam function.

Combines both ambient and patient exam lighting in a clean architectural design.

Two T8 lamps provide reading and ambient illumination.

Two T5HO lamps provide an average 80 footcandles for exam.

Separate circuiting provides individual control of ambient and exam function.

Sealed optical compartment for easy cleaning and maintenance.

Extruded acrylic diffuser provides low brightness and even illumination.

PERFORMANCE

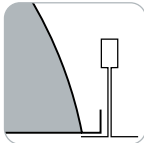
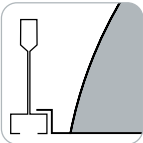
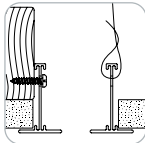
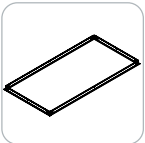
PRODUCT OVERVIEW

Lumen Output:	4736-10201lm
Wattage:	62-180W
Lamping:	T5HO, T8

2-Lamp T8/T5HO
64% Efficient
3433 cd @ 15°

Visit focalpointlights.com for complete photometric data.

MOUNTING INFORMATION

<p>grid</p> <p>specify "G" for flat 9/16" and 15/16" tee or "ST" for 9/16" slot tee grid types.</p> <div style="display: flex; justify-content: space-around;">   </div> <p>"G" flat tee Luminaires cannot be installed in T-bar ceiling systems over 1.5" high in T8 lamp configurations.</p> <p>"ST" slot tee</p>	<p>drywall frame kit</p> <p>specify "DF" Drywall Frame Kit for drywall ceiling conditions.</p> <div style="display: flex; justify-content: space-around;">   </div> <p>Use tie-wire or screws to secure frame kit.</p> <p>cut out dimensions: 2': Min: 24.25" Max: 24.563" 4': Min: 48.25" Max: 48.563"</p>
--	--

SPECIFICATIONS

Construction

20 Ga. steel housing. Lamp compartment is sealed and enclosed by detachable extruded acrylic diffuser. Bottom access 20 Ga. steel ballast compartment. Weight: 32 lbs.

Optic

One-piece 20 Ga. steel side reflectors finished in Matte Satin White powder coat. 20 Ga. steel center reflector finished in High reflectance White.

Electrical

Ballasts are thermally protected and have a Class "P" rating. Optional low voltage switching available. Low Voltage Controller is designed to function seamlessly alongside delicate hospital electronics. It emits no electromagnetic noise that either patient or equipment will detect. Any number of momentary contact switches can access two circuit loads. Both circuits can be switched in a sequence by using one switch or independently using separate switches. This is achieved by using jumpers conveniently located on the Low Voltage side of the housing. Load capacity: Dual (2) 120-277V Circuits at 5 Amps each load. Switch voltage: <5V (<.5, micro amps). Switch types: sequential (load 1,2, 1&2, off); individual (each load independently). Optional 7W or 9W night light circuit is available with magnetic ballast. Consult factory for dimming specifications and availability.

Labels

UL and cUL listed.

Finish

Polyester powder coat applied over a 5-stage pre-treatment. Optional Anti-Microbial paint finish available.

ORDERING

Luminaire Series	FMA1	FMA1
Apollo 1	FMA1	
Nominal Size	24	24
2' x 4'	24	
Lamp Quantity	22	22
Two Lamp T8 Ambient	22	
Two Lamp T5HO Exam		
Lamp Type	T8T5HO	T8T5HO
T8 & T5HO	T8T5HO	
Circuit	2C	2C
Dual Circuit	2C	
Voltage		
120 Volt	120	
277 Volt	277	
347 Volt	347	
(Consult factory for availability)		
120/277 UNV Volt	UNV	
(Cannot be specified with EM option)		
Ballast	S	S
Electronic Program Start <10% THD	S	
Mounting		
Drywall Frame Kit	F	
(Cut out dimensions: Min: 24.25"/Max: 24.563" Min: 48.25"/Max: 48.563")		
Grid Mount	G	
Slot Tee	ST	
Factory Options		
Chicago Plenum	CP	
Emergency Battery Pack*	EM	
(Not available with Night Light)		
Positional Clips	EQ	
Single Fuse and Holder	FU	
Low Voltage Controller*	LVC	
Night Light (PL7 or PL9)	NL	
Include 3000K Lamp*	L830	
Include 3500K Lamp*	L835	
Include 4100K Lamp*	L841	
Finish		
Matte Satin White	WH	
Matte Satin White Anti-Microbial	WHA	

Apollo 1 2x4

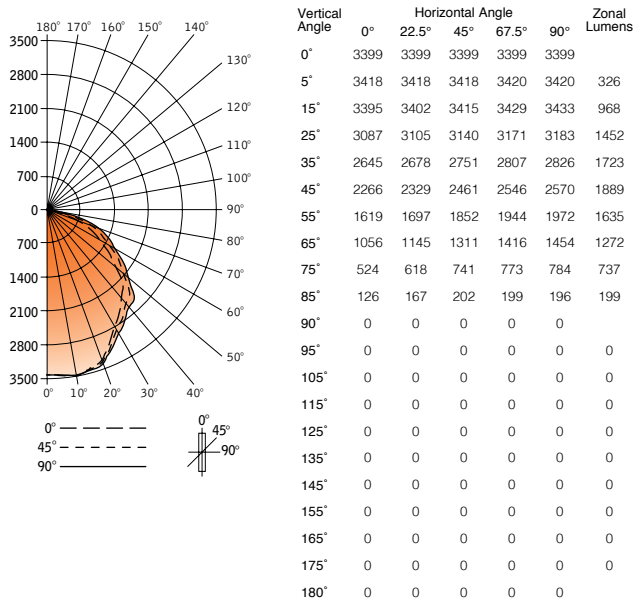
FLUORESCENT -AMBIENT & EXAM

FMA1-24-22-T8T5HO-2C-120-S-G-WH

Filename: FMA124T8T5HO.IES
Test #: 12226.0

Lumens: 10201lm
Efficiency: 64%

CANDLEPOWER DISTRIBUTION



LUMEN SUMMARY

Zone	Lumens	% Lamp	% Fixture
0-30°	2747	17.3	26.9
0-40°	4470	28.1	43.8
0-60°	7993	50.3	78.4
0-90°	10201	64.2	100.0
Total Luminaire 0-180°	10201	64.2	100.0

LUMINANCE DATA (CD/M²)

Vertical Angle	0°	45°	90°
45°	4560	4952	5171
55°	4016	4594	4892
65°	3555	4414	4895
75°	2881	4074	4310
85°	2057	3298	3200

CO-EFFICIENTS OF UTILIZATION

Floor Ceiling Wall	80				70				20				50				30				10				00			
	70	50	30	10	70	50	10	10	50	10	10	10	50	10	10	10	50	10	10	10	50	10	10	10	50	10	10	10
RCR 0	76	76	76	76	75	75	75	75	71	71	71	71	68	68	68	68	65	65	65	65	64	64	64	64	64	64	64	
1	70	67	65	62	68	66	61	63	59	61	58	58	56	54	49	52	47	46	46	46	46	46	46	46	46	46	46	
2	64	59	55	51	63	58	51	56	50	54	49	52	47	46	41	46	41	46	41	46	41	46	41	46	41	46	41	
3	59	52	47	43	57	51	43	49	42	48	41	46	41	46	41	46	41	46	41	46	41	46	41	46	41	46	41	
4	54	46	41	37	52	46	37	44	36	43	36	43	36	43	36	43	36	43	36	43	36	43	36	43	36	43	36	
5	49	41	35	31	48	40	31	39	31	38	30	36	30	36	30	36	30	36	30	36	30	36	30	36	30	36	30	
6	45	37	31	27	44	36	27	35	27	34	26	33	26	33	26	33	26	33	26	33	26	33	26	33	26	33	26	
7	42	33	27	23	40	32	23	31	23	30	23	30	23	30	23	30	23	30	23	30	23	30	23	30	23	30	23	
8	38	29	24	20	37	29	20	28	20	27	20	27	20	27	20	27	20	27	20	27	20	27	20	27	20	27	20	
9	35	26	21	17	34	26	17	25	17	24	17	24	17	24	17	24	17	24	17	24	17	24	17	24	17	24	17	
10	33	24	19	15	32	24	15	23	15	22	15	22	15	22	15	22	15	22	15	22	15	22	15	22	15	22	15	

Numbers indicate percentage values of reflectivity.

Go to www.focalpointlights.com for additional photometric data.

Apollo 1 2x4

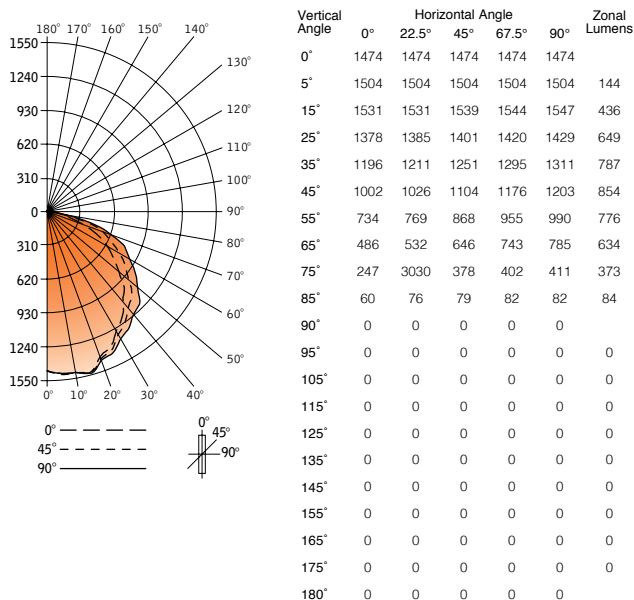
FLUORESCENT -AMBIENT ONLY

FMA1-24-22-T8T5HO-2C-120-S-G-WH (T5HO LAMPS OFF)

Filename: FMA124T8.IES
Test #: 12227.0

Lumens: 4736lm
Efficiency: 80%

CANDLEPOWER DISTRIBUTION



LUMEN SUMMARY

Zone	Lumens	% Lamp	% Fixture
0-30°	1229	20.8	25.9
0-40°	2016	34.2	42.6
0-60°	3644	61.8	76.9
0-90°	4736	80.3	100.0
Total Luminaire 0-180°	4736	80.3	100.0

LUMINANCE DATA (CD/M²)

Vertical Angle	0°	45°	90°
45°	2016	2222	2421
55°	1821	2153	2456
65°	1636	2175	2643
75°	1358	2078	2259
85°	980	1290	1339

CO-EFFICIENTS OF UTILIZATION

Floor Ceiling Wall	80				70				20				50				30				10				00			
	70	50	30	10	70	50	10	10	50	10	10	10	50	10	10	10	50	10	10	10	50	10	10	10	50	10	10	10
RCR 0	96	96	96	96	93	93	93	93	89	89	89	89	85	85	85	85	82	82	82	82	80	80	80	80	80	80	80	
1	88	84	81	78	86	82	76	79	74	76	72	73	70	76	72	73	70	76	72	73	70	76	72	73	70	76	72	
2	80	74	68	64	78	72	63	69	62	67	60	64	59	64	59	64	59	64	59	64	59	64	59	64	59	64	59	
3	73	65	59	53	71	64	53	61	52	59	51	57	50	57	51	57	50	57	51	57	50	57	51	57	50	57	51	
4	67	58	51	45	65	56	45	54	44	53	44	51	43	51	43	51	43	51	43	51	43	51	43	51	43	51	43	
5	61	51	43	38	59	50	38	48	37	46	37	45	37	45	37	45	37	45	37	45	37	45	37	45	37	45	37	
6	56	45	38	33	54	44	33	43	32	43	32	43	32	43	32	43	32	43	32	43	32	43	32	43	32	43	32	
7	52	41	33	28	50	40	28	39	28	37	28	36	28	37	28	36	28	37	28	36	28	37	28	36	28	37	28	
8	47	36	29	25	46	36	24	35	24	34	24	33	24	34	24	33	24	34	24	33	24	34	24	33	24	34	24	
9	44	32	26	21	42	32	21	31	21	30	21	29	21	30	21	29	21	30	21	29	21	30	21	29	21	30	21	
10	40	29	23	19	39	29	19	28	18	27	18	27	18	27	18	27	18	27	18	27	18	27	18	27	18	27	18	

Numbers indicate percentage values of reflectivity.

Go to www.focalpointlights.com for additional photometric data.