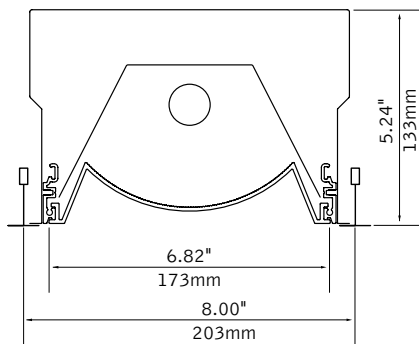


apollo 8 with exam function

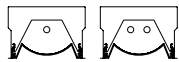


apollo 1 & 2 companion

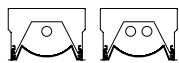
## DIMENSIONAL DATA



### lamping



T5/T5HO



T8

## FEATURES

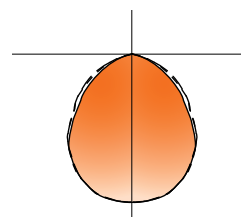
8" wide recessed fluorescent luminaire available in 2', 3' & 4' lengths.

1 or 2 lamp T5, T5HO or T8 lamps provide ambient illumination in a clean architectural design.

Sealed optical compartment for easy cleaning and maintenance.

Radial extruded acrylic diffuser with internal ribs provides low brightness, even illumination and ease of cleaning.

## PERFORMANCE



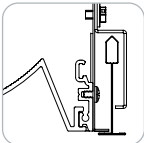
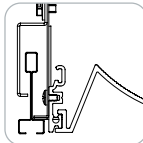
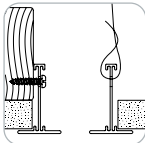
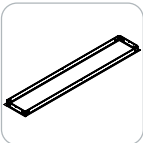
1-Lamp T5  
**88% Efficient**  
**1068 cd @ 0°**

### PRODUCT OVERVIEW

Lumen Output: 1182-5503lm  
 Wattage: 44-96W  
 Lamping: T5, T5HO, T8

Visit [focalpointlights.com](http://focalpointlights.com) for complete photometric data.

**MOUNTING INFORMATION**

<p><b>grid</b></p> <p>specify "G" for flat 9/16" and 15/16" tee or "ST" for 9/16" slot tee grid types.</p>		<p><b>drywall frame kit</b></p> <p>specify "DF" Drywall Frame Kit for drywall ceiling conditions.</p>	
			
<p>"G" flat tee Luminaires may be installed in T-bar ceiling systems up to 1 11/16" high.</p>	<p>"ST" slot tee Luminaires may be installed in T-bar ceiling systems up to 1 11/16" high.</p>	<p>Use tie-wire or screws to secure frame kit.</p>	<p>cut out dimensions: 8": Min: 8.3125" Max: 8.625" 4": Min: 4.8325" Max: 4.86875"</p>

**SPECIFICATIONS**

**Construction**

20 Ga. steel housing. Lamp compartment is sealed and enclosed by detachable extruded acrylic diffuser. Bottom access 20 Ga. steel ballast compartment. Weight: 32 lbs.

**Optic**

One-piece 20 Ga. steel side reflectors finished in Matte Satin White powder coat. 20 Ga. steel center reflector finished in High reflectance White.

**Electrical**

Ballasts are thermally protected and have a Class "P" rating. Consult factory for dimming specifications and availability.

**Labels**

UL and cUL listed.

**Finish**

Polyester powder coat applied over a 5-stage pre-treatment. Optional Anti-Microbial paint finish available.

**ORDERING**

Luminaire Series	FMA8
Apollo 8	FMA8
<b>Nominal Size</b>	
8" x 2'	82
8" x 3'	83
8" x 4'	84
<b>Shielding</b>	<b>RA</b>
Radial Acrylic Lens	RA
<b>Lamp Quantity</b>	
1 Lamp	1
2 Lamp	2
<b>Lamp Type</b>	
T5	T5
T5HO	T5HO
T8	T8
<b>Circuit</b>	
Single Circuit	1C
Dual Circuit	2C
<b>Voltage</b>	
120 Volt	120
277 Volt	277
UNV Volt	UNV
<small>(Cannot be specified with EM option)</small>	
<b>Ballast</b>	
Electronic Program Start <10% THD	S
0-10V	D7
Lutron 1% 3-wire	DH
Lutron 1% H-Series	DK
<b>Mounting</b>	
Drywall Frame Kit	F
<small>(Cut out dimensions: Min: 8.3125"/Max: 8.625" Min: 4.8325"/Max: 4.86875")</small>	
Grid Mount	G
Slot Tee	ST
<b>Factory Options</b>	
Chicago Plenum	CP
Emergency Battery Pack*	EM
Positional Clips	EQ
Single Fuse and Holder	FU
6' New York City Flex Whip	FNY
6' Flex Whip	FW
Separate Circuit*	SC
Separate Circuit Tandem*	SCT
Labor Saving Master Satellite*	LS
Ballast Saving Tandem*	BST
Include 3000K Lamp*	L830
Include 3500K Lamp*	L835
Include 4100K Lamp*	L841
<b>Finish</b>	
Matte Satin White	WH
Matte Satin White Anti-Microbial	WHA

# Apollo8

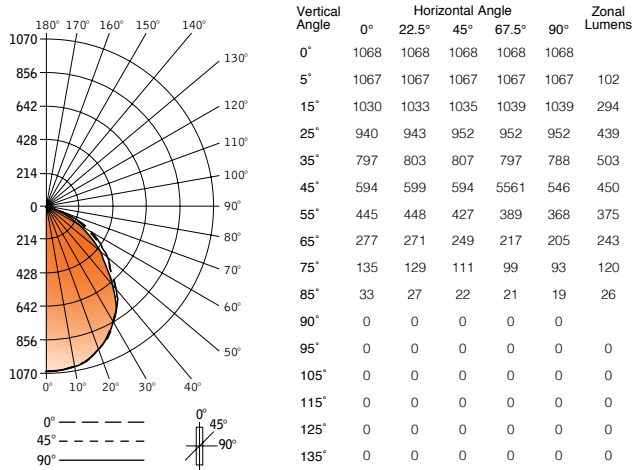
FLUORESCENT - AMBIENT & EXAM

## FMA8-84-RA-1-T5-1C-UNV-SG-WH

Filename: FMA884RA1T5.IES  
Test #: 16358

Lumens: 2550lm  
Efficiency: 88%

### CANDLEPOWER DISTRIBUTION



### LUMEN SUMMARY

Zone	Lumens	% Lamp	% Fixture
0-30°	834	28.8	32.7
0-40°	1337	46.1	52.4
0-60°	2161	74.5	84.8
0-90°	2550	87.9	100.0
<b>Total Luminaire 0-180°</b>	<b>2550</b>	<b>87.9</b>	<b>100.0</b>

### LUMINANCE DATA (CD/M²)

Vertical Angle	0°	45°	90°
45°	3927	3927	3610
55°	3627	3480	3000
65°	3064	2755	2268
75°	2439	2005	1680
85°	1770	1180	1019

### CO-EFFICIENTS OF UTILIZATION

Floor Ceiling Wall	80				70			20		30		10		00
	70	50	30	10	70	50	10	50	10	50	10	50	10	00
RCR 0	100	100	100	100	100	100	100	98	98	94	94	90	90	88
1	97	94	90	88	95	92	86	88	83	85	81	82	79	77
2	90	84	78	74	88	82	73	79	71	76	70	74	68	67
3	83	75	68	63	81	73	63	71	62	69	61	66	60	58
4	76	67	60	55	75	66	54	64	54	62	53	60	52	51
5	70	60	53	47	68	59	47	57	46	55	46	54	46	44
6	65	54	47	41	63	53	41	52	41	50	41	49	40	39
7	60	49	41	36	58	48	36	47	36	45	36	44	35	34
8	55	44	37	32	54	43	32	42	32	41	31	40	31	30
9	51	40	32	28	50	39	28	38	28	37	27	36	27	26
10	47	36	29	25	46	36	25	35	24	34	24	33	24	23

Numbers indicate percentage values of reflectivity.

Go to [www.focalpointlights.com](http://www.focalpointlights.com) for additional photometric data.

# Apollo8

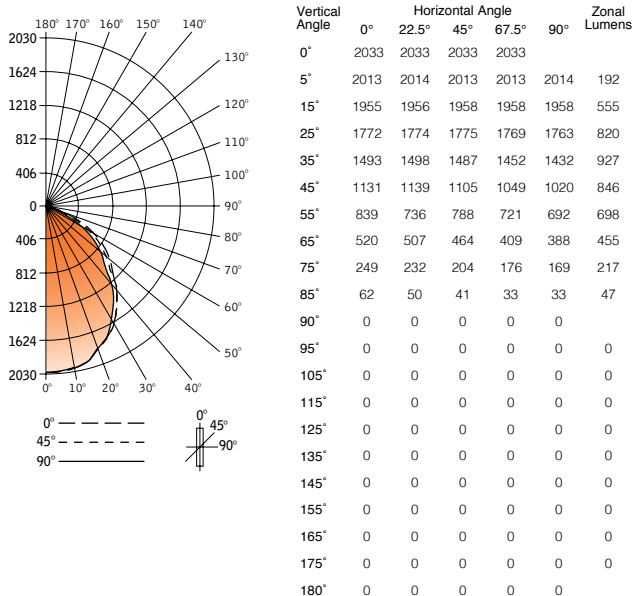
FLUORESCENT - AMBIENT ONLY

## FMA8-84-RA-2-T5-1C-UNV-SG-WH

Filename: FMA884RA2T5.IES  
Test #: 16359

Lumens: 4756lm  
Efficiency: 82%

### CANDLEPOWER DISTRIBUTION



### LUMEN SUMMARY

Zone	Lumens	% Lamp	% Fixture
0-30°	1567	27.0	32.9
0-40°	2493	43.0	52.4
0-60°	4037	69.6	84.9
0-90°	4756	82.0	100.0
<b>Total Luminaire 0-180°</b>	<b>4756</b>	<b>82.0</b>	<b>100.0</b>

### LUMINANCE DATA (CD/M²)

Vertical Angle	0°	45°	90°
45°	7478	7306	6744
55°	6839	6423	5640
65°	5752	5133	4292
75°	4498	3685	3053
85°	3326	2199	1770

### CO-EFFICIENTS OF UTILIZATION

Floor Ceiling Wall	80				70			20		30		10		00
	70	50	30	10	70	50	10	50	10	50	10	50	10	00
RCR 0	98	98	98	98	95	95	95	91	91	87	87	84	84	82
1	91	87	84	82	89	86	80	82	78	79	76	76	73	72
2	84	78	73	69	82	76	68	74	67	71	65	69	64	62
3	77	70	64	59	75	69	59	66	58	64	57	62	56	54
4	71	63	56	51	70	62	51	60	50	58	50	56	49	47
5	66	56	49	44	64	55	44	53	43	52	43	50	43	41
6	61	50	44	39	59	50	39	48	38	47	38	46	38	36
7	56	46	41	34	55	45	34	44	34	42	33	41	33	32
8	52	41	34	30	50	40	30	39	29	38	29	37	29	28
9	48	37	30	26	46	36	26	35	26	35	26	34	25	24
10	44	34	27	23	43	33	23	32	23	32	23	31	23	21

Numbers indicate percentage values of reflectivity.

Go to [www.focalpointlights.com](http://www.focalpointlights.com) for additional photometric data.

# Apollo8

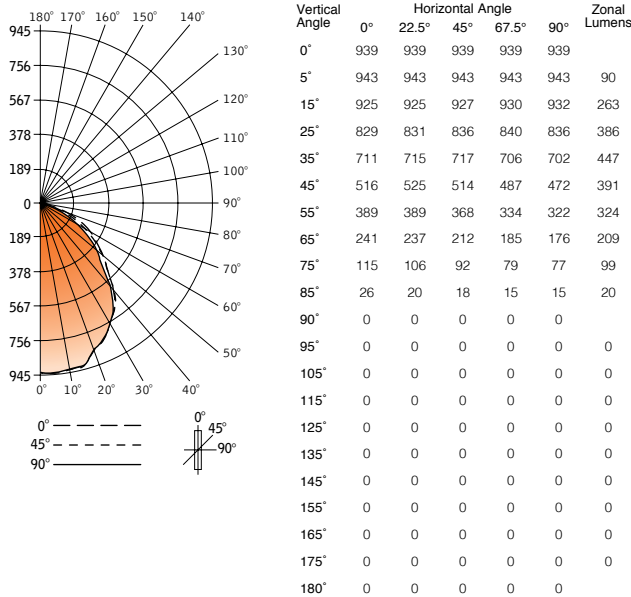
FLUORESCENT

## FMA8-84-RA-1-T8-1C-UNV-SG-WH

Filename: FMA884RA1T8.IES  
Test #: 16357

Lumens: 2229lm  
Efficiency: 76%

### CANDLEPOWER DISTRIBUTION



### LUMEN SUMMARY

Zone	Lumens	% Lamp	% Fixture
0-30°	739	25.1	33.2
0-40°	1186	40.2	53.2
0-60°	1902	64.5	85.3
0-90°	2229	75.6	100.0
<b>Total Luminaire 0-180°</b>	<b>2229</b>	<b>75.6</b>	<b>100.0</b>

### LUMINANCE DATA (CD/M²)

Vertical Angle	0°	45°	90°
45°	3412	3398	3121
55°	3171	3000	2625
65°	2666	2345	1947
75°	2077	1662	1391
85°	1395	966	805

### CO-EFFICIENTS OF UTILIZATION

Floor Ceiling Wall	80				70			20		30		10		00
	70	50	30	10	70	50	10	50	10	50	10	50	10	00
RCR 0	90	90	90	90	88	88	88	84	84	80	80	77	77	76
1	84	81	78	75	82	79	74	76	72	73	70	70	68	66
2	77	72	68	64	75	71	63	68	62	66	60	63	59	58
3	71	65	59	55	70	63	54	61	53	59	53	57	52	50
4	66	58	52	47	64	57	47	55	47	53	46	52	45	44
5	61	52	45	41	59	51	41	49	40	48	40	47	39	38
6	56	47	40	36	55	46	36	45	35	43	35	42	35	33
7	52	42	36	32	50	42	31	40	31	39	31	38	31	29
8	48	38	32	28	47	37	28	36	27	36	27	35	27	26
9	44	34	28	24	43	34	24	33	24	32	24	31	24	22
10	41	31	25	21	40	31	21	30	21	29	21	29	21	20

Numbers indicate percentage values of reflectivity.

Go to [www.focalpointlights.com](http://www.focalpointlights.com) for additional photometric data.

# Apollo8

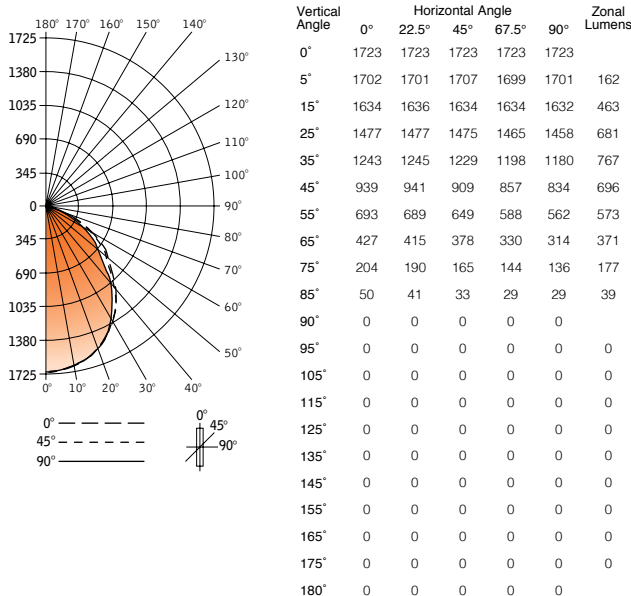
FLUORESCENT

## FMA8-84-RA-2-T8-1C-UNV-SG-WH

Filename: FMA884RA2T8.IES  
Test #: 16356

Lumens: 3928lm  
Efficiency: 67%

### CANDLEPOWER DISTRIBUTION



### LUMEN SUMMARY

Zone	Lumens	% Lamp	% Fixture
0-30°	1307	22.1	33.3
0-40°	2073	35.1	52.8
0-60°	3342	56.6	85.1
0-90°	3928	66.6	100.0
<b>Total Luminaire 0-180°</b>	<b>3928</b>	<b>66.6</b>	<b>100.0</b>

### LUMINANCE DATA (CD/M²)

Vertical Angle	0°	45°	90°
45°	6208	6010	5514
55°	5649	5290	4581
65°	4724	4182	3474
75°	3685	2980	2457
85°	2682	1770	1556

### CO-EFFICIENTS OF UTILIZATION

Floor Ceiling Wall	80				70			20		30		10		00
	70	50	30	10	70	50	10	50	10	50	10	50	10	00
RCR 0	79	79	79	79	77	77	77	74	74	71	71	68	68	67
1	74	71	69	66	72	70	65	67	63	64	61	62	60	58
2	68	63	59	56	66	62	56	60	54	58	53	56	52	51
3	63	57	52	48	61	56	48	54	47	52	46	50	46	44
4	58	51	46	42	57	50	41	47	41	47	40	46	40	39
5	53	45	40	36	52	45	36	43	35	42	35	41	35	33
6	49	41	36	32	48	40	31	39	31	38	31	37	31	29
7	46	37	32	28	44	37	28	36	27	35	27	34	27	26
8	42	33	28	24	41	33	24	32	24	31	24	31	24	23
9	39	30	25	21	38	30	2	29	21	28	21	28	21	20
10	36	27	22	19	35	27	19	26	19	26	19	25	19	17

Numbers indicate percentage values of reflectivity.

Go to [www.focalpointlights.com](http://www.focalpointlights.com) for additional photometric data.