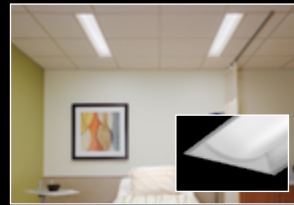
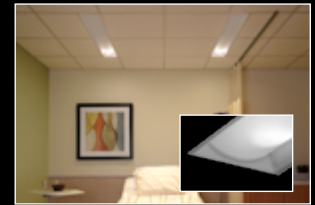


Apollo 8 LED Ambient only

LED

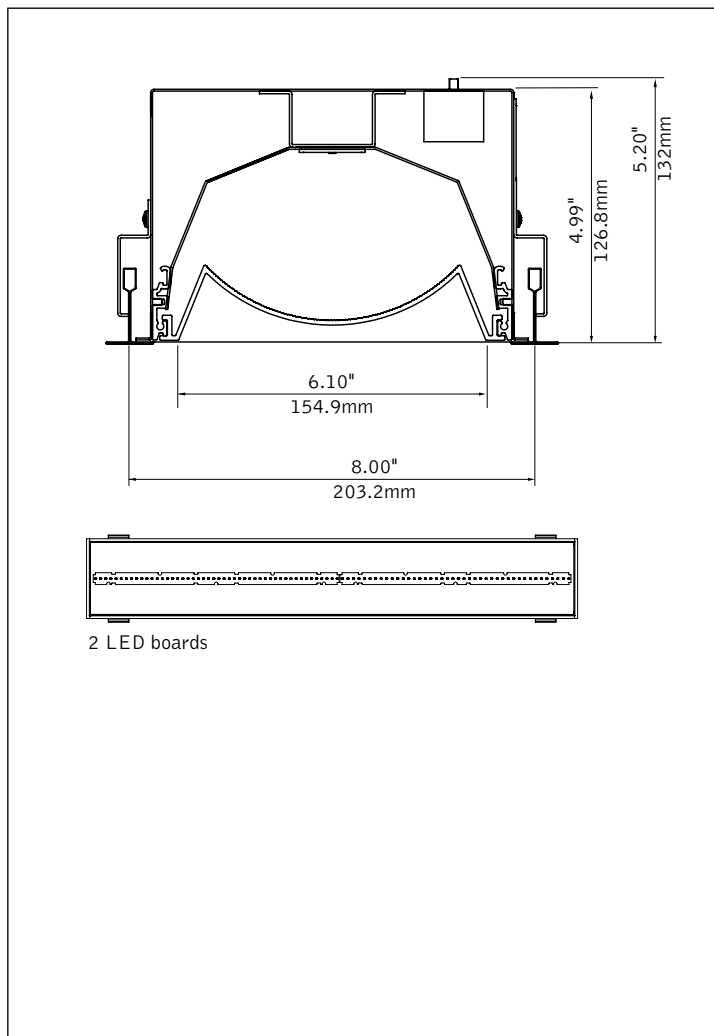


companion ambient + exam pair
(exam function shown)



companion ambient + exam
+ reading light pair
(reading function shown)

DIMENSIONAL DATA

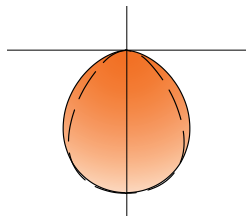


FEATURES

8" x 4' wide ambient recessed luminaire.

Radial extruded acrylic diffuser with internal ribs provides brightness control, even illumination, and easy wipe down for cleaning.

PERFORMANCE



PRODUCT OVERVIEW

Lumen Output: 2000 -4500lm

Wattage: 16-44W

LPW: 102-126

SDCM: 3

2500 Lumens, 80CRI

Delivered Lumens: 2500lm

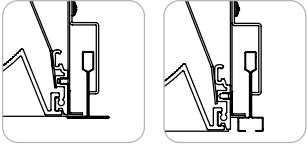
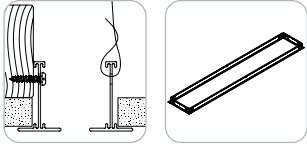
Total System Watts: 20W

Visit focalpointlights.com for complete photometric data.

fixture:

project:

MOUNTING INFORMATION

| | | | |
|---|--|--|--|
| <p>grid</p> <p>specify "G" for flat 9/16" and 15/16" tee or "ST" for 9/16" slot tee grid types.</p>  <p>"G" flat tee "ST" slot tee</p> | | <p>drywall frame kit</p> <p>specify "F" Drywall Frame Kit for drywall ceiling conditions.</p>  <p>Use tie-wire or screws to secure frame kit.</p> <p>cut out dimensions: 8": Min: 8.3125" Max: 8.625" 4": Min: 48.325" Max: 48.6875"</p> | |
|---|--|--|--|

SPECIFICATIONS

LED System

Proprietary linear LED module incorporates premium LEDs on a robust platform to achieve excellent thermal management. LEDs are placed to promote a uniform appearance. Available in 3000K, 3500K, 4000K and 5000K with both 80 and 90 CRI options. 0-10V dimming driver standard. LED modules and drivers are replaceable from below. Color accuracy <3 SDCM.

Construction

20 Ga. Steel housing. LEDs sealed and enclosed by detachable acrylic diffuser. End of lens sealed by silicone gasket. Side access plate for electrical connection. Positional clips standard. Weight 20.6lbs

Optic

One piece 18 Ga. Aluminum reflector finished in matte white.

Electrical

An optional Low Voltage Controller (LVC) allows control of the light sources from a pillow speaker, bed communication side rail device, or momentary dry contact switch. The LVC is configurable to operate with one to three switches, depending on the number of light sources in the fixture and the configuration of buttons on the pillow speaker. The controller also enables dimming of the light sources. It is FCC compliant and will not cause harmful interference.

Emergency Battery

Emergency output—10 watts for 90 minutes. Maximum mounting height: 24ft.

Labels

UL and cUL listed.

Finish

Antimicrobial polyester powder coat applied over a multi-stage pre-treatment.

Lumen Maintenance

Reported: L70 > 61,000 hours Calculated: L70 at 480,000 hours
 L90 > 61,000 hours L90 at 128,000 hours

Derived from EPA TM-21 calculator. Based on typical conditions, consult factory for additional data.

Reliability

At Focal Point, our products are designed to stand the test of time. Each luminaire is engineered using superior components, manufactured with the utmost care and rigorously tested. Contact us for reliability data.

Warranty

LED system rated for operation in ambient environments up to 25°C. 5-year limited warranty.

PERFORMANCE CHART

| Delivered Lumens | 80 CRI | | 90 CRI | |
|------------------|---------------------|-----|---------------------|-----|
| | Tested System Watts | LPW | Tested System Watts | LPW |
| 2000 | 16 | 126 | 19 | 108 |
| 2500 | 20 | 123 | 24 | 106 |
| 3000 | 25 | 121 | 29 | 104 |
| 3500 | 29 | 120 | 34 | 103 |
| 4000 | 34 | 119 | 39 | 103 |
| 4500 | 38 | 118 | 44 | 102 |

Based on 3500k. Lumen output may vary +/- 5%. Actual wattage may vary +/- 5%

Focal Point LLC reserves the right to change specifications for product improvement without notification.

ORDERING

| | |
|--|--------------|
| Luminaire Series | FMA8L |
| Apollo 8 Ambient Only | FMA8L |
| Nominal Size | 84 |
| 8" x 4' | 84 |
| Shielding | RA |
| Radial Acrylic Lens | RA |
| Lumen Output | |
| 2000 Lumens | 2000L |
| 2500 Lumens | 2500L |
| 3000 Lumens | 3000L |
| 3500 Lumens | 3500L |
| 4000 Lumens | 4000L |
| 4500 Lumens | 4500L |
| <small>(Consult factory for custom lumen options)</small> | |
| Color Temperature | |
| 3000K, 80CRI | 30K |
| 3000K, 90CRI | 930K |
| 3500K, 80CRI | 35K |
| 3500K, 90CRI | 935K |
| 4000K, 80CRI | 40K |
| 4000K, 90CRI | 940K |
| 5000K, 80CRI | 50K |
| 5000K, 90CRI | 950K |
| Circuit | 1C |
| One Circuit | 1C |
| Voltage | |
| 120/277 UNV Volt | UNV |
| 347 Volt | 347V |
| <small>(L11 & all LVC options only. Transformer required for all LVC options)</small> | |
| Control System & Dimming Level | |
| 0-10V - 1% Dimming | L11 |
| 0-10V - 10% Dimming | LD1 |
| Lutron Hi-Lume EcoSystem (LDE1) - 1% Dimming | LH1 |
| Lutron 5-Series EcoSystem (LDE5) - 5% Dimming | LU5 |
| DALI - 1% Dimming | D11 |
| Step Dimming | SD5 |
| Low Voltage Controller - On/Off (1-button pillow speaker) | LVC |
| Low Voltage Controller - 1% Dimming (1-button pillow speaker) | LVC1 |
| Low Voltage Controller - Step Dimming (1-button pillow speaker) | LVCP |
| <small>(Consult factory for alternate LVC wiring configurations or Acuity nLight & Wattstopper DLM options)</small> | |
| Mounting | |
| Drywall Frame Kit | F |
| Grid | G |
| Slot Tee | ST |
| Factory Options | |
| Chicago Plenum | CP |
| Emergency Circuit (Consult factory for LVC options) | EC |
| Emergency Circuit with Generator Transfer Device (120/277 Volt only. Not available with EC or EM. Consult factory for LVC options) | ECGT |
| Emergency Battery (120/277 Volt only. Consult factory for LVC options) | EM |
| 6' New York City Flex Whip (120V) | FNY1 |
| 6' New York City Flex Whip (277V) | FNY2 |
| 6' Flex Whip | FW |
| Finish | WHA |
| Matte Satin White Antimicrobial | WHA |

For more information visit focalpointlights.com/reference or consult factory.