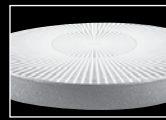


Metro™ 26

FLUORESCENT



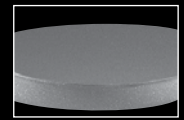
FOCAL POINT®



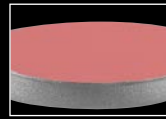
patterned



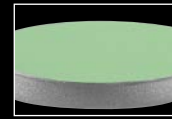
white



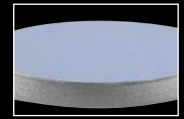
solid



cherry red



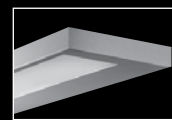
kelly green



sky blue

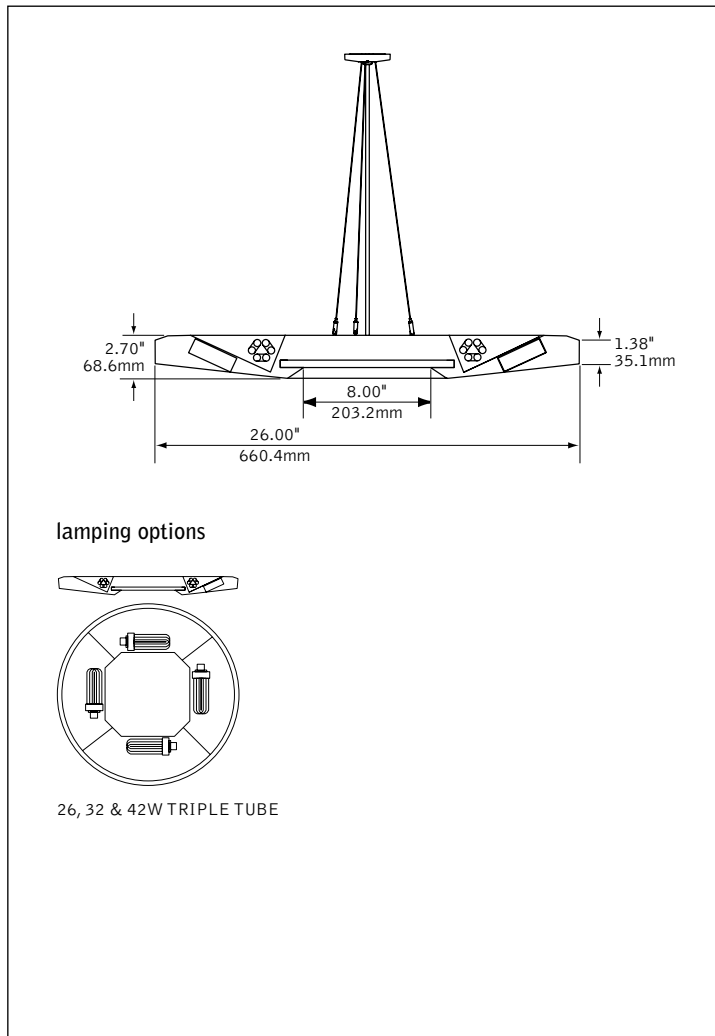


linear companion



wall mount companion

DIMENSIONAL DATA



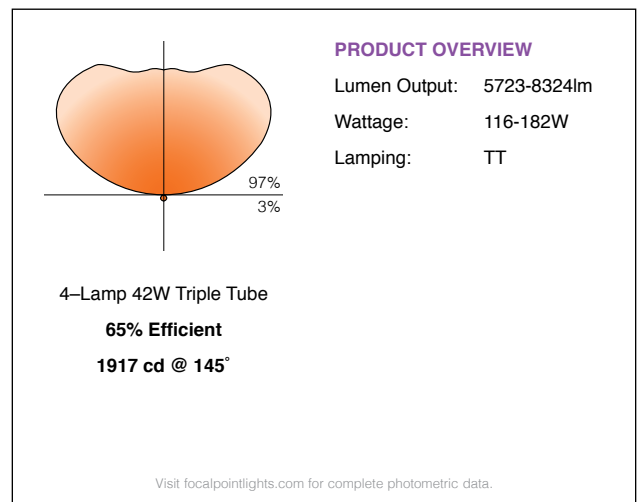
FEATURES

Low profile pendant mount fluorescent indirect with luminous acrylic diffuser.

Suspension options include 3-point aircraft cable or single point stem with 45° swivel.

Metro™ makes an exceptional aesthetic statement in conference rooms, cafeterias, private or open offices, reception areas or other high-end applications.

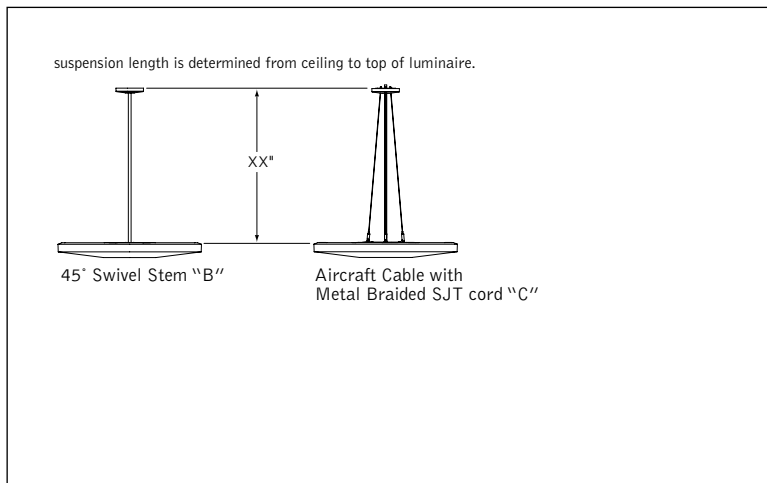
PERFORMANCE



fixture:

project:

SUSPENSION INFORMATION



SPECIFICATIONS

Construction

20 Ga. spun steel housing .036" min. thickness. 8" Dia. luminous acrylic diffuser. Canopy: 5" Dia. x .875"H, spun steel. Wiring compartment fabricated of 18Ga. C.R.S. Ballast is accessible by removing reflectors. Weight: 8 lbs.

Optic

Four piece 24 Ga. Hammertone aluminum reflectors. 8" Dia. x .375" thick luminous diffuser constructed of optical grade acrylic available as frosted white or with sunburst pattern. Solid housing option may also be specified. Optional red, green or blue color gel may be specified.

Electrical

Luminaires are pre-wired for single circuit with thermally protected Class "P" electronic ballast. Factory installed decorative metal braided power cord is included. White SJT power cord supplied for 347V. Optional dimming ballasts available. Consult factory for dimming specifications and availability. Lamp: Triple tube compact fluorescent, 4-pin, 26W/32W (GX24q-3) or 42W (GX24q-4).

Labels

UL and cUL listed.

Finish

Polyester powder coat applied over a 5-stage pre-treatment.

ORDERING

Luminaire Series	FMEP	FMEP
Metro	FMEP	
Profile		26
26" Diameter	26	
Shielding		
Patterned Acrylic	PA	
Frosted White Acrylic	WA	
Solid Housing	SD	
Optional Color Gel		
<small>(Available on PA or WA option)</small>		
Cherry Red Gel	R	
Kelly Green Gel	G	
Sky Blue Gel	B	
<small>(Leave blank for no color)</small>		
Lamping		
4 Lamp 26W Triple Tube, GX24q-3	426TT	
4 Lamp 32W Triple Tube, GX24q-3	432TT	
4 Lamp 42W Triple Tube, GX24q-4	442TT	
Circuit		
Single Circuit	1C	
Dual Circuit	2C	
<small>(May affect appearance of lens)</small>		
Voltage		
120 Volt	120	
277 Volt	277	
347 Volt	347	
<small>(Consult factory for availability and dimming options)</small>		
Ballast		
Electronic Program Start <10% THD	S	
Lutron EcoSystem Digital	DB	
Lutron EcoSystem 3-wire	D2	
Suspension		
24" Aircraft Cable	C24	
48" Aircraft Cable	C48	
96" Aircraft Cable	C96	
6" 45° Swivel Stem	B6	
12" 45° Swivel Stem	B12	
18" 45° Swivel Stem	B18	
24" 45° Swivel Stem	B24	
36" 45° Swivel Stem	B36	
48" 45° Swivel Stem	B48	
<small>(White stems and canopies supplied standard. For non-white housings: to match stem and housing color, add M to ordering code (B12M). To match stem, canopy and housing color, add MC to ordering code (B12MC) (consult factory for other lengths)</small>		
Factory Options		
Emergency Battery Pack*	EM	
<small>(EM option not available with swivel stem)</small>		
HLR/GLR Fuse	FU	
Include 3000K Lamp*	L830	
Include 3500K Lamp*	L835	
Include 4100K Lamp*	L841	
Finish		
Titanium Silver	TS	
Matte Satin Housing	WH	