

grid ceiling canopy



drywall canopy



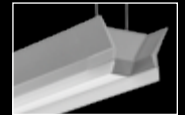
end view



white interior end cap

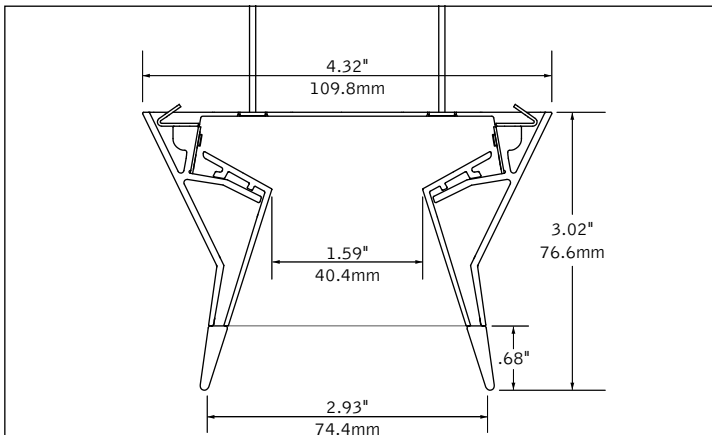


infinity interior end cap

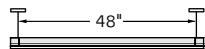


palladium silver

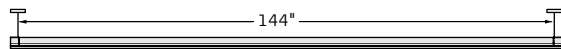
DIMENSIONAL DATA



fixture information



4' (4' 3.6")



12' (12' 3.6")

Nominal Length	Mounting Distance	Total Length
4'	48"	4' 3.6"
5'	60"	5' 3.6"
6'	72"	6' 3.6"
7'	84"	7' 3.6"
8'	96"	8' 3.6"
9'	108"	9' 3.6"
10'	120"	10' 3.6"
11'	132"	11' 3.6"
12'	144"	12' 3.6"

FEATURES

A distinctive minimalistic suspended luminaire glowing from a seemingly invisible light source.

Luminaire lengths available in 4' to 12' (1' increments).

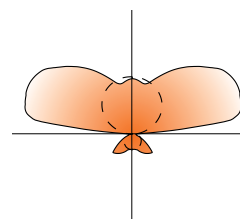
Power-Up™ suspension system which delivers power through the suspension cables and eliminates visual clutter of separate power cord.

Gradient optic softens the uplight distribution.

Choice of output levels to meet a wide variety of application needs.

Connected Solutions: Integrates with wired and wireless building lighting control systems.

PERFORMANCE



4' - 875 Lumens per foot
Delivered Lumens: 3500lm
Total System Watts: 30W

PRODUCT OVERVIEW

Lumen Output: 2000 - 4000lm
 Wattage: 17-35
 LPW: 123-129
 SDCM: 3

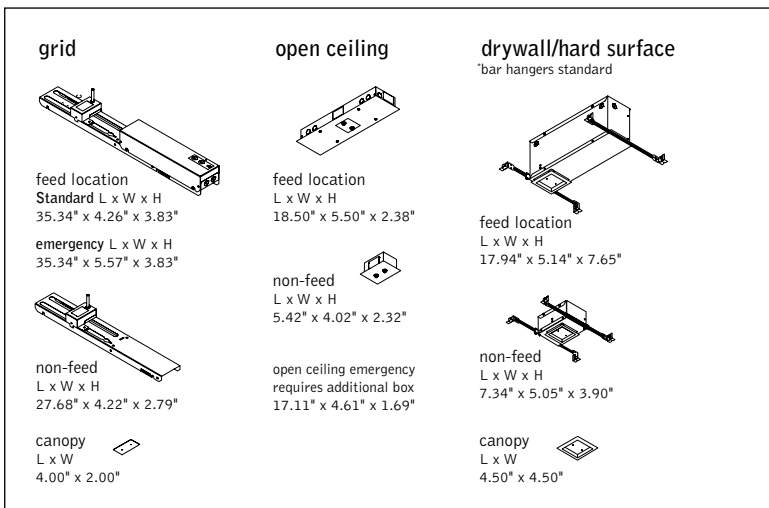


Photometric performance is measured in accordance with IESNA LM-79. Visit focalpointlights.com for complete photometric data. Visit designlights.org/QPL for model specifics.

fixture:

project:

DETAILS



SPECIFICATIONS

LED System

Linear LED module incorporates premium LEDs on a robust platform to achieve excellent thermal management. Available in 3000K, 3500K, 4000K with CRI>80, 3 SDCM.

Construction

.08" extruded aluminum rails with die-cast aluminum end-caps. 4' weight: 7lbs. 5' weight: 8.7lbs. 6' weight: 10.4lbs. 7' weight: 12.2lbs. 8' weight: 13.9lbs. 9' weight: 15.6lbs. 10' weight: 17.4lbs. 11' weight: 19.1lbs. 12' weight: 20.8lbs.

Optic

Matte white reflector 0.60" extruded aluminum and 22 ga. gradient optic. Extruded acrylic lens, provides subtle glow.

Mounting

Satin white acrylic canopies provided for below ceiling access. Canopies are field paintable. Minimum mounting height: 12".

Suspension and Power

Low voltage power delivered via aircraft suspension/power cable. Adjustable suspension to 96", consult factory for longer lengths. Drivers in sheet metal enclosure above ceiling or surface mount for open ceilings. Drivers are replaceable. Standard 120-277V constant current driver includes 0-10V analog dimming. Power factor > .9.

Emergency

Bodine BSL-310LP. Emergency output—10W for 90 minutes. Maximum mounting height: 8.83ft

Labels

UL and cUL listed. Suitable for Dry or Damp Locations, indoor use only.

Finish

Polyester powder coat applied over a multi-stage pre-treatment.

Lumen Maintenance

Reported: L70 at >61,000 hours Calculated: L70 at 480,000 hours
Reported: L90 at >61,000 hours Calculated: L90 at 130,000 hours
Derived from EPA TM-21 calculator. Based on typical conditions, consult factory for additional data.

Reliability

At Focal Point, our products are designed to stand the test of time. Each luminaire is engineered using superior components, manufactured with the utmost care and rigorously tested. Contact us for reliability data.

Warranty

LED system rated for operation in ambient environments up to 25°C. 5-year limited warranty.

4' PERFORMANCE CHART

Lumen Output	Delivered Lumens	System Watts	LPW
500LF	2000	17	125
625LF	2500	21	129
750LF	3000	26	123
875LF	3500	30	126
1000LF	4000	35	123

Lumen output may vary +/- 5%. Actual wattage may vary +/- 5%

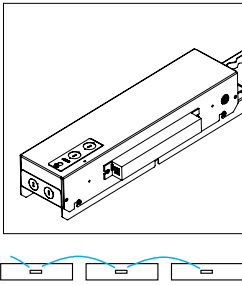
Focal Point LLC reserves the right to change specifications for product improvement without notification.

ORDERING

Luminaire Series	FOSS
Obscura	FOSS
Shielding	FL80
Frosted Lens - 80 Indirect / 20 Direct Distribution	FL80
Lumen Output	
500 Lumens per foot	500LF
625 Lumens per foot	625LF
750 Lumens per foot	750LF
875 Lumens per foot	875LF
1000 Lumens per foot <small>(Not available with D11 or NLT1)</small>	1000LF
<small>(consult factory for higher light levels)</small>	
Color Temperature	
3000K	30K
3500K	35K
4000K	40K
Circuits	1C
Single Circuit	1C
Voltage	UNV
UNV 120/277 Volt	UNV
Control System & Dimming Level	
0-10V - 10% Dimming	LD1
Lutron Hi-Lume EcoSystem (LDE1) - 1% Dimming	LH1
Lutron 5-Series EcoSystem (LDE5) - 5% Dimming	LU5
DALI - 1% Dimming	D11
Acuity nLight - 1% Dimming <small>(Not available with CP. Grid only.)</small>	NLT1
Enlighted Smart Sensor - 1% Dimming <small>(Remote mounted sensor. Grid only.)</small>	ENL1
Wattstopper DLM - 1% Dimming <small>(Grid only.)</small>	DLM1
Mounting	
Grid Accessible Ceiling <small>(Consult factory for Armstrong TechZone ceilings)</small>	G
Drywall / Hard Surface <small>(Not available with Emergency Battery)</small>	HS
Open Ceiling	OC
Suspension and Power Feed	
<small>(Adjustable aircraft cable with integral low voltage power delivery)</small>	
24" adjustable	CLV24
48" adjustable	CLV48
60" adjustable	CLV60
96" adjustable	CLV96
Factory Options	
Clear Cable Slewing <small>(May be required by local code)</small>	CCS
Chicago Plenum <small>(Not available with Open Ceiling mounting. CCS shipped standard with CP option.)</small>	CP
Emergency Circuit	EC
Emergency Battery <small>(Test switch in canopy. Not available with HS mounting.)</small>	EM
Finish	
Palladium Silver / White interior end cap	PS
Palladium Silver / Infinity interior end cap	PSM
White / White interior end cap	WH
White / Infinity interior end cap	WHM
Luminaire Length	
<small>(individual units only)</small>	
4'	4'
5'	5'
6'	6'
7'	7'
8'	8'
9'	9'
10'	10'
11'	11'
12'	12'
<small>(9' - 12' units require two drivers and are powered from both ends)</small>	

For more information visit focalpointlights.com/reference or consult factory.

Focal Point provides flexibility in meeting the needs of each project by integrating with several building lighting control systems. A variety of sensors, drivers and other components can be specified that allow the luminaires to communicate with wired and wireless networks. All zoning can be digitally reconfigured through the application software. Daylight harvesting, occupancy sensing, integration with HVAC systems, and individual controls enable the monitoring and modulating of light levels and temperature in order to save energy, reduce costs and maximize occupants' comfort.



nLight® provides a two-way wired digital lighting system allowing for on/off and dimming functionality, occupancy sensing, and multi-zone daylight harvesting.

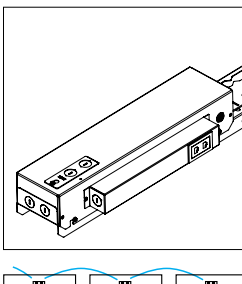
Acuity nLight - 1% Dimming (NLT1)
Acuity Model #nEPS-60-IO

CAT-5 Cable provided by others. Serial labels will be provided on outside of luminaires and control unit.



Enlighted smart sensor allows for occupancy sensing, daylight harvesting (not suitable for Obscura), energy usage, temperature and light level control. Communicates wirelessly with the Enlighted network.

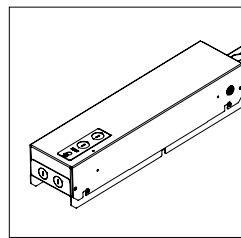
Enlighted Smart Sensor - 1% Dimming (ENL1)
Enlighted Model #SU-4E-01



A Digital Lighting Management (DLM) system that provides two-way wired communication between networked luminaires and control system to allow for on/off and dimming functionality, occupancy sensing and multi-zone daylight harvesting.

Wattstopper DLM - 1% Dimming (DLM1)
Wattstopper Model #LMFC-011

CAT-5 Cable provided by others. Serial labels will be provided on outside of luminaires and control unit.



A two-way digital network that enables on/off and dimming functionality, occupancy sensing, and multi-zone daylight harvesting working with Quantum®, Energi Savr Node™, and Energi TriPak® using EcoSystem® communication protocol.

Lutron Hi-Lume EcoSystem - 1% Dimming (LH1)
Lutron Model #LDE1
Lutron 5-Series EcoSystem - 5% Dimming (LU5)
Lutron Model #LDE5

CONNECTED SOLUTIONS DETAILS

Connected Solution	Model #	Protocol	Compatible Networks*	Occupancy	Daylight	Temperature Reporting	Communication to Luminaire	Drivers
Acuity nLight (NLT1)	nEPS-60-IO**	nLight	nLight	Enabled	Enabled	No	Wired	eldoLED ECOdrive , eldoLED SOLOdrive
Enlighted Smart Sensor (ENL1)	SU-4E-01**	Enlighted RF	Enlighted	Integrated	Not suitable	Yes	Wireless	Philips SimpleSet , Osram Optotronic
Legrand Wattstopper DLM (DLM1)	LMFC-011**	DLM	DLM	Enabled	Enabled	No	Wired	Philips SimpleSet , Osram Optotronic
Lutron EcoSystem (LH1 & LU5)	LDE1** LDE5**	EcoSystem	Quantum, Energi Savr Node, Energi TriPak	Enabled	Enabled	No	Wired	Lutron Hi-Lume Lutron 5-Series

*Not all compatible networks may be listed. **For performance data and additional control system details please visit the connected solutions manufacturer websites. Primary drivers are listed in bold. To specify a particular driver please consult factory.