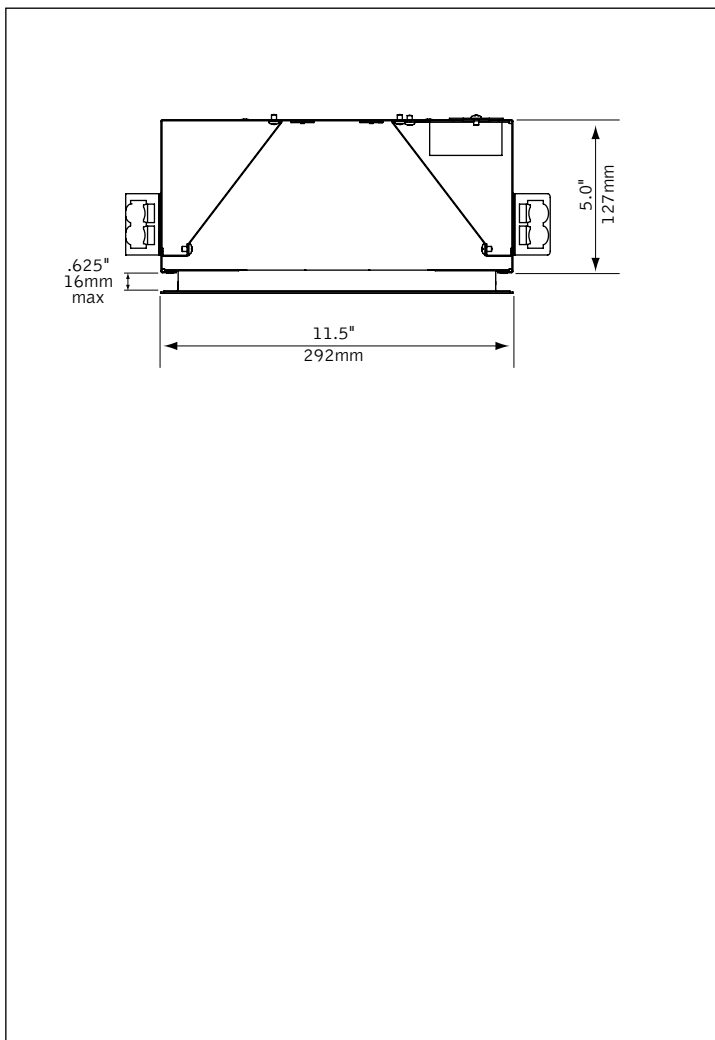




DIMENSIONAL DATA



FEATURES

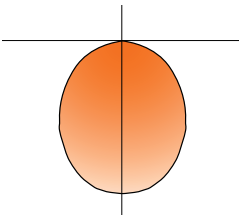
1' diameter recessed direct LED luminaire with frosted flat acrylic lens.

Available in 1,000 and 1,500 lumen options.

Frosted acrylic lens produces a smooth appearance.

Universal mounting is suitable for both grid & drywall applications.

PERFORMANCE



PRODUCT OVERVIEW

Lumen Output:	1000-1500lm
Wattage:	14-21W
LPW:	71
SDCM:	3
Lumen	L90 @
Maintenance:	114,000hrs

Delivered Lumens: 1000lm

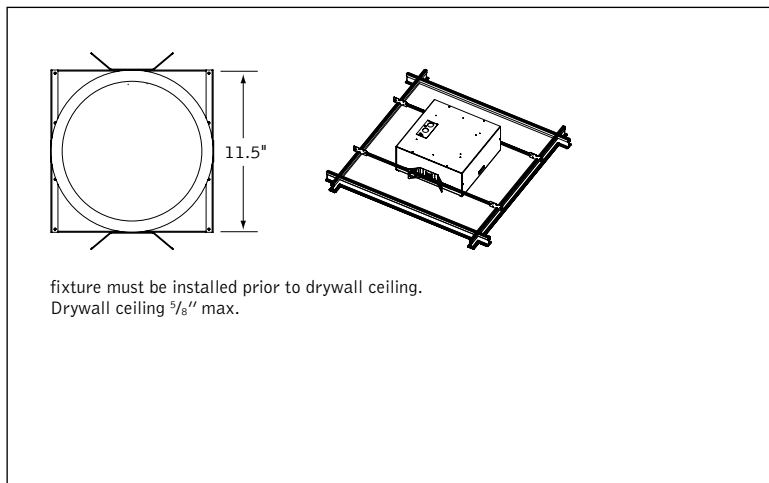
Total System Watts: 14W

Visit focalpointlights.com for complete photometric data.

fixture:

project:

DETAILS



SPECIFICATIONS

LED System

LED module incorporates premium LEDs on a robust platform to achieve excellent thermal management. LEDs are placed to promote a uniform appearance. Available in 3000K, 3500K or 4000K with CRI>80. LED modules and drivers are replaceable from below.

Construction

Two-piece 20 Ga. steel reflector and housing. Spun steel trim ring and doorframe. Bottom access 20 Ga. steel ballast compartment. Weight: 7 lbs.

Optic

One-piece 20 Ga. steel reflector finished in High Reflectance White powder coat. 0.08" premium white acrylic is held by one-piece spun steel doorframe and secured to the housing by torsion springs. Flat lens supplied as standard.

Electrical

Standard 120-277V driver includes 0-10V analog dimming. Power factor > .9.

Labels

UL and cUL listed. Suitable for Dry or Damp Locations, indoor use only.

Finish

Polyester powder coat applied over a 5-stage pre-treatment.

Lumen Maintenance

Calculated: L90 at 114,000 hours. Reported: L90 at >61,000 hours
Derived from EPA TM-21 calculator

Warranty

LED system rated for operation in ambient environments up to 25°C. 5 year limited warranty.

PERFORMANCE CHART

Delivered Lumens	Tested System Watts	LPW
1000	14	71
1500	21	71

*Lumen output may vary +/- 5%. Actual wattage may vary +/- 5%

ORDERING

Luminaire Series	Skydome LED	FSDL	FSDL
Nominal Size	1' Diameter	11	11
Shielding	High Performance Flat Lens	FLXP	FLXP
Lumen Output	1000 Lumen	1000L	
	1500 Lumen	1500L	
Color Temperature	3000K	30K	
	3500K	35K	
	4000K	40K	
Circuit	Single Circuit	1C	1C
Voltage	UNV 120/277 Volt	UNV	UNV
Driver	0-10V - 10% Dimming	LD1	
	0-10V - 1% Dimming	L11	
	DALI - 1% Dimming	D11	
	Lutron A-Series -		
	1% EcoSystem Digital	L3D	
	<small>(consult factory for 3-wire control)</small>		
Mounting	Universal	U	U
Factory Options	Bar Hangers	BH	
	Chicago Plenum	CP	
	6' New York City Flex Whip	FNY	
	6' Flex Whip	FW	
Finish	Matte Satin White	WH	WH

Skydome™

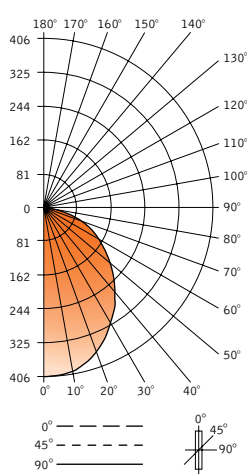
LED - 1' RECESSED

FSDL-11-FLXP-1000L-35K-UNV-LD1-U-WH

Filename: FSDL11FLXP1000L35K.IES
Test #: 18676.0

Lumens: 991lm
System Watts: 13.4W
LPW: 74

CANDLEPOWER DISTRIBUTION



Vertical Angle	Horizontal Angle					Zonal Lumens
	0°	22.5°	45°	67.5°	90°	
0°	406	406	406	406	406	
5°	404	404	402	401	401	38
15°	383	382	380	382	380	108
25°	342	342	339	339	339	157
35°	293	289	288	286	286	181
45°	232	228	227	223	226	176
55°	172	170	166	167	170	151
65°	112	114	107	113	109	110
75°	54	56	53	54	50	57
85°	12	12	12	12	9	12
90°	0	0	0	0	0	
95°	0	0	0	0	0	0
105°	0	0	0	0	0	0
115°	0	0	0	0	0	0
125°	0	0	0	0	0	0
135°	0	0	0	0	0	0
145°	0	0	0	0	0	0
155°	0	0	0	0	0	0
165°	0	0	0	0	0	0
175°	0	0	0	0	0	0
180°	0	0	0	0	0	

LUMEN SUMMARY

Zone	Lumens	% Fixture
0-30°	304	30.7
0-40°	485	49.0
0-60°	812	81.9
0-90°	991	100.0
Total Luminaire 0-180°	991	100.0

LUMINANCE DATA (CD/M²)

Vertical Angle	0°	45°	90°
45°	6594	6444	6415
55°	6023	5802	5949
65°	5316	5065	5166
75°	4176	4095	3849
85°	2675	2675	2189

Go to www.focalpointlights.com for additional photometric data.

Skydome™

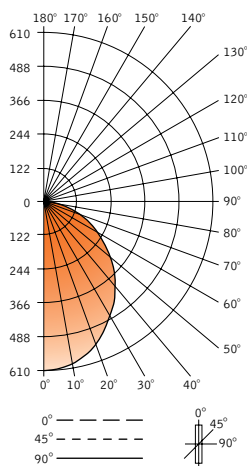
LED - 1' RECESSED

FSDL-11-FLXP-1500L-35K-UNV-LD1-U-WH

Filename: FSDL11FLXP1500L35K.IES
Test #: 18677.0

Lumens: 1498lm
System Watts: 20.5W
LPW: 73

CANDLEPOWER DISTRIBUTION



Vertical Angle	Horizontal Angle					Zonal Lumens
	0°	22.5°	45°	67.5°	90°	
0°	610	610	610	610	610	
5°	605	605	605	605	605	58
15°	573	572	571	573	571	162
25°	516	515	507	511	509	237
35°	440	433	430	431	435	272
45°	352	388	385	386	391	268
55°	261	257	256	253	256	230
65°	172	170	165	167	169	167
75°	81	84	81	81	79	86
85°	17	19	18	16	17	19
90°	0	0	0	0	0	
95°	0	0	0	0	0	0
105°	0	0	0	0	0	0
115°	0	0	0	0	0	0
125°	0	0	0	0	0	0
135°	0	0	0	0	0	0
145°	0	0	0	0	0	0
155°	0	0	0	0	0	0
165°	0	0	0	0	0	0
175°	0	0	0	0	0	0
180°	0	0	0	0	0	

LUMEN SUMMARY

Zone	Lumens	% Fixture
0-30°	457	30.5
0-40°	729	48.6
0-60°	1226	81.9
0-90°	1498	100.0
Total Luminaire 0-180°	1498	100.0

LUMINANCE DATA (CD/M²)

Vertical Angle	0°	45°	90°
45°	9990	9755	9872
55°	9128	8947	8947
65°	8161	7964	8013
75°	6261	661	6101
85°	3814	4052	3814

Go to www.focalpointlights.com for additional photometric data.