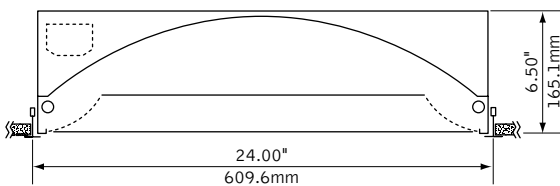
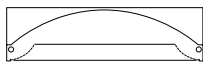


DIMENSIONAL DATA



lamping options



T5/T5HO LAMPS

FEATURES

2'x2' recessed indirect with four-sided perforated diffuser and domed reflector

Seamless, one-piece reflector design inspired by quadripartite vault form.

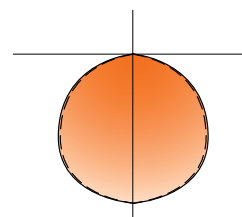
Perforated lamp shield lifts and shifts for easy relamping and conceals lamps on four sides of housing.

High reflectance, low gloss Matte White finish controls glare and provides high efficiency.

All luminaire combinations may be continuously row mounted.

Sky™ provides high angle uniform distribution ideal for general illumination. Non-directional symmetrical design makes Sky™ extremely versatile.

PERFORMANCE



4-Lamp T5
49% Efficient
854 cd @ 0°

PRODUCT OVERVIEW

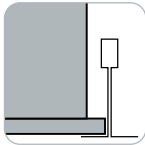
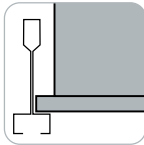
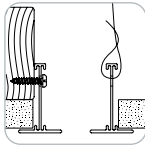
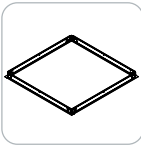
Lumen Output: 2624-3888lm
Wattage: 63-102W
Lamping: T5, T5HO

Visit focalpointlights.com for complete photometric data.

fixture:

project:

MOUNTING INFORMATION

<p>grid</p> <p>specify "G" for flat 9/16" and 15/16" tee or "ST" for 9/16" slot tee grid types.</p>  <p>"G" flat tee</p>  <p>"ST" slot tee Luminaire sits on top of 9/16" slot tee grid.</p>		<p>drywall frame kit</p> <p>specify "DF" Drywall Frame Kit for drywall ceiling conditions.</p>  <p>Use tie-wire or screws to secure frame kit.</p>  <p>cut out dimensions: 2': Min: 24.25" Max: 24.563"</p>	
---	--	--	--

SPECIFICATIONS

Construction

Four-piece 22 Ga. steel perforated lamp shield with corner castings. Shield is removed through lift and shift for easy relamping. Bottom access 20 Ga. steel ballast compartment. Weight: 23 lbs.

Optic

Seamless one-piece 20 Ga. steel quadripartite reflector finished in Matte Satin White powder coat.

Electrical

Electronic ballasts are thermally protected and have a Class "P" rating. Optional dimming ballasts available. Consult factory for dimming specifications and availability.

Labels

UL and cUL listed.

Finish

Polyester powder coat applied over a 5-stage pre-treatment.

ORDERING

Luminaire Series	Sky	FSK	FSK
Nominal Size	2' x 2'	22	22
Distribution	Bi-Directional	B	B
Lamp Quantity	Four Lamp	4	4
Lamp Type	T5 T5HO	T5 T5HO	
Voltage	120 Volt 277 Volt 347 Volt	120 277 347	
<small>(Consult factory for dimming options)</small>			
Ballast	Electronic Program Start <10% THD	S	
	0-10V	D7	
	Lutron 1% 3-wire	DH	
	Lutron 1% H-Series	DK	
Mounting	Drywall Frame Kit	DF	
	<small>(Cut out dimensions: Min:24.25"/Max: 24.563")</small>		
	Grid	G	
	<small>(Luminaire sits on top of 9/16" slot tee)</small>		
Shielding	Perforated Shield	PS	PS
Factory Options	Air Return	AR	
	Chicago Plenum	CP	
	Emergency Battery Pack*	EM	
	Positional Clips	EQ	
	HLR/GLR Fuse	FU	
	6' New York City Flex Whip	FNY	
	6' Flex Whip	FW	
	Include 3000K Lamp*	L830	
	Include 3500K Lamp*	L835	
	Include 4100K Lamp*	L841	
Finish	Matte Satin White	WH	WH

Sky™ 2x2

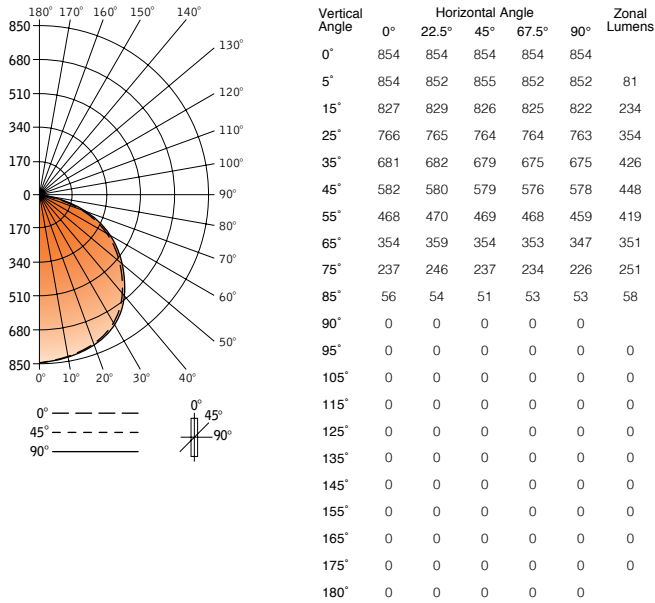
FLUORESCENT

FSK-22-B-4-T5-S-120-G-PS-WH

Filename: 224T5PS.IES
 Test #: 10313.0

Lumens: 2624lm
 Efficiency: 49%

CANDLEPOWER DISTRIBUTION



LUMEN SUMMARY

Zone	Lumens	% Lamp	% Fixture
0-30°	669	12.4	25.5
0-40°	1096	20.3	41.8
0-60°	1963	36.4	74.8
0-90°	2624	48.6	100.0
Total Luminaire 0-180°	2624	49	100

LUMINANCE DATA (CD/M²)

Vertical Angle	0°	45°	90°
45°	2393	2381	2377
55°	2372	2377	2327
65°	2436	2436	2387
75°	2662	2662	2539
85°	1868	1701	1768

CO-EFFICIENTS OF UTILIZATION

Floor Ceiling Wall	80				70			20 50		30		10		00
	70	50	30	10	70	50	10	50	10	50	10	50	10	00
RCR 0	58	58	58	58	56	56	56	54	54	52	52	50	50	49
1	53	51	49	47	52	50	46	47	44	46	43	44	42	41
2	48	44	41	38	47	43	38	41	37	40	36	38	35	34
3	44	39	35	32	43	38	31	37	31	35	30	34	30	29
4	40	34	30	27	39	34	27	32	26	31	26	30	26	24
5	37	30	26	23	36	30	22	29	22	28	22	27	22	21
6	34	27	23	19	33	27	19	26	19	25	19	24	19	18
7	31	24	20	17	30	24	17	23	17	22	17	22	16	15
8	28	22	17	15	28	21	15	21	14	20	14	19	14	13
9	26	19	15	13	25	19	13	19	12	18	12	18	12	11
10	24	18	14	11	24	17	11	17	11	16	11	16	11	10

Numbers indicate percentage values of reflectivity.

Go to www.focalpointlights.com for additional photometric data.