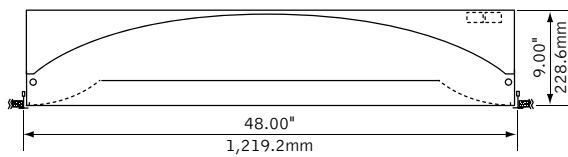


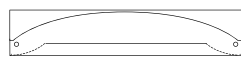
#### DIMENSIONAL DATA



#### lamping options



T5/T5HO LAMPS



T8 LAMPS

#### FEATURES

4'x4' recessed indirect with four-sided perforated diffuser and domed reflector

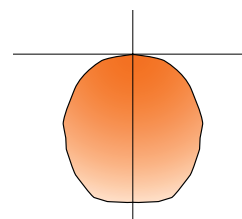
Seamless, one-piece reflector design inspired by quadripartite vault form.

Captive one-piece four-sided perforated lamp shield unlocks and lowers to provide easy lamp access.

High reflectance, low gloss Matte White finish controls glare and provides high efficiency.

Sky™ is a truly unique luminaire that makes a distinct aesthetic statement in boardrooms, corridors, lobbies, concourses or any open area.

#### PERFORMANCE



4-Lamp T5HO  
55.5% Efficient  
3693 cd @ 0°

#### PRODUCT OVERVIEW

Lumen Output: 6077-22800lm  
Wattage: 108-472W  
Lamping: T5, T5HO, T8

Visit [focalpointlights.com](http://focalpointlights.com) for complete photometric data.

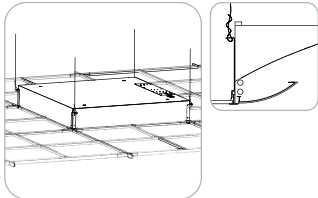
fixture:

project:

**MOUNTING INFORMATION**

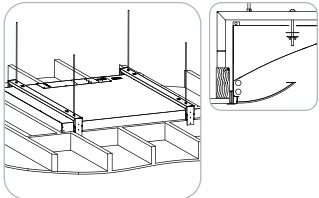
**grid**

Luminaire installs easily into most grid ceiling conditions. Reference Focal Point Instruction Sheet **IS0193** for complete details.



**drywall/flange**

Luminaire also installs into drywall ceiling conditions with ease. Reference Focal Point Instruction Sheet **IS0194** for complete details.



note: Luminaire can not be row mounted.

**SPECIFICATIONS**

**Construction**

One-piece 20 Ga. steel reflector and housing. Four-piece 22 Ga. steel perforated lamp shield with corner casting. Two-piece 16 Ga. support brackets supplied for drywall mounting. Top or bottom access 14 Ga. aluminum ballast compartment. Weight: 83 lbs.

**Optic**

Seamless one-piece 20 Ga. steel quadripartite reflector finished in Matte Satin White powder coat.

**Electrical**

Electronic ballasts are thermally protected and have a Class "P" rating. Optional dimming ballasts available. Consult factory for dimming specifications and availability.

**Labels**

UL and cUL listed.

**Finish**

Polyester powder coat applied over a 5-stage pre-treatment.

**ORDERING**

<b>Luminaire Series</b>		<b>FSK</b>
Sky	FSK	
<b>Nominal Size</b>		<b>44</b>
4' x 4'	44	
<b>Distribution</b>		<b>B</b>
Bi-Directional	B	
<b>Lamp Quantity</b>		<b>4</b>
Four Lamp	4	
Eight Lamp	8	
(T5/T5HO only)		
<b>Lamp Type</b>		
T5	T5	
T5HO	T5HO	
T8	T8	
<b>Voltage</b>		
120 Volt	120	
277 Volt	277	
347 Volt	347	
<small>(Consult factory for dimming options)</small>		
<b>Ballast</b>		
Electronic Program Start <10% THD	S	
0-10V	D7	
Lutron 1% 3-wire	DH	
Lutron 1% H-Series	DK	
<b>Mounting</b>		
Drywall Flange	F	
<small>(Cut out dimensions: 48.375" x 48.375")</small>		
Grid	G	
<small>(Luminaire sits on top of 9/16" slot tee)</small>		
<b>Shielding</b>		<b>PS</b>
Perforated Shield	PS	
<b>Factory Options</b>		
Air Return	AR	
Chicago Plenum	CP	
Emergency Battery Pack*	EM	
Positional Clips	EQ	
HLR/GLR Fuse	FU	
6' New York City Flex Whip	FNY	
6' Flex Whip	FW	
Include 3000K Lamp*	L830	
Include 3500K Lamp*	L835	
Include 4100K Lamp*	L841	
Separate Circuit*	SC	
<small>(May cause loss of uniformity)</small>		
<b>Finish</b>		<b>WH</b>
Matte Satin White	WH	

# Sky™ 4x4

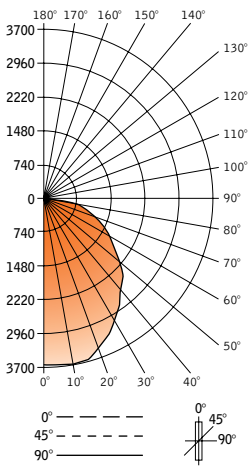
FLUORESCENT

## FSK-44-B-4-T5HO-S-120-G-PS-120-WH

Filename: FSK444T5HPS.IES  
Test #: 11606.0

Lumens: 11102lm  
Efficiency: 56%

### CANDLEPOWER DISTRIBUTION



Vertical Angle	Horizontal Angle				Zonal Lumens
	0°	22.5°	45°	67.5°	
0°	3693	3693	3693	3693	3693
5°	3638	3636	3635	3635	347
15°	3593	3590	3586	3589	1017
25°	3247	3242	3239	3242	1501
35°	2814	2807	2804	2811	1765
45°	2501	2491	2491	2499	1934
55°	1921	1917	1914	1926	1724
65°	1422	1424	1418	1425	1412
75°	977	966	954	962	1021
85°	352	339	335	366	372
90°	17	17	17	17	17
95°	0	0	0	0	0
105°	0	0	0	0	0
115°	0	0	0	0	0
125°	0	0	0	0	0
135°	0	0	0	0	0
145°	0	0	0	0	0
155°	0	0	0	0	0
165°	0	0	0	0	0
175°	0	0	0	0	0
180°	0	0	0	0	0

### LUMEN SUMMARY

Zone	Lumens	% Lamp	% Fixture
0-30°	2865	14.3	25.8
0-40°	4630	23.1	41.7
0-60°	8287	41.4	74.6
0-90°	11102	55.5	100.0
<b>Total Luminaire 0-180°</b>	<b>11102</b>	<b>55.5</b>	<b>100.0</b>

### LUMINANCE DATA (CD/M²)

Vertical Angle	0°	45°	90°
45°	2476	2466	2485
55°	2344	2336	2360
65°	2355	2349	2359
75°	2642	2580	2642
85°	2827	2691	2988

### CO-EFFICIENTS OF UTILIZATION

Floor Ceiling Wall	80				70				20				50				30				10				00			
	70	50	30	10	70	50	10	50	10	50	10	50	10	50	10	50	10	50	10	50	10	50	10					
RCR 0	66	66	66	66	65	65	65	62	62	59	59	57	57	57	57	57	57	57	57	57	57	57	56					
1	60	58	55	53	59	56	52	54	50	52	49	50	47	46	45	44	40	39	36	35	34	33	33					
2	55	50	46	43	53	49	43	47	42	45	41	44	40	39	36	30	28	27	25	24	23	22	21					
3	50	44	40	36	49	43	36	42	35	40	35	39	34	33	30	25	23	22	20	19	18	17	16					
4	46	39	34	31	45	38	30	37	30	36	30	35	29	28	25	21	20	18	17	16	15	14	13					
5	42	35	30	26	41	34	26	33	25	32	25	31	25	24	21	18	17	16	15	14	13	12	11					
6	38	31	26	22	37	30	22	29	22	28	22	28	22	20	17	15	14	13	12	11	10	9	8					
7	35	28	23	19	34	27	19	26	19	26	19	25	19	18	16	14	13	12	11	10	9	8	7					
8	33	25	20	17	32	24	17	24	17	23	16	22	16	15	13	12	11	10	9	8	7	6	5					
9	30	22	18	14	29	22	14	21	14	21	14	20	14	13	11	10	9	8	7	6	5	4	3					
10	28	20	16	13	27	20	13	19	13	19	13	18	12	11	10	9	8	7	6	5	4	3	2					

Numbers indicate percentage values of reflectivity.

Go to [www.focalpointlights.com](http://www.focalpointlights.com) for additional photometric data.

# Sky™ 4x4

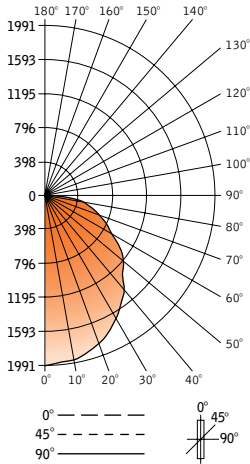
FLUORESCENT

## FSK-44-B-4-T8-E-120-G-PS-120-WH

Filename: FSK444T8PS.IES  
Test #: 16483.0

Lumens: 6077lm  
Efficiency: 52%

### CANDLEPOWER DISTRIBUTION



Vertical Angle	Horizontal Angle				Zonal Lumens	
	0°	22.5°	45°	67.5°		
0°	1991	1991	1991	1991	1991	
5°	1962	1960	1958	1960	187	
15°	1902	1901	10901	1902	1904	539
25°	1764	1759	1759	1759	1764	815
35°	1541	1539	1539	1541	1546	968
45°	1277	1273	1277	1280	1284	989
55°	1058	1057	1060	1065	1069	952
65°	786	791	800	800	800	790
75°	550	550	557	562	564	589
85°	230	230	214	232	237	248
90°	0	0	0	0	0	0
95°	0	0	0	0	0	0
105°	0	0	0	0	0	0
115°	0	0	0	0	0	0
125°	0	0	0	0	0	0
135°	0	0	0	0	0	0
145°	0	0	0	0	0	0
155°	0	0	0	0	0	0
165°	0	0	0	0	0	0
175°	0	0	0	0	0	0
180°	0	0	0	0	0	0

### LUMEN SUMMARY

Zone	Lumens	% Lamp	% Fixture
0-30°	1541	13.1	25.4
0-40°	2509	21.3	41.3
0-60°	4450	37.7	73.2
0-90°	6077	51.5	100.0
<b>Total Luminaire 0-180°</b>	<b>6077</b>	<b>51.5</b>	<b>100.0</b>

### LUMINANCE DATA (CD/M²)

Vertical Angle	0°	45°	90°
45°	1264	1264	1271
55°	1291	1294	1305
65°	1302	1325	1325
75°	1488	1506	1525
85°	1847	1719	1904

### CO-EFFICIENTS OF UTILIZATION

Floor Ceiling Wall	80				70				20				50				30				10				00			
	70	50	30	10	70	50	10	50	10	50	10	50	10	50	10	50	10	50	10	50	10	50	10					
RCR 0	61	61	61	61	60	60	60	57	57	55	55	53	53	52	52	52	52	52	52	52	52	52	52	52				
1	56	53	51	49	54	52	48	50	46	48	45	46	44	43	42	41	40	39	38	37	36	35	34					
2	51	46	43	39	49	45	39	43	38	42	37	40	36	35	34	33	32	31	30	29	28	27	26					
3	46	41	36	33	45	40	33	38	32	37	32	36	31	30	29	28	27	26	25	24	23	22	21					
4	42	36	31	28	41	35	28	34	27	33	27	32	27	26	25	24	23	22	21	20	19	18	17					
5	39	32	27	23	37	31	23	30	23	29	23	28	23	22	21	20	19	18	17	16	15	14	13					
6	35	28	24	20	34	28	20	27	20	26	20	25	20	19	18	17	16	15	14	13	12	11	10					
7	33	25	21	18	32	25	18	24	17	23	17	23	17	16	15	14	13	12	11	10	9	8	7					
8	30	23	18	15	29	22	15	22	15	21	15	20	15	14	13	12	11	10	9	8	7	6	5					
9	28	21	16	13	27	20	13	20	13	19	13	18	13	12	11	10	9	8	7	6	5	4	3					
10	26	19	14	12	25	18	12	18	12	17	11	17	11	10	9	8	7	6	5	4	3	2	1					

Numbers indicate percentage values of reflectivity.

Go to [www.focalpointlights.com](http://www.focalpointlights.com) for additional photometric data.