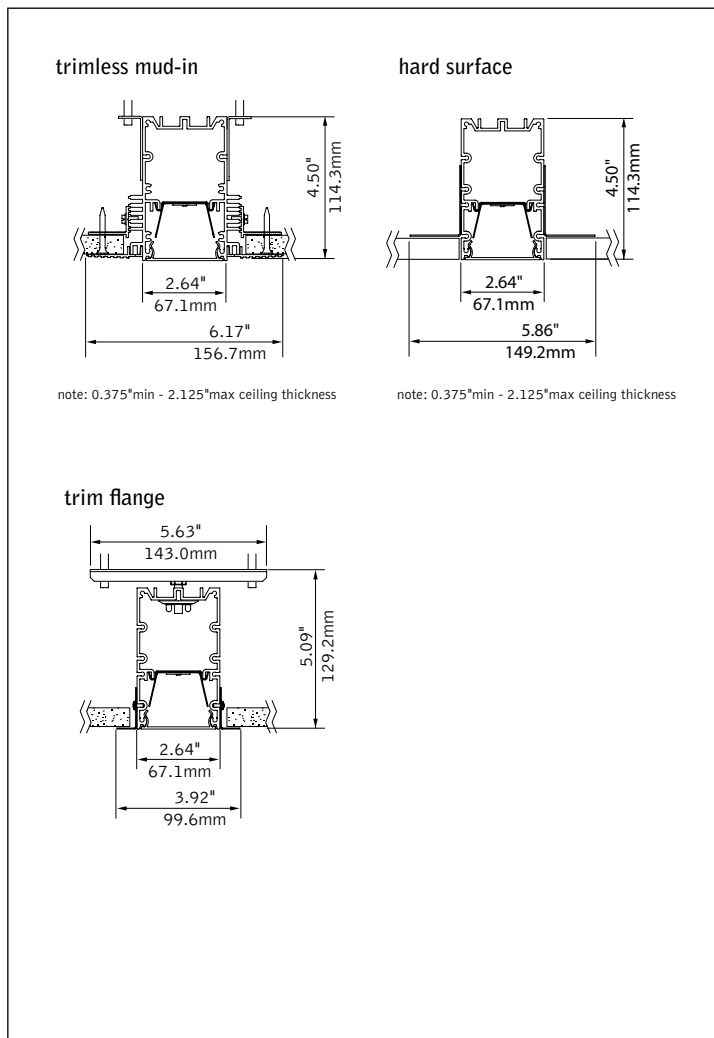


end detail

DIMENSIONAL DATA



FEATURES

Narrow extruded aluminum 2.5" aperture recessed slot LED suitable for wet location.

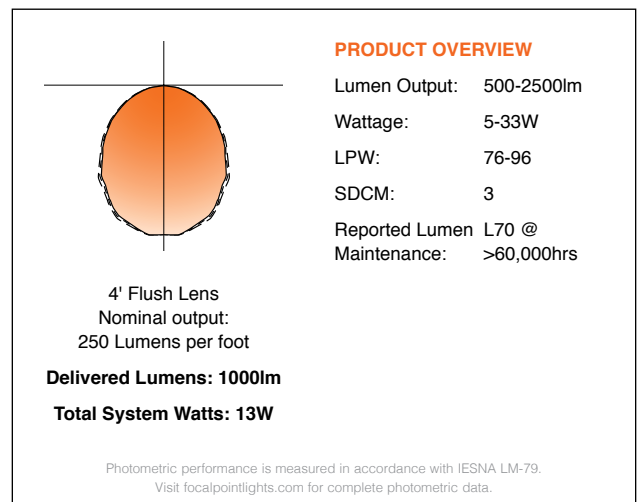
Integrates with ceiling for a clean, unobtrusive aesthetic.

Individual units in 1' increments up to 8'.

Frosted acrylic lens provides uninterrupted illumination, without pixels or shadows.

LED position and lens material optimized to provide the perfect blend of high performance and visual comfort.

PERFORMANCE



fixture:

project:

SPECIFICATIONS

LED System

Proprietary linear LED module incorporates premium LEDs on a robust platform to achieve excellent thermal management. LEDs are placed to promote a uniform appearance. Available in 3000K, 3500K, 4000K with CRI>80, 3SDCM. LED modules and drivers are replaceable from below.

Construction

One piece extruded aluminum housing. 20 Ga. steel end caps. Housing for new construction applications. 2' unit weight: 5.1 lbs., 3' unit weight: 7.6 lbs., 4' unit weight: 10.1 lbs., 5' unit weight: 12.6 lbs.

Optic

Reflectors fabricated of 22 Ga. steel finished in High Reflectance White powder coat. Extruded acrylic lens .07" thick with satin finish, up to 8' continuous.

Electrical

Luminaires are pre-wired with factory installed branch circuit wiring and over-molded quick connects. Standard 120-277V constant current driver includes 0-10V analog dimming. Power factor > .9.

Emergency Battery

IOTA CP-10. Emergency output - 10 watts for 90 minutes.

Labels

UL and cUL wet listed for recessed ceiling applications in indoor and outdoor locations. Lutron Drivers not recommended for outdoor environments below 0°C.

Finish

Polyester powder coat applied over a 5-stage pre-treatment.

Lumen Maintenance

Calculated: L70 at 77,000 hours Reported: L70 at >60,000 hours
Derived from EPA TM-21 calculator based on 10,000 hours of test data.

Warranty

LED system rated for operation in ambient environments up to 25°C. 5 year limited warranty.

4' PERFORMANCE CHART

Shielding	Lumens per Foot	Delivered Lumens	Tested System Watts	LPW
Flush Lens	125LF	500	5	96
	250LF	1000	13	80
	375LF	1500	19	79
	625LF	2500	33	76

*Based on 3500k, 4' lengths. *Lumen output may vary +/- 5%. Actual wattage may vary +/- 5%

ORDERING

Luminaire Series	FSM2LWL	FSM2LWL
Seem 2 LED Wet Location	FSM2LWL	
Shielding		FL
Flush Satin Lens <small>(Ceiling applications only)</small>	FL	
Lumen Output		
125 Lumens per foot <small>(Not available with L3D driver. 4' minimum)</small>	125LF	
250 Lumens per foot	250LF	
375 Lumens per foot	375LF	
625 Lumens per foot	625LF	
Color Temperature		
3000K	30K	
3500K	35K	
4000K	40K	
Circuit		1C
Single Circuit	1C	
Voltage		
120 Volt	120	
277 Volt	277	
UNV Volt	UNV	
<small>(Cannot be specified with EM option)</small>		
Driver		
<small>(See driver reference for driver quantities)</small>		
0-10V - 10% Dimming	LD1	
Lutron A-Series	L3D	
1% EcoSystem Digital <small>(3' minimum length with TF mounting. Not recommended for outdoor environments below 0°C. Consult factory for 3-wire control)</small>		
0-10V - 1% Dimming <small>(Consult factory)</small>		
Ceiling Configuration		
Trim Flange Drywall	TF	
Mud-in Trimless, pre-set for 1/2" Drywall	XF1	
Mud-in Trimless, pre-set for 5/8" Drywall	XF2	
Mud-in Trimless, set thickness in field <small>(Mounting equipment assembled in field)</small>	XFF	
Non-Drywall Hard Surface	XFN	
Factory Options		
Chicago Plenum	CP	
Emergency Circuit*	EC	
Emergency Battery Pack* <small>(4' lengths or longer)</small>	EM	
6' New York City Flex Whip	FNY	
6' Flex Whip	FW	
Finish		WH
Matte White Housing	WH	
Luminaire Length <small>(Lengths are nominal)</small>		
	2'	2'
<small>(not available with combination of TF & L3D options)</small>		
	3'	3'
	4'	4'
	5'	5'
	6'	6'
	7'	7'
	8'	8'
<small>(Smaller increments available. Consult factory for details.)</small>		

Seem[®] 2

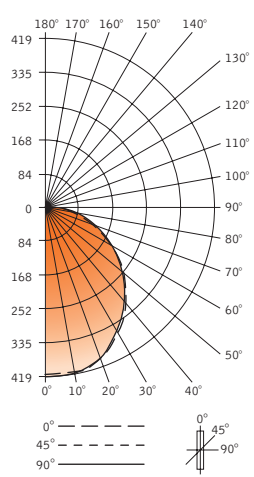
LED - FLUSH LENS

FSM2L-FL-250LF-35K-1C-120-LD1-G1-WH-4

Filename: FSM2LFL250LF35K.IES
Test #: 11482956.01

Lumens: 1155lm
System Watts: 13W
LPW: 85

CANDLEPOWER DISTRIBUTION



Vertical Angle	Horizontal Angle				
	0°	22.5°	45°	67.5°	90°
0°	419	419	419	419	419
5°	416	420	417	417	417
15°	399	403	400	400	400
25°	367	369	365	364	364
35°	319	321	317	316	315
45°	262	264	261	260	259
55°	203	204	201	201	201
65°	140	142	141	141	141
75°	79	81	81	81	82
85°	25	25	25	25	26
90°	1	3	3	3	3
95°	0	0	0	0	0
105°	0	0	0	0	0
115°	0	0	0	0	0
125°	0	0	0	0	0
135°	0	0	0	0	0
145°	0	0	0	0	0
155°	0	0	0	0	0
165°	0	0	0	0	0
175°	0	0	0	0	0
180°	0	0	0	0	0

LUMEN SUMMARY

Zone	Lumens	% Fixture
0-40°	520	45.0
0-60°	902	78.1
0-90°	1155	100.0
Total Luminaire 0-180°	1155	100.0

LUMINANCE DATA (CD/M²)

Vertical Angle	Horizontal		
	0°	45°	90°
45°	4895	4867	4837
55°	4658	4637	4622
65°	4373	4397	4400
75°	4044	4108	4156
85°	3776	3794	3860

Go to www.focalpointlights.com for additional photometric data.