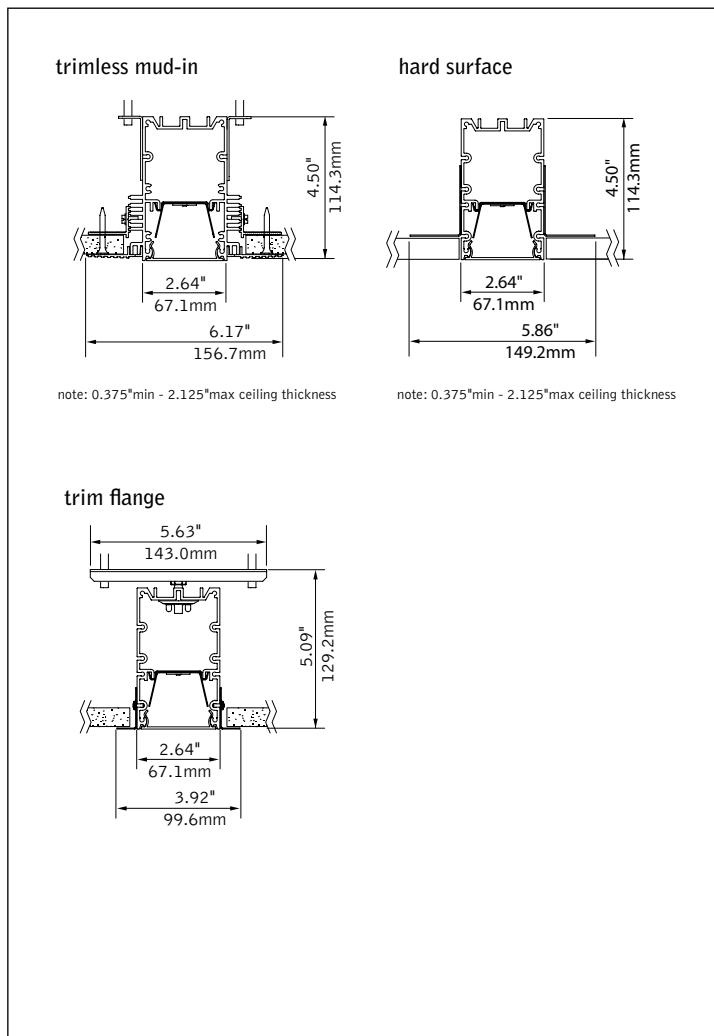


end detail

## DIMENSIONAL DATA



## FEATURES

Narrow extruded aluminum 2.5" aperture recessed slot LED suitable for wet location.

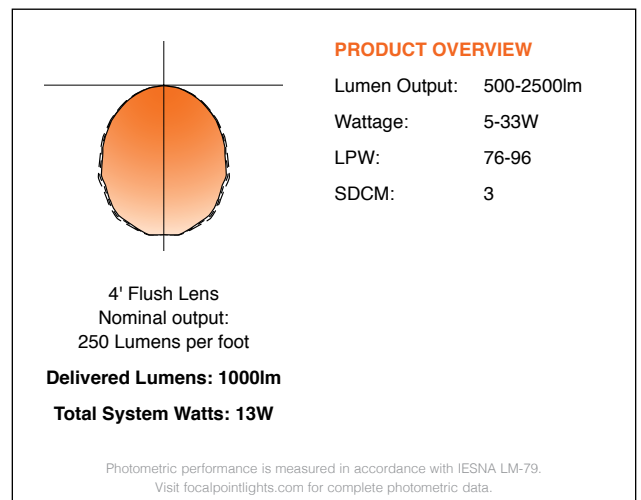
Integrates with ceiling for a clean, unobtrusive aesthetic.

Individual units in 1' increments up to 8'.

Frosted acrylic lens provides uninterrupted illumination, without pixels or shadows.

LED position and lens material optimized to provide the perfect blend of high performance and visual comfort.

## PERFORMANCE



fixture:

project:

### SPECIFICATIONS

#### LED System

Proprietary linear LED module incorporates premium LEDs on a robust platform to achieve excellent thermal management. LEDs are placed to promote a uniform appearance. Available in 3000K, 3500K, 4000K with CRI>80, 3SDCM. LED modules and drivers are replaceable from below.

#### Construction

One piece extruded aluminum housing. 20 Ga. steel end caps. Housing for new construction applications. 2' unit weight: 5.1 lbs., 3' unit weight: 7.6 lbs., 4' unit weight: 10.1 lbs., 5' unit weight: 12.6 lbs.

#### Optic

Reflectors fabricated of 22 Ga. steel finished in High Reflectance White powder coat. Extruded acrylic lens .07" thick with satin finish, up to 8' continuous.

#### Electrical

Luminaires are pre-wired with factory installed branch circuit wiring and over-molded quick connects. Standard 120-277V constant current driver includes 0-10V analog dimming. Power factor > .9.

#### Emergency Battery

Output - 10 watts for 90 minutes. Maximum mounting height: 17.9ft.

#### Labels

UL and cUL wet listed for recessed ceiling applications in indoor and outdoor locations. Lutron Drivers not recommended for outdoor environments below 0°C.

#### Finish

Polyester powder coat applied over a multi-stage pre-treatment.

#### Lumen Maintenance

Reported: L70 at >61,000 hours                      Calculated: L70 at 270,000 hours  
                    L90 at >61,000 hours                      L90 at 73,000 hours

Derived from EPA TM-21 calculator. Based on typical conditions, consult factory for additional data.

#### Reliability

At Focal Point, our products are designed to stand the test of time. Each luminaire is engineered using superior components, manufactured with the utmost care and rigorously tested. Contact us for reliability data.

#### Warranty

LED system rated for operation in ambient environments up to 25°C. 5-year limited warranty.

### 4' PERFORMANCE CHART

Shielding	Lumens per Foot	Delivered Lumens	Tested System Watts	LPW
Flush Lens	125LF	500	5	96
	250LF	1000	13	80
	375LF	1500	19	79
	625LF	2500	33	76

Based on 3500k, 4' lengths. \*Lumen output may vary +/- 5%. Actual wattage may vary +/- 5%

### ORDERING

Luminaire Series	FSM2LWL	FSM2LWL
Seem 2 LED Wet Location	FSM2LWL	
<b>Shielding</b>		<b>FL</b>
Flush Satin Lens <small>(Ceiling applications only)</small>	FL	
<b>Lumen Output</b>		
125 Lumens per foot <small>(Not available with L3D driver. 4' minimum)</small>	125LF	
250 Lumens per foot	250LF	
375 Lumens per foot	375LF	
625 Lumens per foot	625LF	
<b>Color Temperature</b>		
3000K	30K	
3500K	35K	
4000K	40K	
<b>Circuit</b>		<b>1C</b>
Single Circuit	1C	
<b>Voltage</b>		<b>UNV</b>
UNV 120/277 Volt	UNV	
<b>Control System &amp; Dimming Level</b>		
0-10V - 1% Dimming <small>(Consult factory)</small>	L11	
0-10V - 10% Dimming	LD1	
Lutron A-Series 1% EcoSystem Digital <small>(3' minimum length with TF mounting. Not recommended for outdoor environments below 0°C. Consult factory for 3-wire control)</small>	L3D	
<b>Ceiling Configuration</b>		
Trim Flange Drywall	TF	
Mud-in Trimless, pre-set for 1/2" Drywall	XF1	
Mud-in Trimless, pre-set for 5/8" Drywall	XF2	
Mud-in Trimless, set thickness in field <small>(Mounting equipment assembled in field)</small>	XFF	
Non-Drywall Hard Surface	XFN	
<b>Factory Options</b>		
Chicago Plenum	CP	
Emergency Circuit	EC	
Emergency Battery Pack <small>(4' lengths or longer)</small>	EM	
6' New York City Flex Whip	FNY	
6' Flex Whip	FW	
<b>Finish</b>		<b>WH</b>
Matte White Housing	WH	
<b>Luminaire Length</b> <small>(Lengths are nominal)</small>		
	2'	2'
<small>(not available with combination of TF &amp; L3D options)</small>		
	3'	3'
	4'	4'
	5'	5'
	6'	6'
	7'	7'
	8'	8'
<small>(Smaller increments available. Consult factory for details.)</small>		

# Seem<sup>®</sup>2

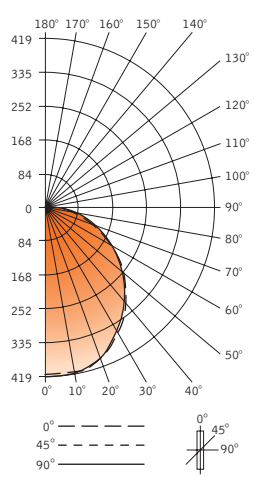
LED - FLUSH LENS

**FSM2L-FL-250LF-35K-1C-120-LD1-G1-WH-4**

Filename: FSM2LFL250LF35K.IES  
Test #: 11482956.01

Lumens: 1155lm  
System Watts: 13W  
LPW: 85

## CANDLEPOWER DISTRIBUTION



Vertical Angle	Horizontal Angle				
	0°	22.5°	45°	67.5°	90°
0°	419	419	419	419	419
5°	416	420	417	417	417
15°	399	403	400	400	400
25°	367	369	365	364	364
35°	319	321	317	316	315
45°	262	264	261	260	259
55°	203	204	201	201	201
65°	140	142	141	141	141
75°	79	81	81	81	82
85°	25	25	25	25	26
90°	1	3	3	3	3
95°	0	0	0	0	0
105°	0	0	0	0	0
115°	0	0	0	0	0
125°	0	0	0	0	0
135°	0	0	0	0	0
145°	0	0	0	0	0
155°	0	0	0	0	0
165°	0	0	0	0	0
175°	0	0	0	0	0
180°	0	0	0	0	0

## LUMEN SUMMARY

Zone	Lumens	% Fixture
0-40°	520	45.0
0-60°	902	78.1
0-90°	1155	100.0
<b>Total Luminaire 0-180°</b>	<b>1155</b>	<b>100.0</b>

## LUMINANCE DATA (CD/M<sup>2</sup>)

Vertical Angle	Horizontal		
	0°	45°	90°
45°	4895	4867	4837
55°	4658	4637	4622
65°	4373	4397	4400
75°	4044	4108	4156
85°	3776	3794	3860

Go to [www.focalpointlights.com](http://www.focalpointlights.com) for additional photometric data.