

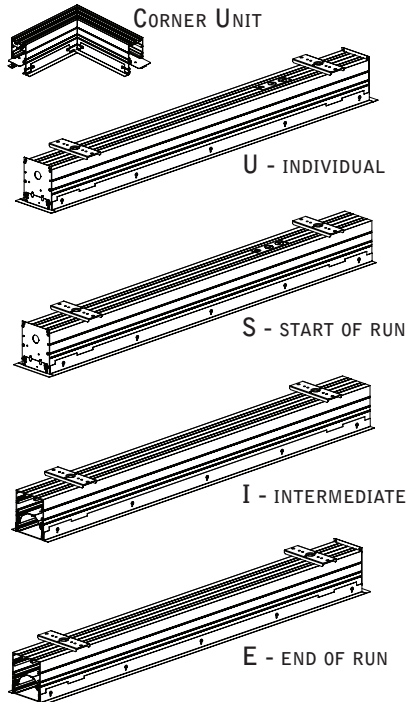
seem 2™ led trim flange

FSM2L-TF



NEW CONSTRUCTION ONLY
 CONFIGURATIONS ARE RUN SPECIFIC, PLEASE CONSULT FACTORY DRAWINGS BEFORE BEGINNING INSTALLATION.

FOCAL POINT

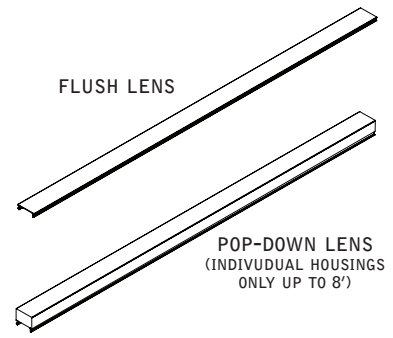


PARTS LISTS

INCLUDED HARDWARE	
REFLECTOR SCREW (72010) (8-18 x 1/4 SELF TAPPING SCREW)	LENS TOOL (A10554-01) (AFFIXED TO HOUSING. ONE PER RUN)
PARTS SHIPPED INSTALLED	
JOINER BRACKET ASSEMBLY (72010) (A11623-01)	MOUNTING BRACKET ASSEMBLY (71904) (17999) (71025) (71024) LENS END PIECE (A08608) JOINER PIN (70058)

KEY

- POWER OFF
- POWER ON
- ATTENTION



MOUNTING BRACKET MUST BE INSTALLED PRIOR TO DRYWALL

MOUNTING BRACKET MUST BE SECURED TO STRUCTURE ABOVE.
 1/4" - 20 CARRIAGE BOLT MAY BE SUPPLIED BY OTHERS FOR GREATER ADJUSTABILITY.

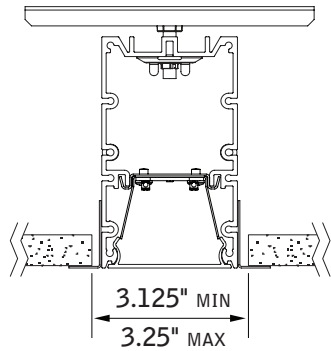
MOUNTING LOCATIONS

housing length	A	B	C
2'	2.5"	18"	19"
3'	2.5"	30"	31"
4'	2.5"	42"	43"
5'	2.5"	54"	55"
6'	2.5"	66"	67"
7'	2.5"	78"	79"
8'	2.5"	90"	91"

MOUNTING LOCATION CHART IS AN APPROXIMATE GUIDE ONLY.

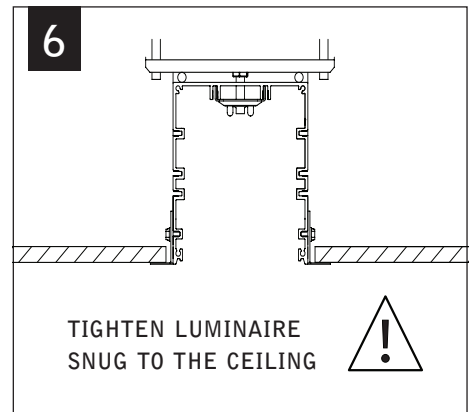
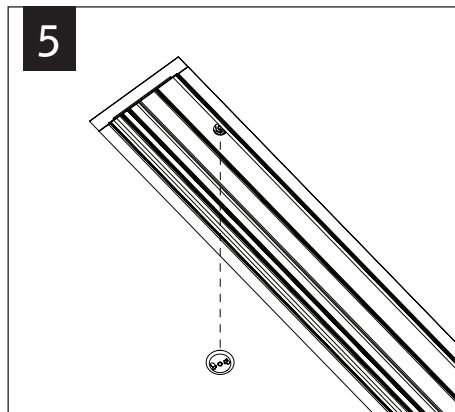
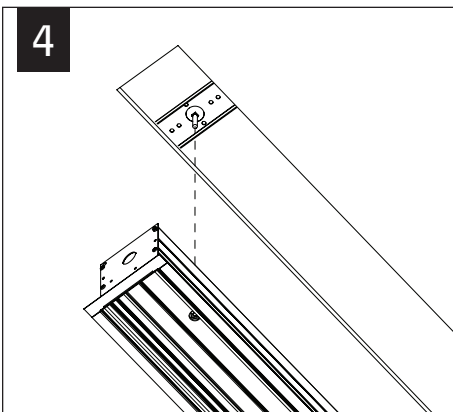
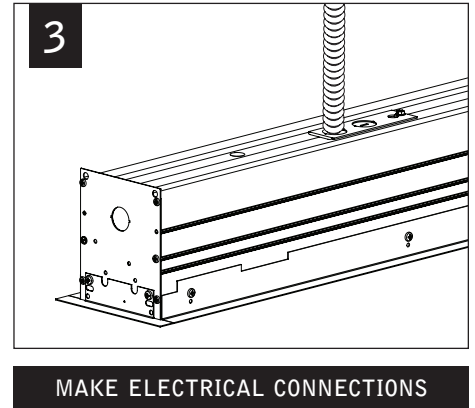
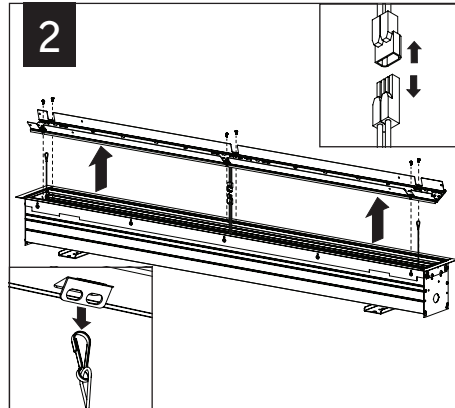
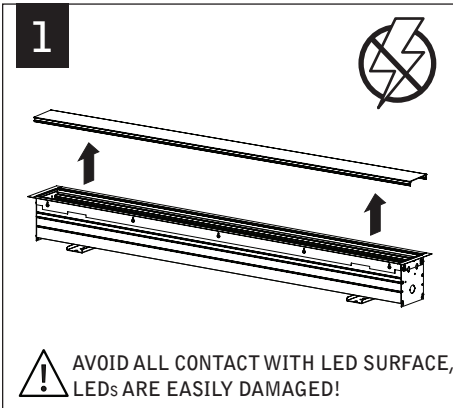
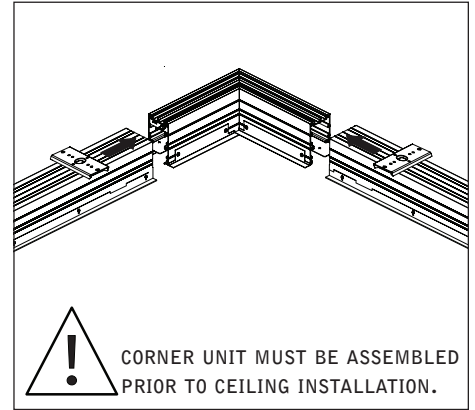
Luminaires must be installed by a qualified electrician (check with local and national codes for proper installation).
 To prevent electrical shock, disconnect electrical supply before installation or servicing.

CEILING CUTOUT



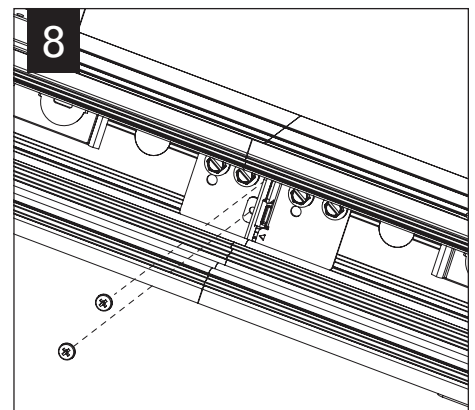
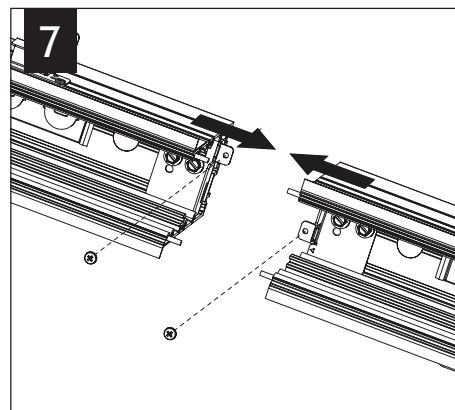
CEILING CUTOUT LENGTH =
NOMINAL RUN LENGTH MINUS 5/16" (+/- 1/16")

EXAMPLE:
12' RUN LENGTH = 11' 11-3/4" CUTOUT LENGTH

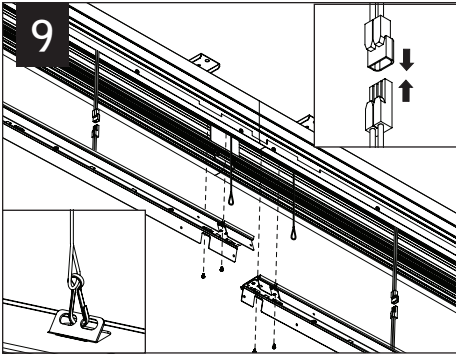


**REPEAT STEPS 4-6
UNTIL ALL UNITS ARE
IN THE CEILING**

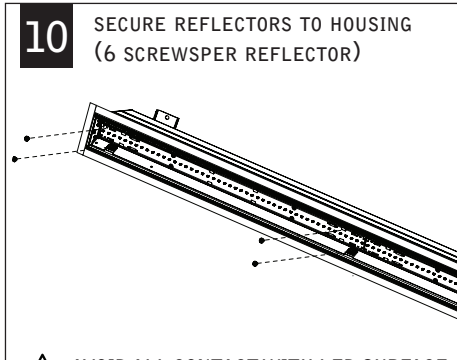
INDIVIDUAL INSTALLATIONS
SKIP TO STEP 9



Luminaires must be installed by a qualified electrician (check with local and national codes for proper installation).
To prevent electrical shock, disconnect electrical supply before installation or servicing.

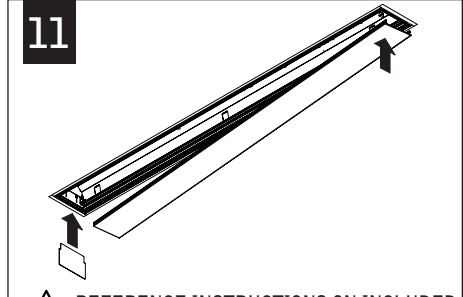


9
MAKE ELECTRICAL CONNECTIONS



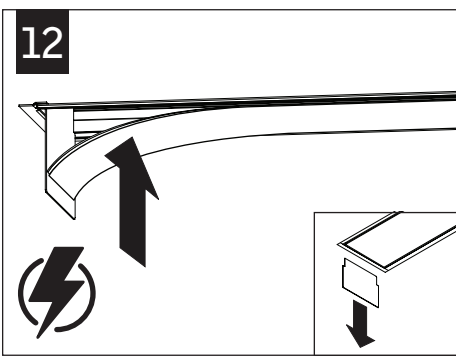
10 SECURE REFLECTORS TO HOUSING
(6 SCREWS PER REFLECTOR)
! AVOID ALL CONTACT WITH LED SURFACE,
LEDs ARE EASILY DAMAGED!

FLUSH LENS



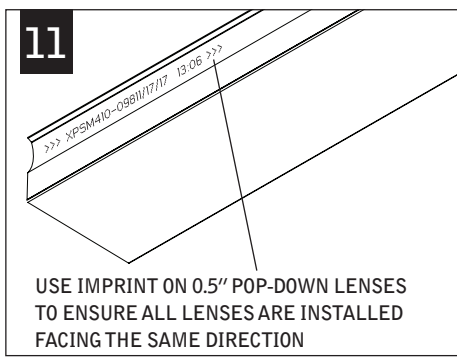
11
! REFERENCE INSTRUCTIONS ON INCLUDED
TOOL FOR LENS INSTALLATION.

FLUSH LENS

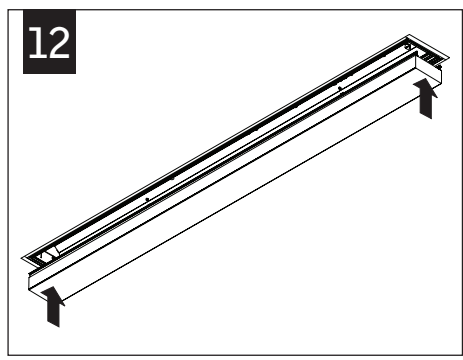


12

POP-DOWN LENS

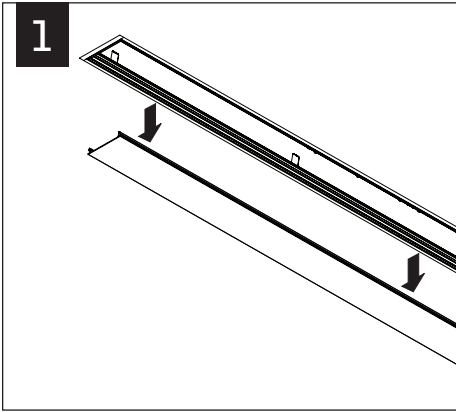


11
USE IMPRINT ON 0.5" POP-DOWN LENSES
TO ENSURE ALL LENSES ARE INSTALLED
FACING THE SAME DIRECTION

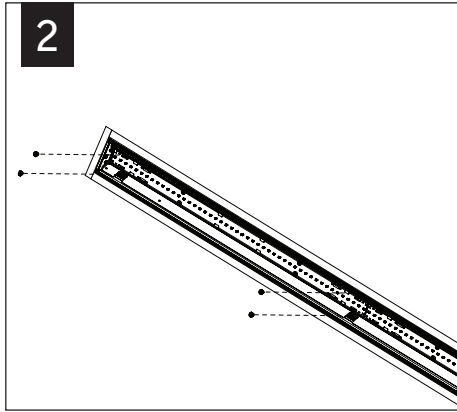


12

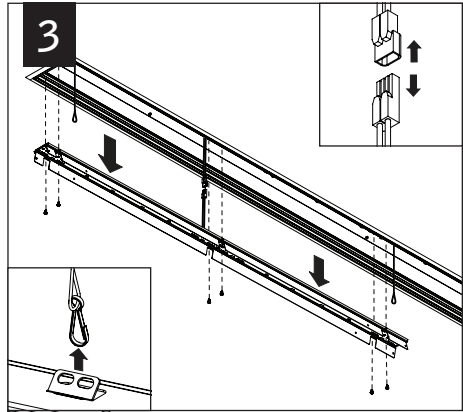
DRIVER SERVICE



1



2



3

EMERGENCY



**SEE BATTERY MANUFACTURER
INSTRUCTIONS**

EMERGENCY MAXIMUM MOUNTING HEIGHT:
19.00'

Contractor is responsible for adequately reinforcing walls and/or ceilings to support luminaire weight. Focal Point, LLC accepts no responsibility for inadequately reinforced walls and/or ceilings. The information contained in this drawing is the sole property of Focal Point, LLC. Any reproduction in part or whole without the written permission of Focal Point, LLC is prohibited.