

seem 2™ led mud-in drywall

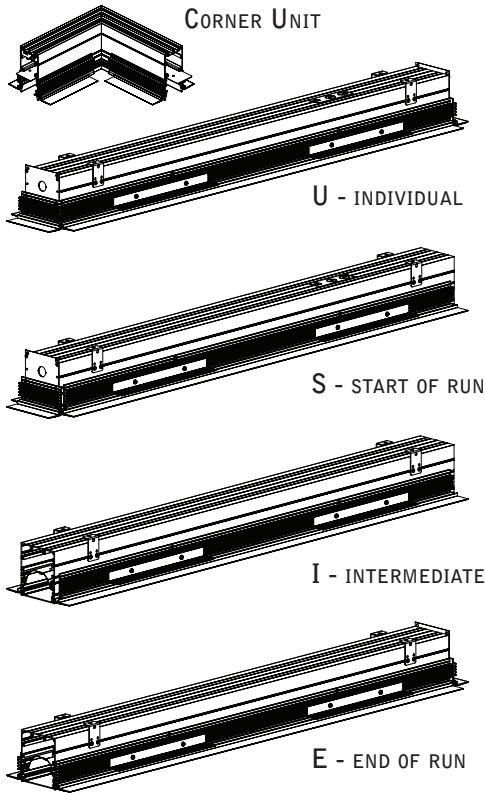
FSM2L -XF



! LUMINAIRE MUST BE INSTALLED PRIOR TO DRYWALL. !

! CONFIGURATIONS ARE RUN SPECIFIC, PLEASE CONSULT FACTORY DRAWINGS BEFORE BEGINNING INSTALLATION. !

FOCAL POINT



PARTS LISTS

INCLUDED HARDWARE

REFLECTOR SCREW (72010)
(8-18 x 1/4 SELF TAPPING SCREW)

MUD FLANGE (70005)
(8-32 X 5/16" FLAT UNDERCUT HEAD SCREW)

BACKER FLANGE (72001) (8-32X 3/8" WASHER HEX HEAD SCREW)

LENS TOOL (A09052-01)
(AFFIXED TO HOUSING, ONE PER RUN)

SHIPPED INSTALLED

TIE-WIRE BRACKET SCREW (72010)
(8-18 x 1/4 SELF TAPPING SCREW)

JOINER BRACKET ASSEMBLY (72010)

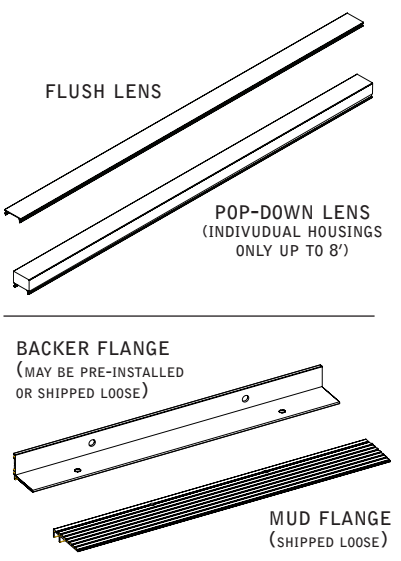
TIE WIRE BRACKET (12547)

LENS END PIECE (A08608)

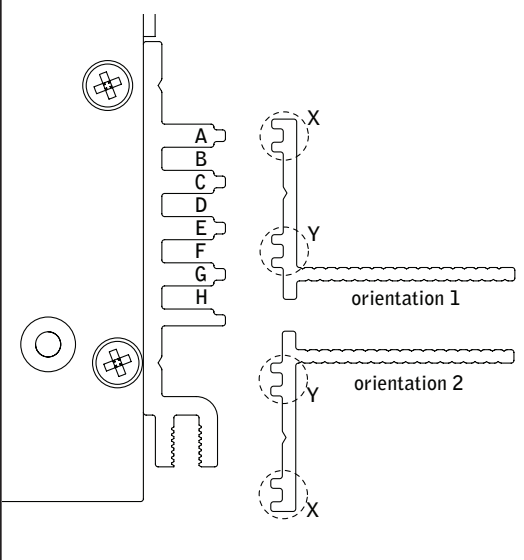
JOINER PIN (70058)

KEY

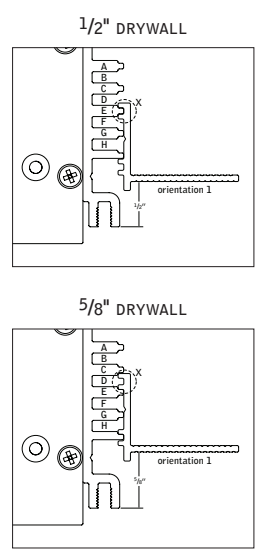
- POWER OFF
- POWER ON
- ATTENTION



BACKER FLANGE PLACEMENT GUIDE

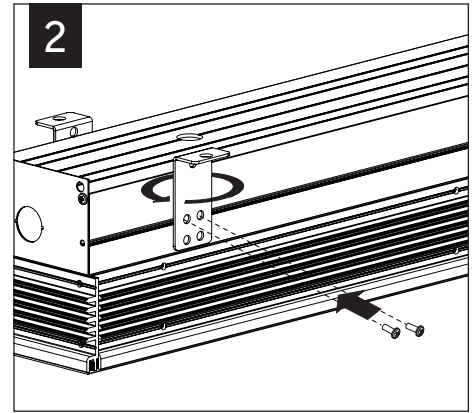
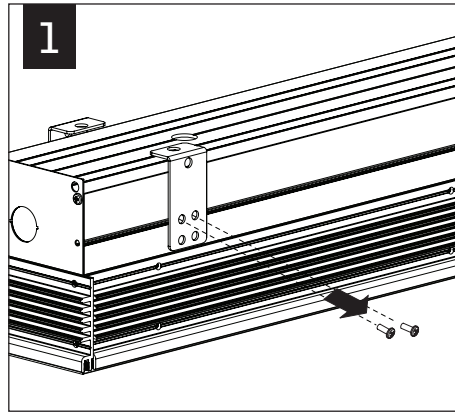
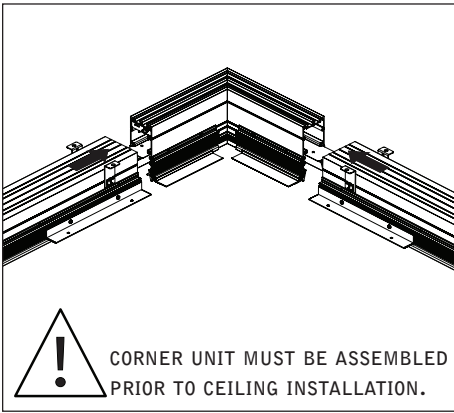


DRYWALL THICKNESS	ORIENTATION	GUIDE POINT	POSITION
3/8"	1	X	F
1/2"	1	X	E
5/8"	1	X	D
3/4"	1	X	C
7/8"	1	X	B
1"	1	X	A
1 1/8"	1	Y	G
1 1/4"	2	Y	F
1 3/8"	2	Y	E
1 1/2"	2	Y	D
1 5/8"	2	Y	C
1 3/4"	2	Y	B
1 7/8"	2	Y	A
2"	2	X	E
2 1/8"	2	X	D



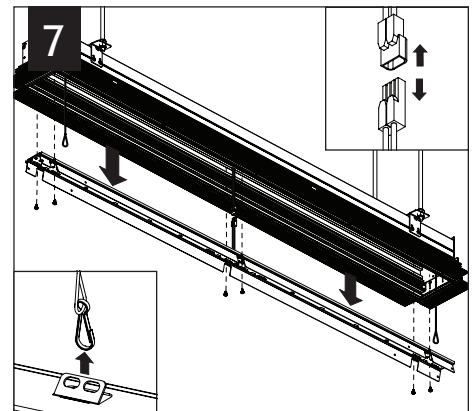
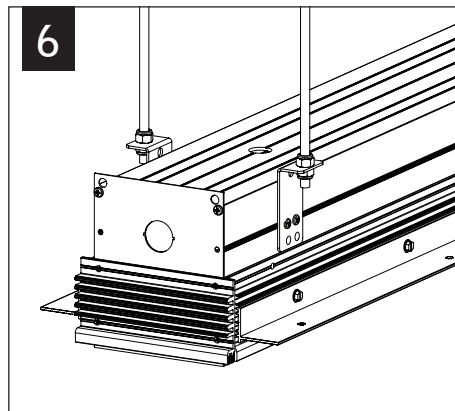
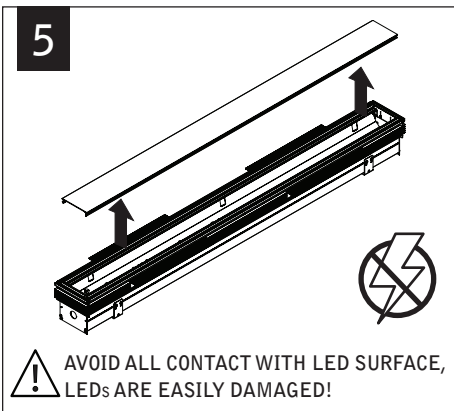
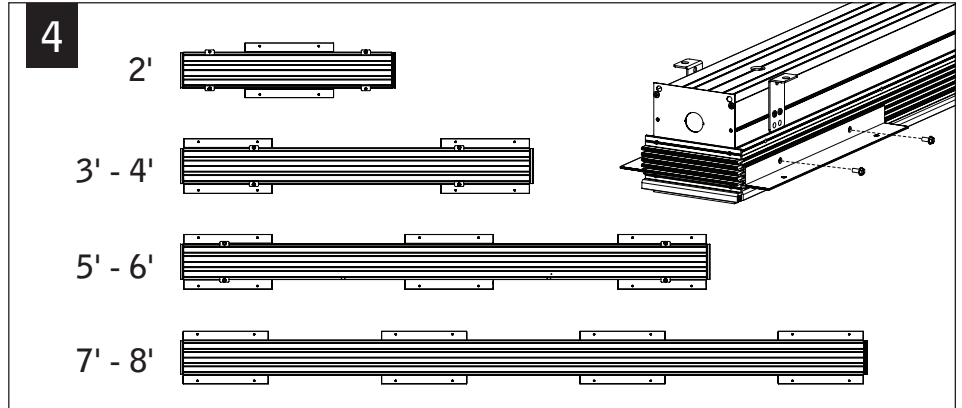
Luminaires must be installed by a qualified electrician (check with local and national codes for proper installation).
To prevent electrical shock, disconnect electrical supply before installation or servicing.

CEILING INSTALLATION (SEE PAGE 4 FOR WALL INSTALLATION)

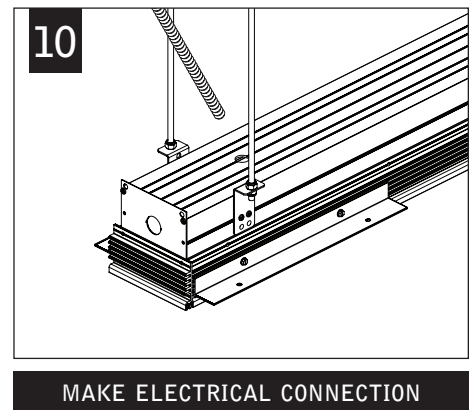
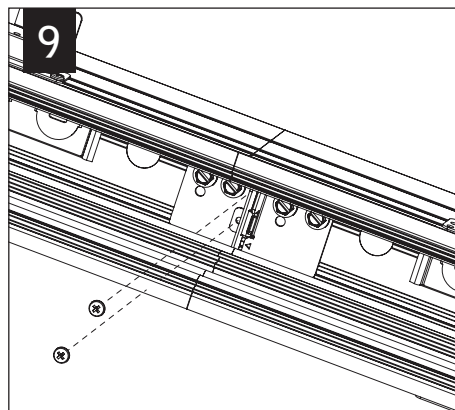
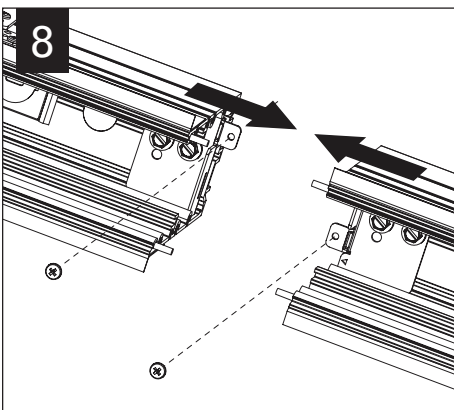


3 USING THE BACKER FLANGE PLACEMENT GUIDE FROM PAGE 1 DETERMINE THE PROPER PLACEMENT OF THE BACKER FLANGE FOR YOUR DRYWALL THICKNESS.

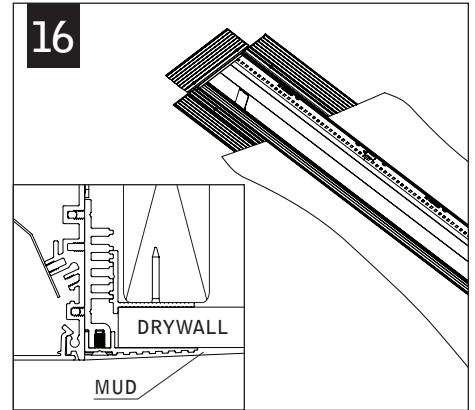
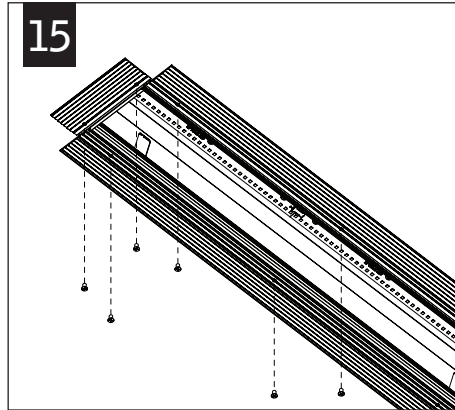
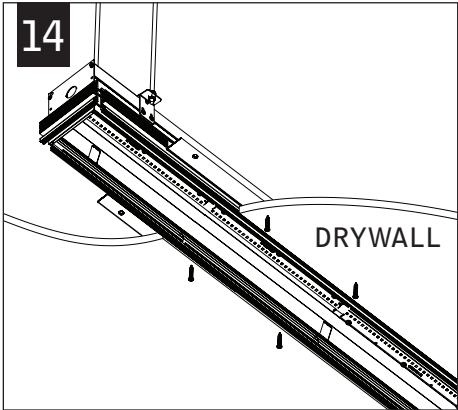
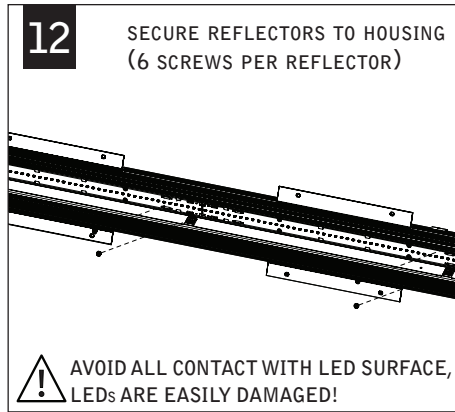
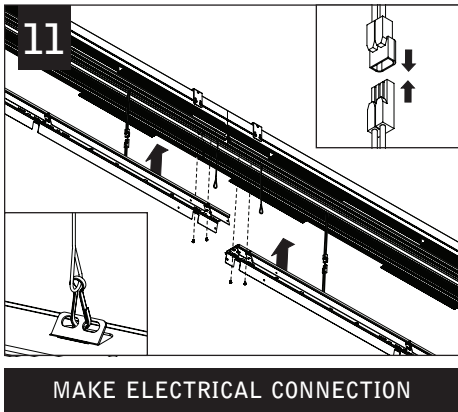
IF BACKER FLANGES WERE PRE-INSTALLED SKIP TO STEP 5



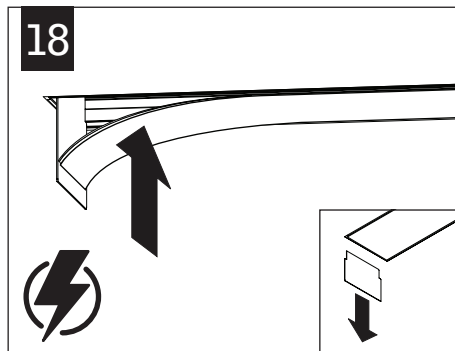
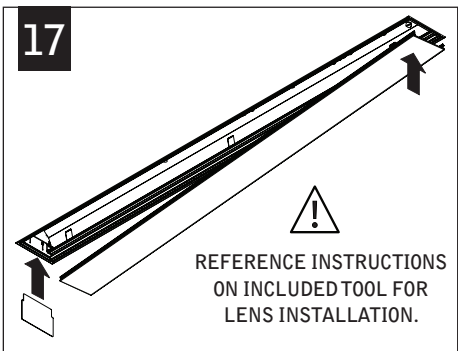
INDIVIDUAL INSTALLATIONS SKIP TO STEP 10



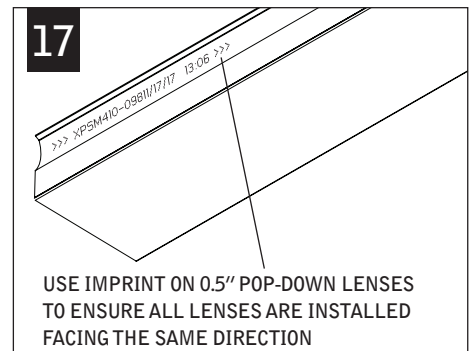
Luminaires must be installed by a qualified electrician (check with local and national codes for proper installation). To prevent electrical shock, disconnect electrical supply before installation or servicing.



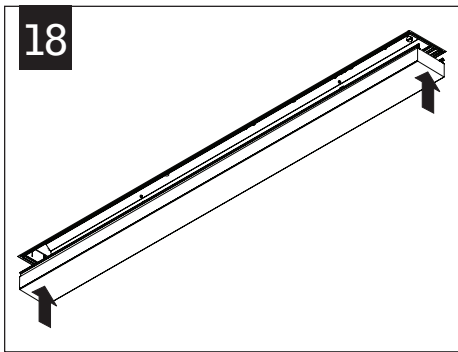
FLUSH LENS



POP-DOWN LENS



POP-DOWN LENS



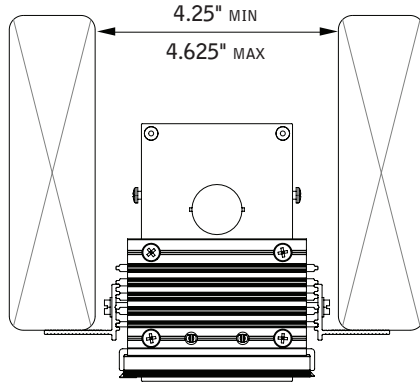
Luminaires must be installed by a qualified electrician (check with local and national codes for proper installation).
To prevent electrical shock, disconnect electrical supply before installation or servicing.

WALL INSTALLATION

1



2"x6" FRAMING
REQUIRED ON BOTH
SIDES OF OF HOUSING

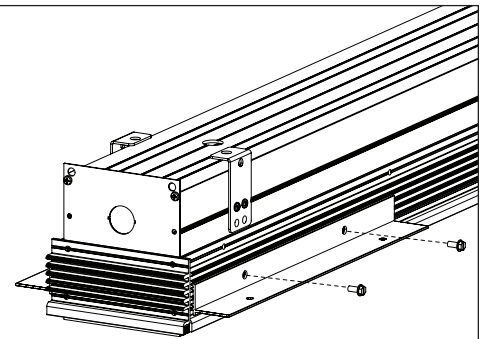
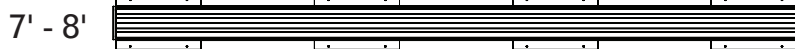


2

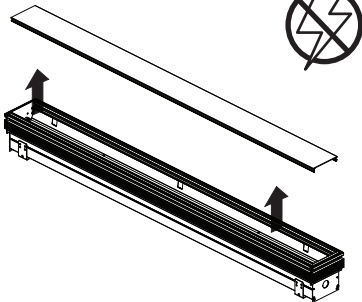
USING THE BACKER FLANGE
PLACEMENT GUIDE FROM
PAGE 1 DETERMINE THE
PROPER PLACEMENT OF THE
BACKER FLANGE FOR YOUR
DRYWALL THICKNESS.

IF BACKER FLANGES WERE
PRE-INSTALLED SKIP TO STEP 4

3

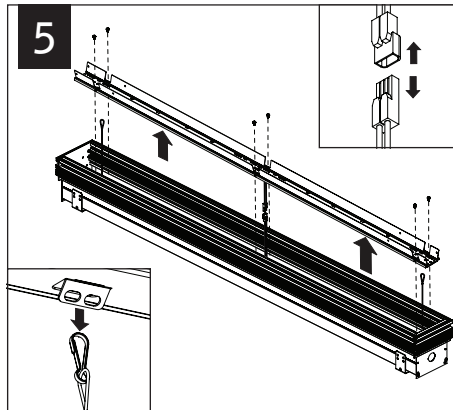


4



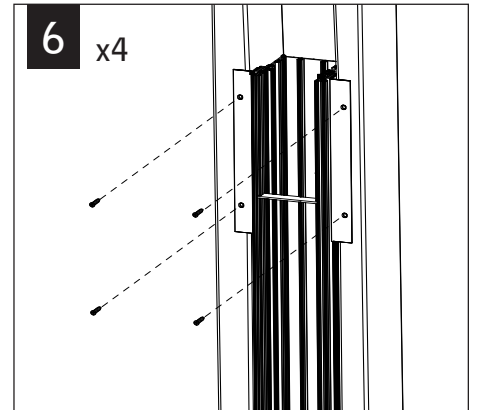
⚠️ AVOID ALL CONTACT WITH LED SURFACE,
LEDs ARE EASILY DAMAGED!

5



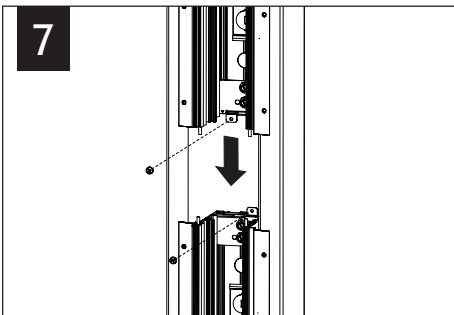
6

x4

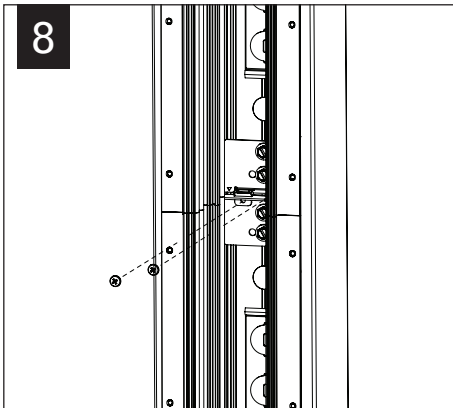


INDIVIDUAL INSTALLATIONS SKIP
TO STEP 9

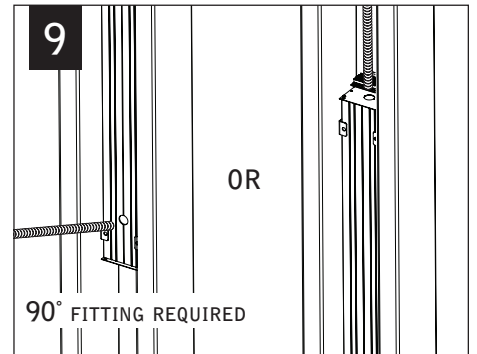
7



8

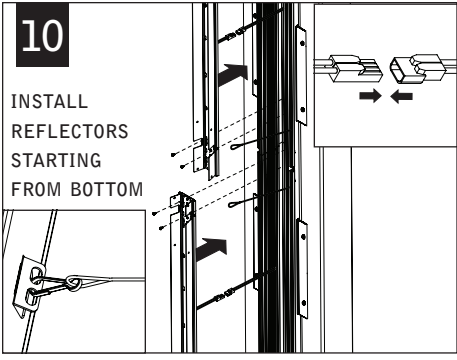


9

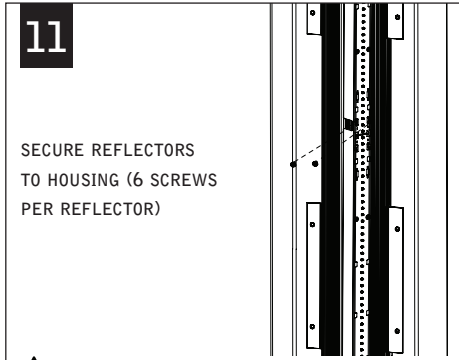


MAKE ELECTRICAL CONNECTIONS

Luminaires must be installed by a qualified electrician (check with local and national codes for proper installation).
To prevent electrical shock, disconnect electrical supply before installation or servicing.



MAKE ELECTRICAL CONNECTIONS



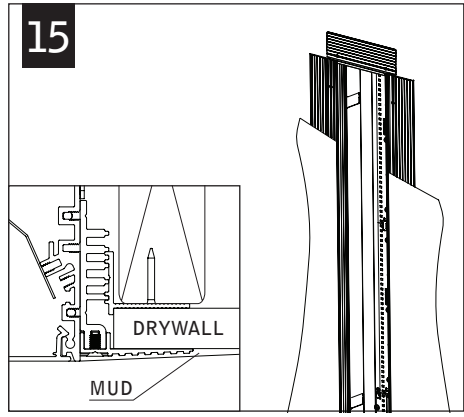
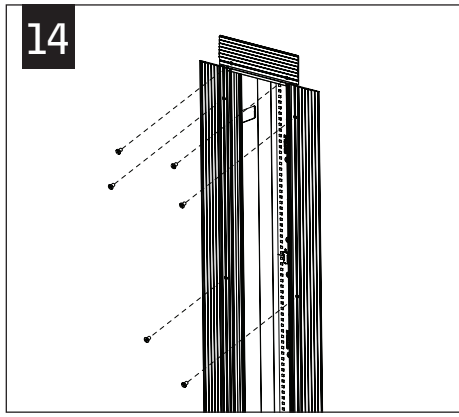
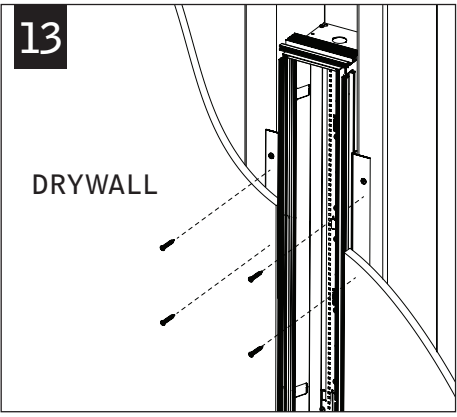
AVOID ALL CONTACT WITH LED SURFACE, LEDs ARE EASILY DAMAGED!

12

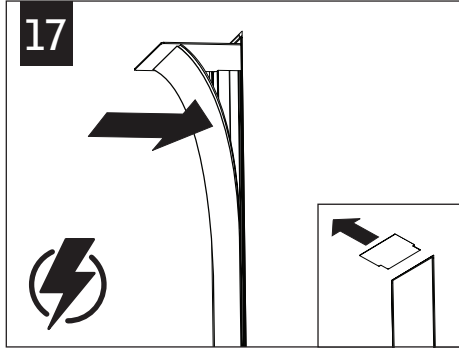
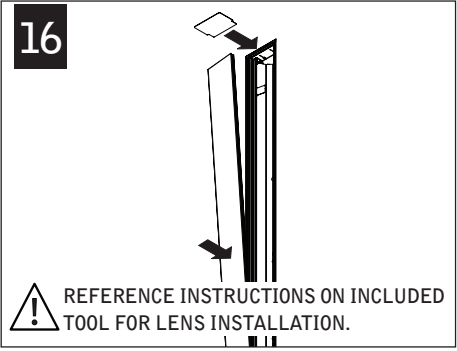


ATTENTION

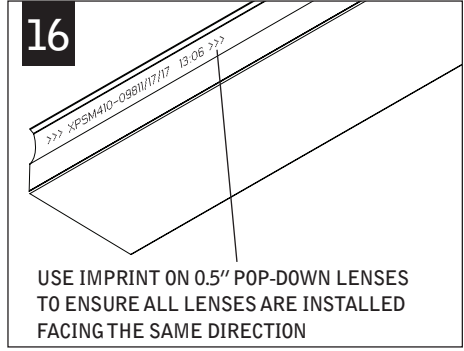
BEFORE BEGINNING DRYWALL INSTALLATION CONSULT GUIDE ON PAGE 1 TO ENSURE THE BACKER FLANGE IS SET AT THE CORRECT DEPTH FOR THE DRYWALL.



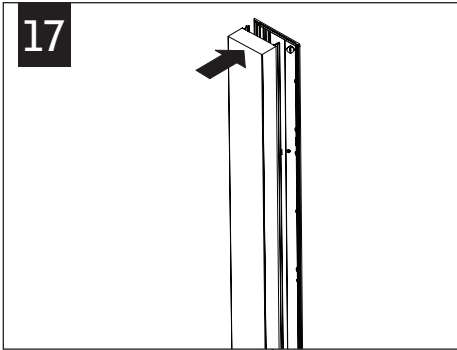
FLUSH LENS



POP-DOWN LENS

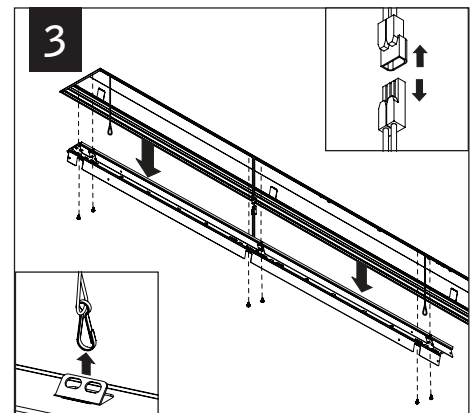
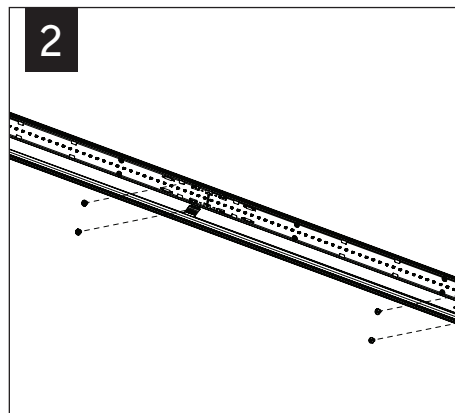
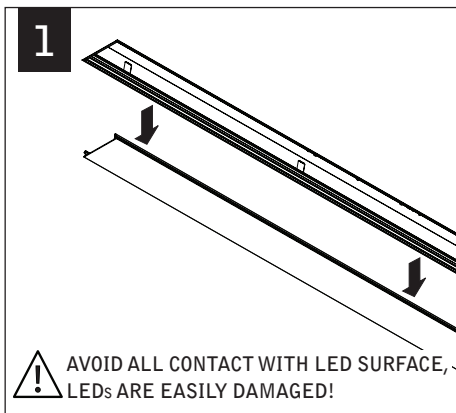


POP-DOWN LENS



Luminaires must be installed by a qualified electrician (check with local and national codes for proper installation).
To prevent electrical shock, disconnect electrical supply before installation or servicing.

DRIVER SERVICE



EMERGENCY



SEE BATTERY MANUFACTURER
INSTRUCTIONS

EMERGENCY MAXIMUM MOUNTING HEIGHT:
19.00'