

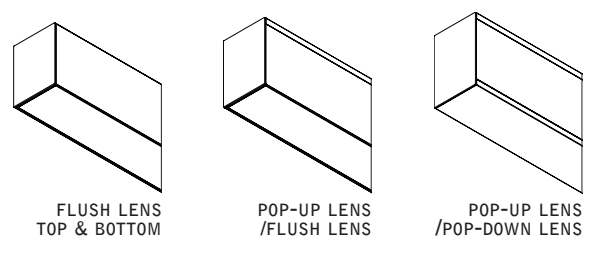
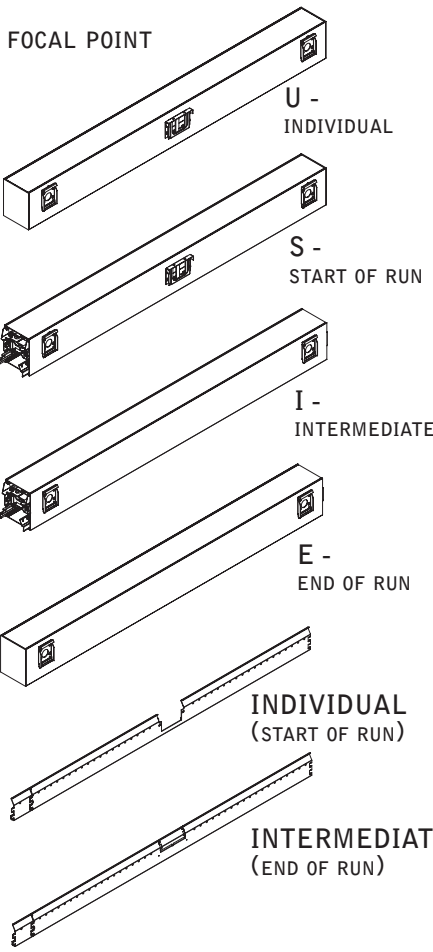
seem™ 4 led direct/indirect wall mount

FSM4BW



FOCAL POINT™

! CONFIGURATIONS ARE RUN SPECIFIC, PLEASE CONSULT FACTORY DRAWINGS BEFORE BEGINNING INSTALLATION. !



- KEY**
- POWER OFF
 - POWER ON
 - ATTENTION
 - SEE ADDITIONAL INSTRUCTIONS

! INDIVIDUAL INSTALLATIONS FOLLOW STEPS 1-3 & 6

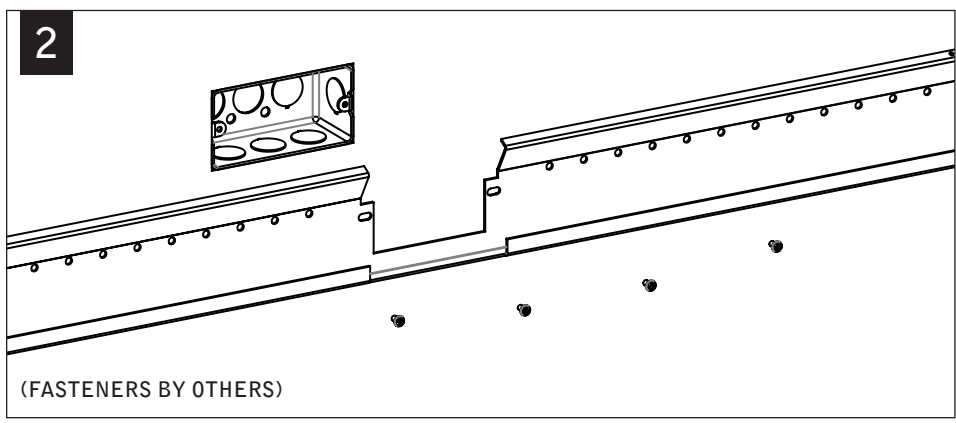
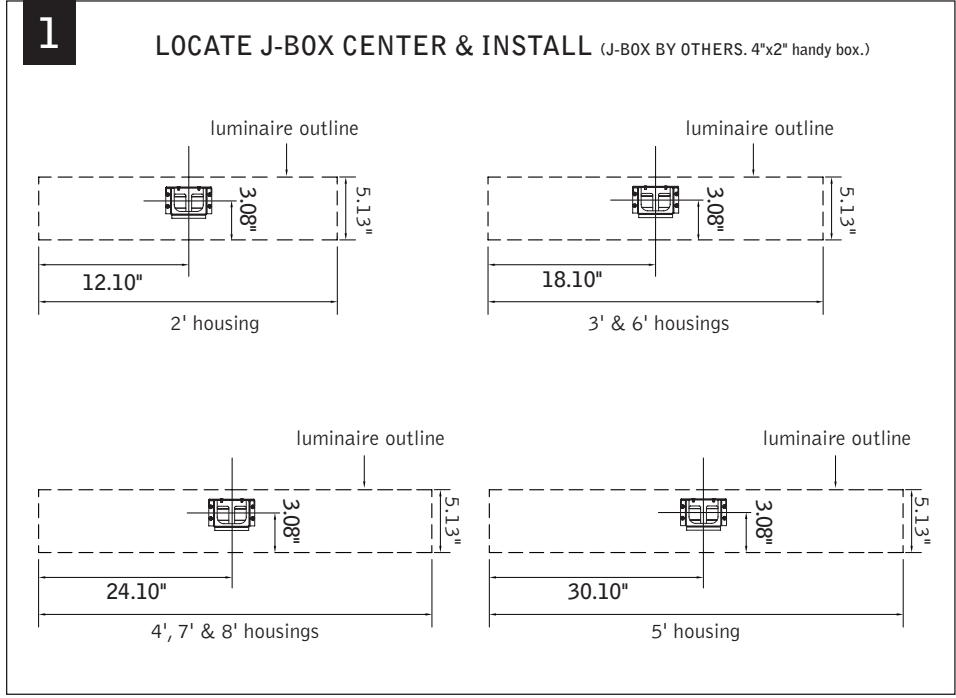
PARTS LISTS

SHIPPED IN HARDWARE BAG

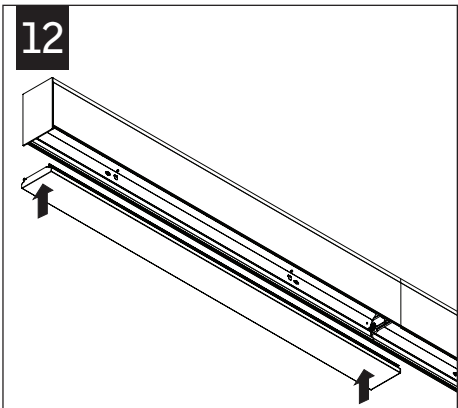
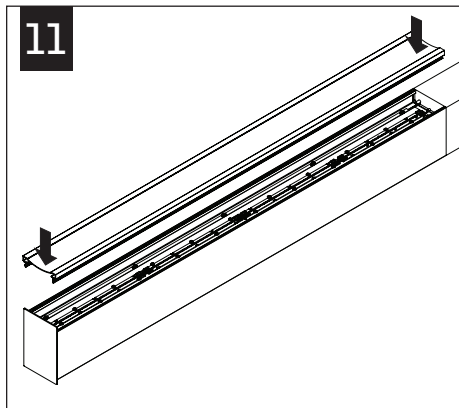
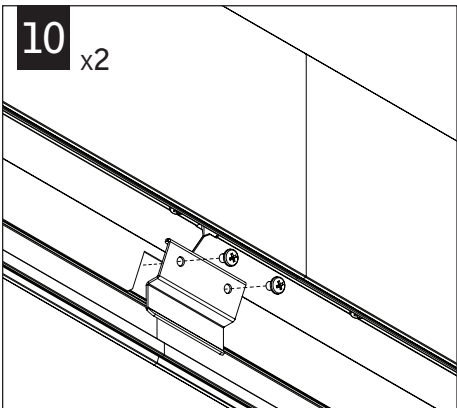
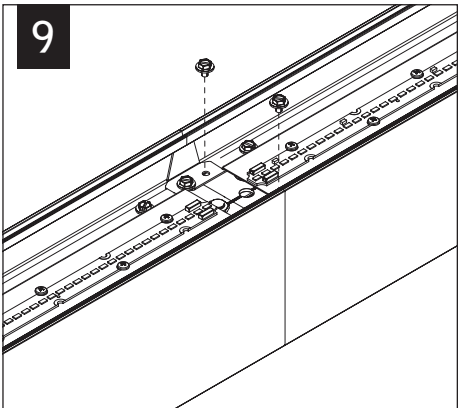
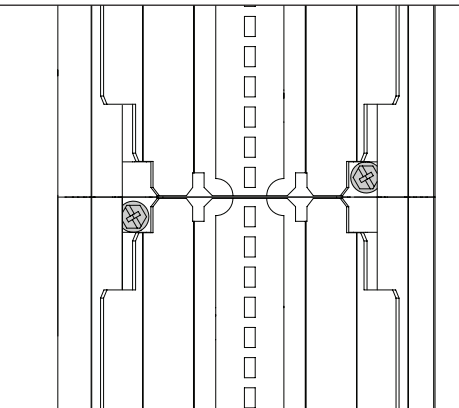
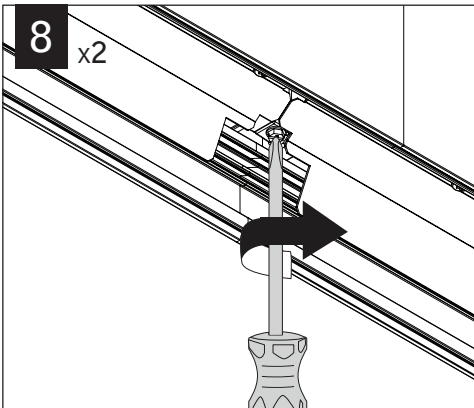
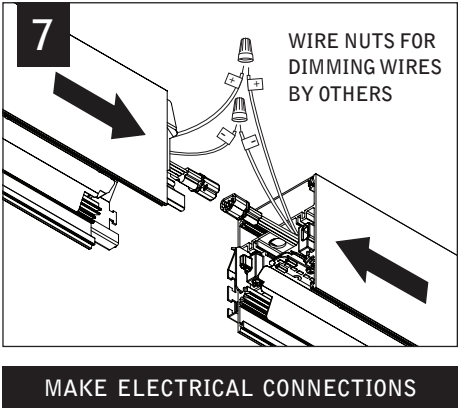
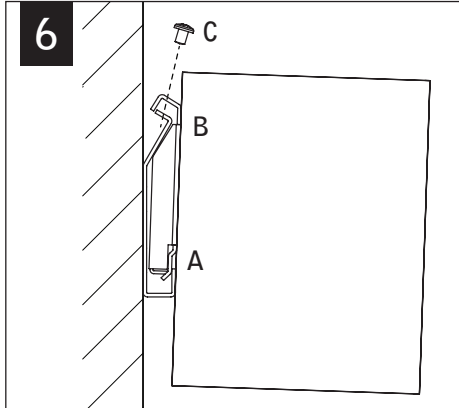
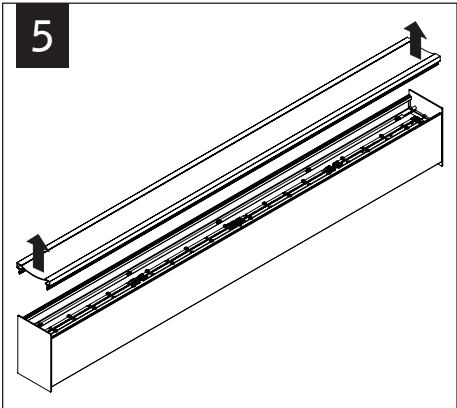
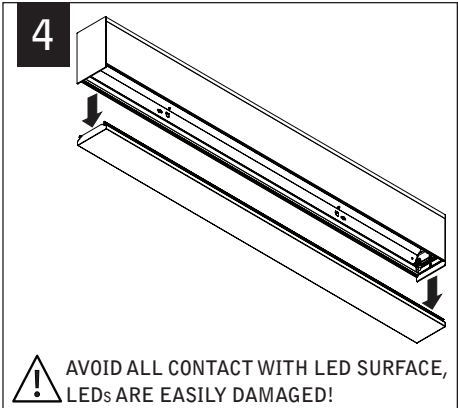
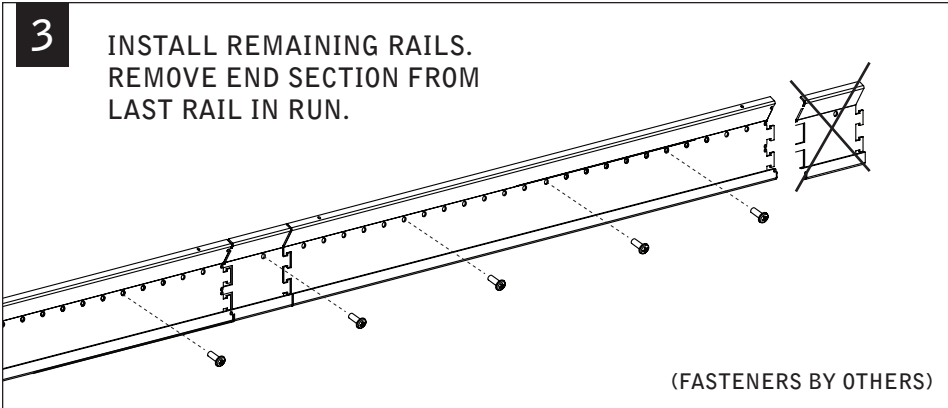
- JOINER (72010)
(6-32 X 5/16 PAN-HEAD MACHINE SCREW)
- LENS TOOL (A09052-02)
(AFFIXED TO HOUSING, ONE PER RUN)
- BOTTOM BRACKET JOINER (A17932-01)

SHIPPED INSTALLED

- TOP BRACKET JOINER (A15936-01)
- LENS END PIECE (A08904)
- JOINER ASSEMBLY (A16766-01)



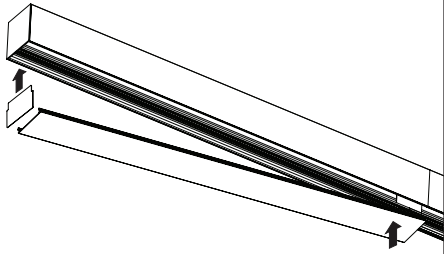
Luminaires must be installed by a qualified electrician (check with local and national codes for proper installation).
To prevent electrical shock, disconnect electrical supply before installation or servicing.



Luminaires must be installed by a qualified electrician (check with local and national codes for proper installation).
To prevent electrical shock, disconnect electrical supply before installation or servicing.

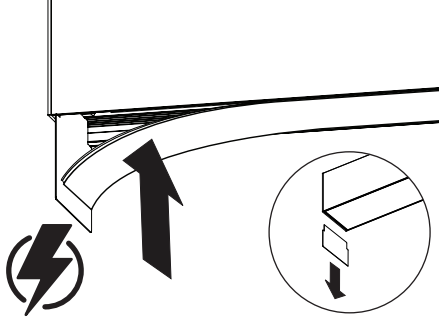
FLUSH LENS

12



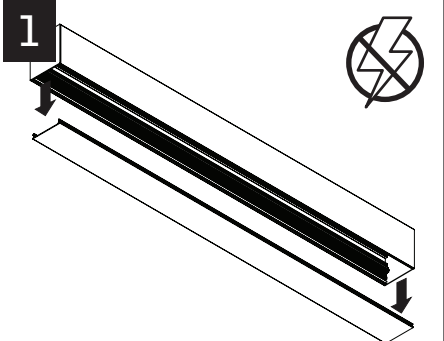
⚠ REFERENCE INSTRUCTIONS ON INCLUDED TOOL FOR LENS INSTALLATION.

13



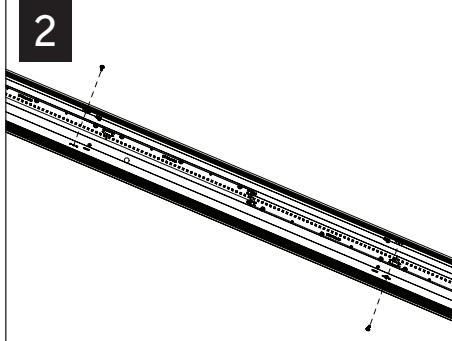
DRIVER SERVICE

1



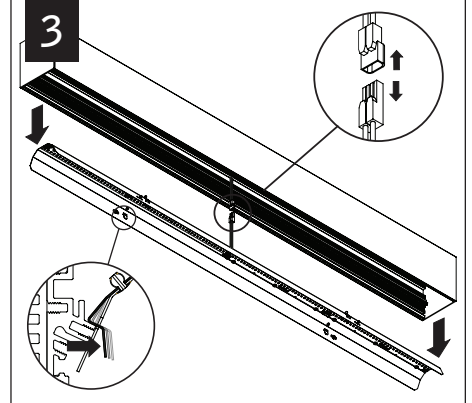
⚠ AVOID ALL CONTACT WITH LED SURFACE, LEDs ARE EASILY DAMAGED!

2



⚠ AVOID ALL CONTACT WITH LED SURFACE, LEDs ARE EASILY DAMAGED!

3



EMERGENCY

A



SEE BATTERY MANUFACTURER INSTRUCTIONS

EMERGENCY BATTERY
MAXIMUM MOUNTING HEIGHT: 17.75'