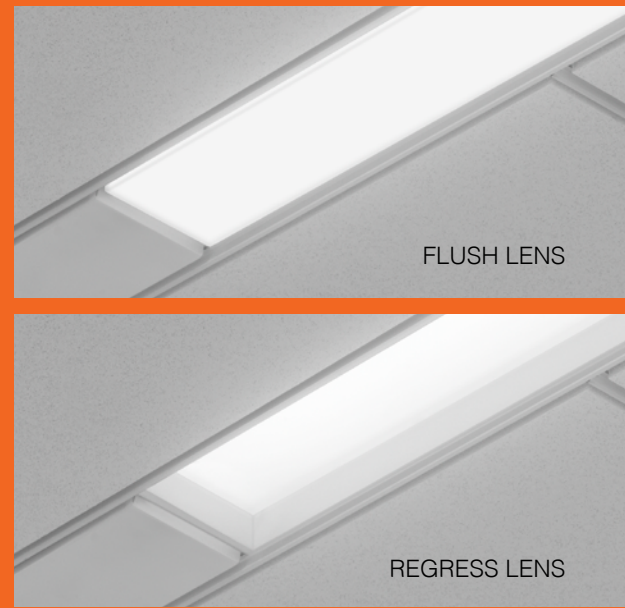




Seem® 4-LP



FEATURES

A companion luminaire to the popular Seem® family, Seem 4-LP is a low profile, recessed linear luminaire for shallow plenum grid ceiling applications. It seamlessly integrates with 4" on-center grid ceilings including Armstrong® 4" TechZone™ to provide a clean, unobtrusive aesthetic. Lens and length options allow for design flexibility in commercial spaces.

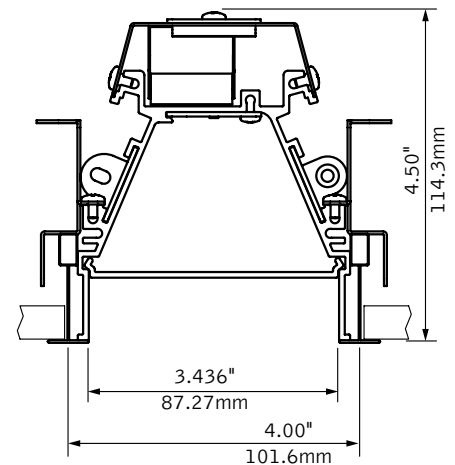
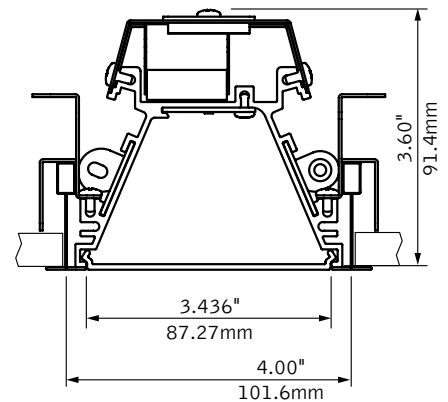
- Low profile housing for shallow plenum spaces
- Compatible with Armstrong® 4" TechZone™
- Flush or 1" regress lens option
- Individual units or continuous runs
- Lengths over 8' available in 6" increments
- Simplified 2-step joining process
- Cost effective

4' PERFORMANCE CHART

Shielding	Lumens per Foot	Delivered Lumens	Tested System Watts	LPW
Flush Lens	275LF	1100	10	103
	375LF	1500	14	109
	625LF	2500	24	111
	875LF	3500	34	106
	1000LF	4000	39	109

*Based on 3500k, 4' lengths. Regress Lens lumen multiplier = 0.90. Lumen output may vary +/- 5%. Actual wattage may vary +/- 5%

DIMENSIONAL DETAILS



*9/16 grid shown. 15/16 tee spacing is 4.375".