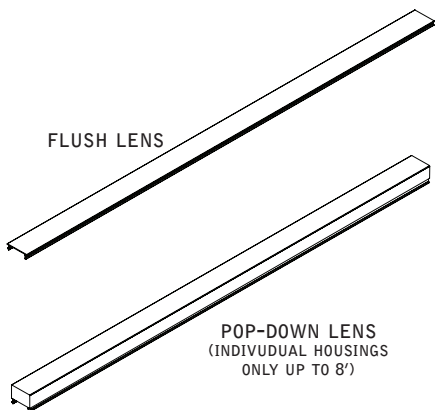
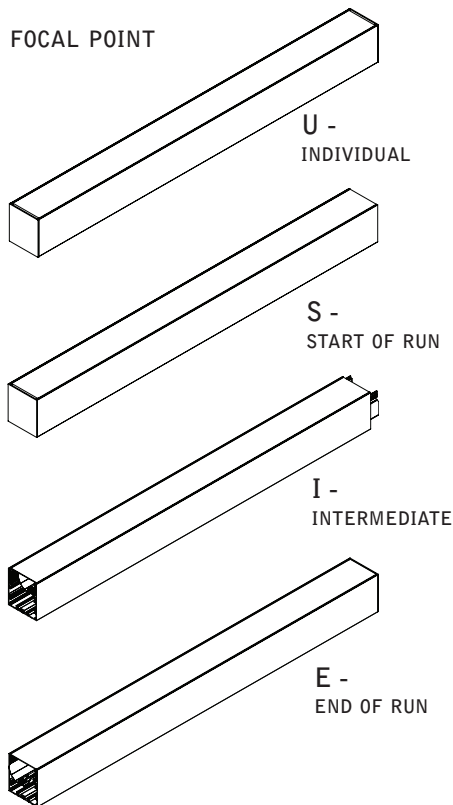


seem™ 4 led surface mount

FSM4LS-SM



! CONFIGURATIONS ARE RUN SPECIFIC, PLEASE CONSULT FACTORY DRAWINGS BEFORE BEGINNING INSTALLATION. !



KEY



POWER OFF



ATTENTION



POWER ON



SEE ADDITIONAL INSTRUCTIONS

! INDIVIDUAL INSTALLATIONS FOLLOW STEPS 1-3 & 7-10

PARTS LISTS

SHIPPED IN HARDWARE BAG

REFLECTOR (70008)
(6-32 X 5/16 PAN-HEAD MACHINE SCREW)

LENS TOOL (A09052-02)
(AFFIXED TO HOUSING. ONE PER RUN)

SHIPPED INSTALLED

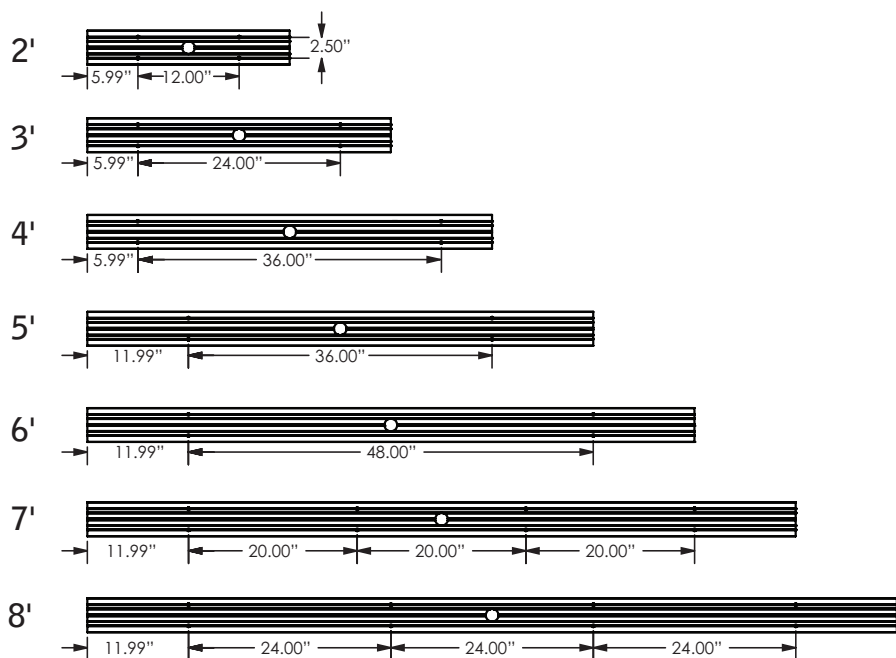
JOINER PIN (W5687)

LENS END PIECE (A08904)

JOINER BRACKET (18338)

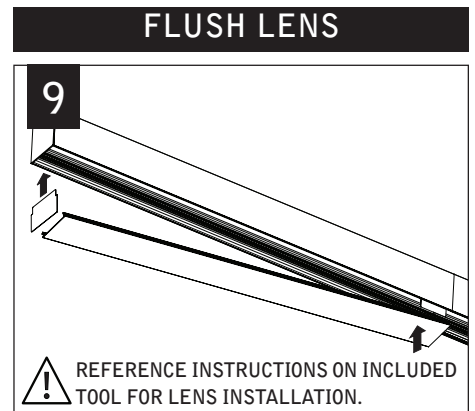
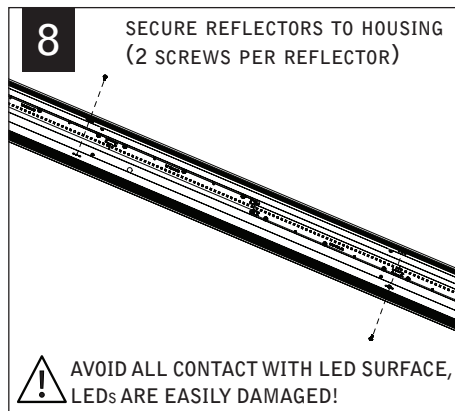
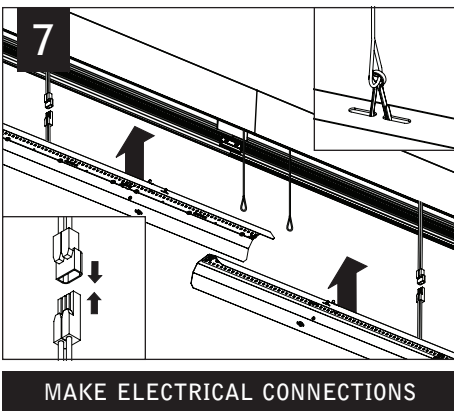
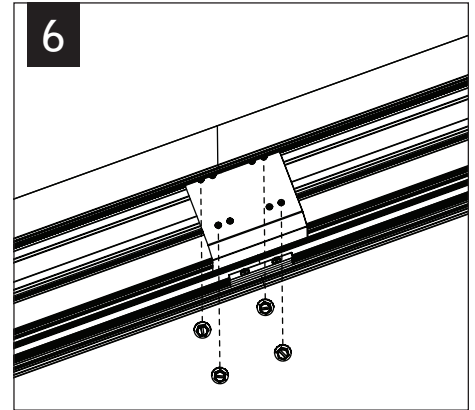
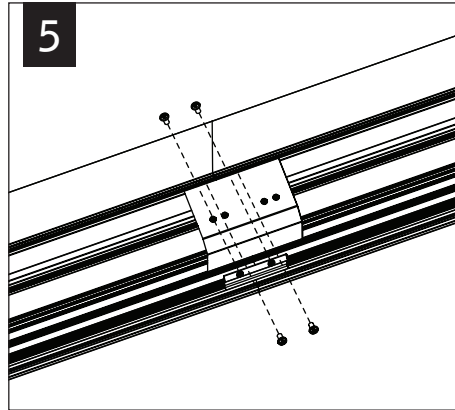
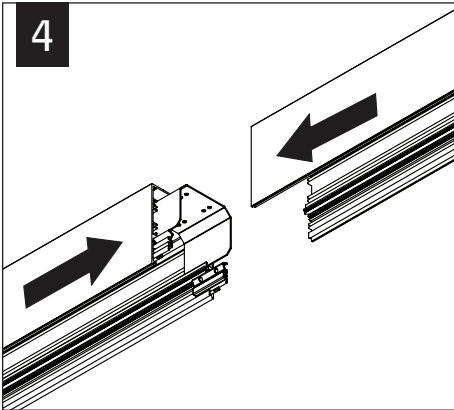
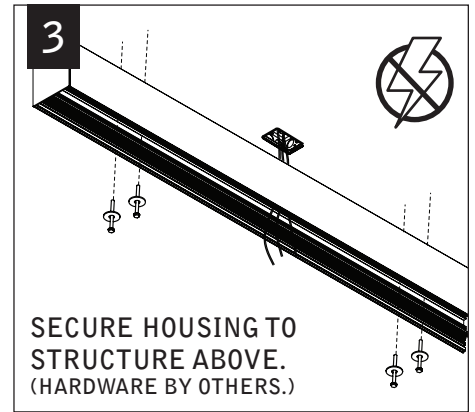
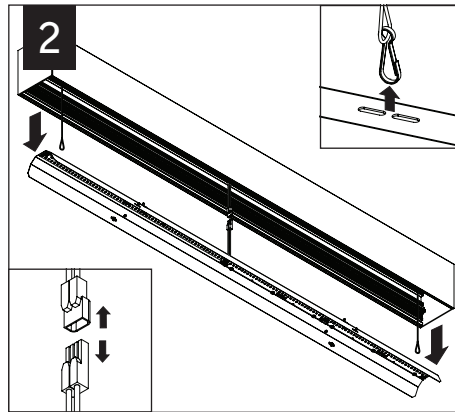
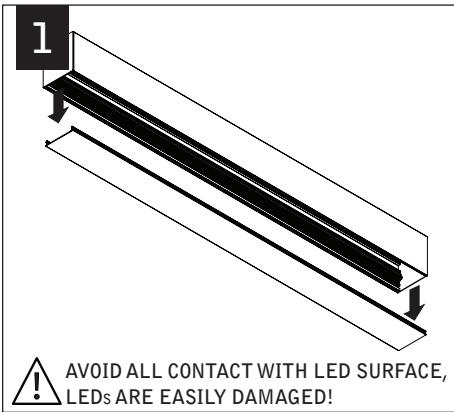
JOINER BRACKET (11849)

MOUNTING



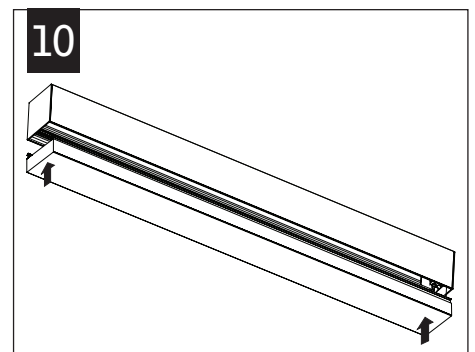
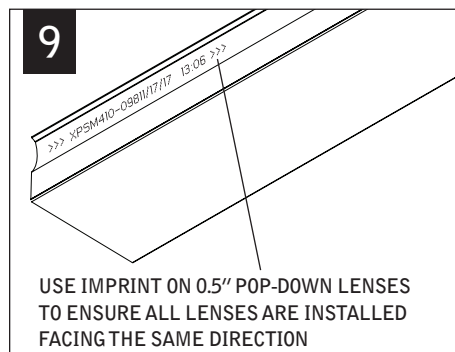
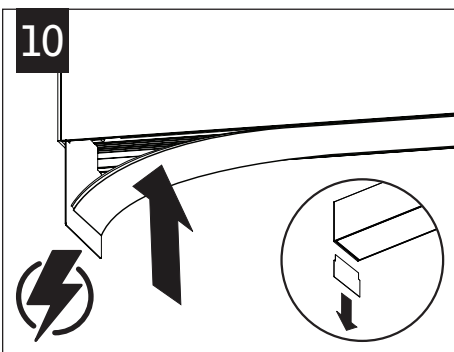
**FEED LOCATION IS ALWAYS CENTERED IN HOUSING.
USE SINGLE DEVICE COVER OR SINGLE GANG HANDY BOX AND MOUNTING HARDWARE (BY OTHERS)**

Luminaires must be installed by a qualified electrician (check with local and national codes for proper installation).
To prevent electrical shock, disconnect electrical supply before installation or servicing.



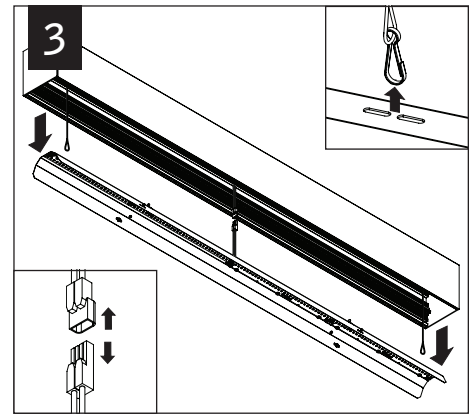
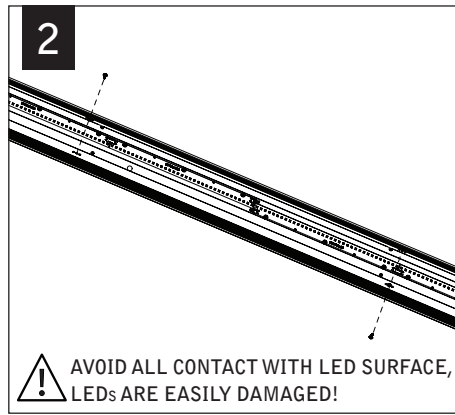
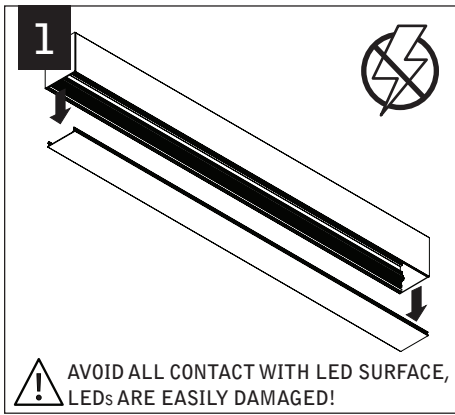
FLUSH LENS

POP-DOWN LENS



Luminaires must be installed by a qualified electrician (check with local and national codes for proper installation).
To prevent electrical shock, disconnect electrical supply before installation or servicing.

DRIVER SERVICE



EMERGENCY



SEE BATTERY MANUFACTURER
INSTRUCTIONS

EMERGENCY MAXIMUM MOUNTING HEIGHT:
19.00'