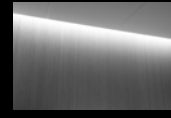
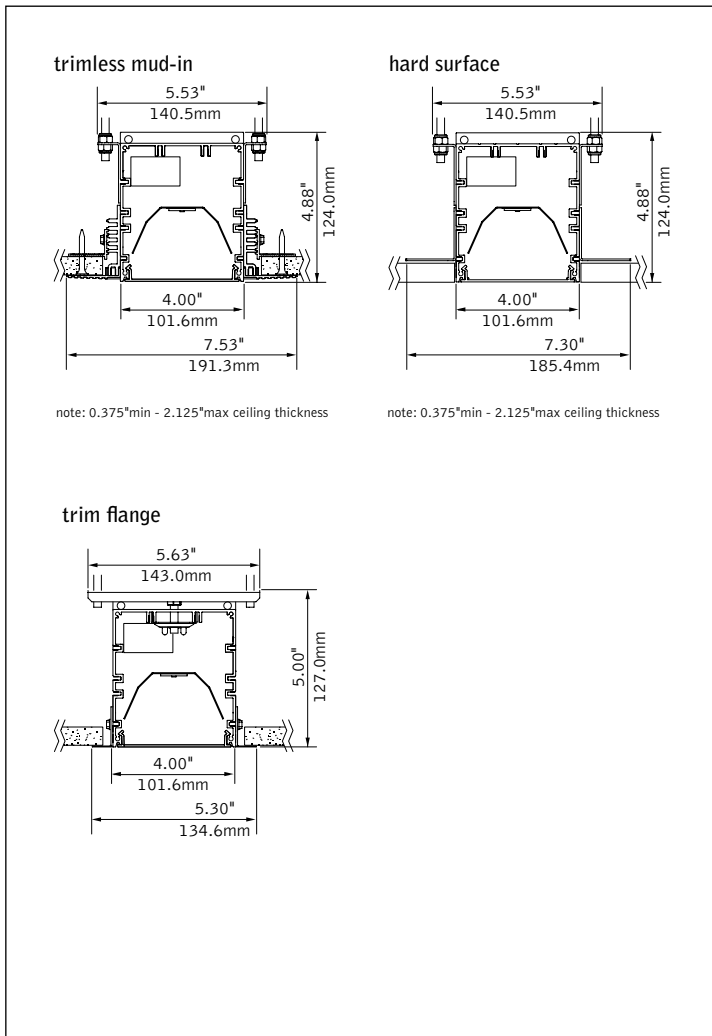


end detail



perimeter companion

DIMENSIONAL DATA



FEATURES

Narrow extruded aluminum 4" aperture recessed slot LED suitable for wet location.

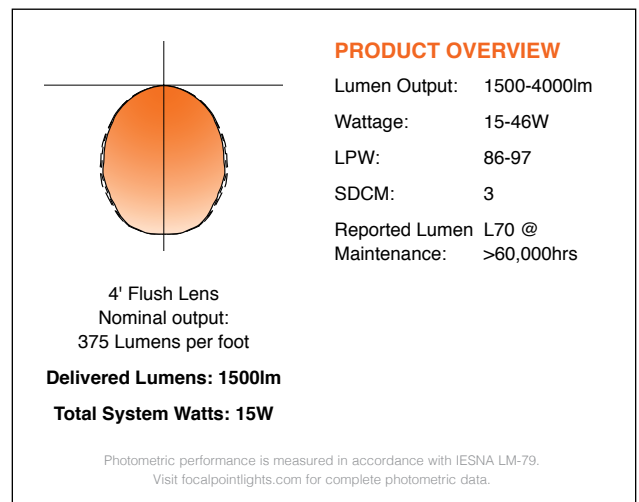
Integrates with ceiling for a clean, unobtrusive aesthetic.

Individual units in 1' increments up to 8'.

Frosted acrylic lens provides uninterrupted illumination, without pixels or shadows.

LED position and lens material optimized to provide the perfect blend of high performance and visual comfort.

PERFORMANCE



fixture:

project:

SPECIFICATIONS

LED System

Proprietary linear LED module incorporates premium LEDs on a robust platform to achieve excellent thermal management. LEDs are placed to promote a uniform appearance. Available in 3000K, 3500K or 4000K with CRI>80, 3SDCM. LED modules and drivers are replaceable from below.

Construction

One piece extruded aluminum housing. 20 Ga. steel end caps. Housing for new construction applications. XFW acceptable for use with wood, consult factory for Type IC availability. 2' unit weight: 18 lbs., 3' unit weight: 24 lbs., 4' unit weight: 30 lbs., 5' unit weight: 36 lbs.

Optic

Reflectors fabricated of 22 Ga. steel finished in High Reflectance White powder coat. Extruded acrylic lens .085" thick with satin finish, up to 8' continuous.

Electrical

Luminaires are pre-wired with factory installed branch circuit wiring and over-molded quick connects. Standard 120-277V constant current driver includes 0-10V analog dimming. Dimming range 100% to 10%. Power factor > .9.

Emergency Battery

Bodine BSL310-CAN. Emergency output - 10 watts for 90 minutes.

Labels

UL and cUL wet listed for recessed ceiling applications in indoor and outdoor locations. Lutron Drivers not recommended for outdoor environments below 0°C.

Finish

Polyester powder coat applied over a 5-stage pre-treatment.

Lumen Maintenance

Calculated: L70 at 118,000 hours Reported: L70 at >60,000 hours
Derived from EPA TM-21 calculator based on 10,000 hours of test data.

Warranty

LED system rated for operation in ambient environments up to 25°C. 5 year limited warranty.

4' PERFORMANCE CHART

Shielding	Lumens per Foot	Delivered Lumens	Tested System Watts	LWP
Flush Lens	375LF	1500	15	97
	625LF	2500	26	95
	875LF	3500	39	89
	1000LF	4000	46	86

*Based on 3500k, 4' lengths. *Lumen output may vary +/- 5%. Actual wattage may vary +/- 5%

ORDERING

Luminaire Series	FSM4LWL
Seem 4 LED Wet Location	FSM4LWL
Shielding	FL
Flush Satin Lens <small>(Ceiling applications only)</small>	FL
Lumen Output	
275 Lumens per foot <small>(Not available with L3D driver)</small>	275LF
375 Lumens per foot	375LF
625 Lumens per foot	625LF
875 Lumens per foot	875LF
1000 Lumens per foot <small>(Not available with L3D driver)</small>	1000LF
Color Temperature	
3000K	30K
3500K	35K
4000K	40K
Circuit	1C
Single Circuit	1C
Voltage	
120 Volt	120
277 Volt	277
UNV Volt	UNV
<small>(Cannot be specified with EM option)</small>	
Driver	
<small>(See driver reference for driver quantities)</small>	
0-10V - 10% Dimming	LD1
Lutron A-Series	L3D
1% EcoSystem Digital <small>(Not recommended for outdoor environments below 0°C. Consult factory for 3-wire control)</small>	
0-10V - 1% Dimming <small>(Consult factory)</small>	
Ceiling Configuration	
Trim Flange Drywall <small>(3' minimum with Lutron Drivers)</small>	TF
Trim Flange Wood <small>(3' minimum with Lutron Drivers)</small>	TFW
Mud-in Trimless, pre-set for 1/2" Drywall	XF1
Mud-in Trimless, pre-set for 5/8" Drywall	XF2
Mud-in Trimless, set thickness in field <small>(Mounting equipment assembled in field)</small>	XFF
Non-Drywall Hard Surface	XFN
Hard Surface, Wood	XFW
Factory Options	
Chicago Plenum	CP
Emergency Circuit*	EC
Emergency Battery Pack* <small>(4' lengths or longer)</small>	EM
6' New York City Flex Whip	FNY
6' Flex Whip	FW
Finish	WH
Matte White Housing	WH
Luminaire Length <small>(Lengths are nominal)</small>	
2'	2'
<small>(not available with combination of TF or TFW & L3D options)</small>	
3'	3'
4'	4'
5'	5'
6'	6'
7'	7'
8'	8'
<small>(Smaller increments available. Consult factory for details.)</small>	

Seem® 4

LED - FLUSH LENS

FSM4L-FL-375LF-35K-1C-UNV-LD1-G1-CP-WH-4'

Filename: FSM4LFL375LF35K.IES

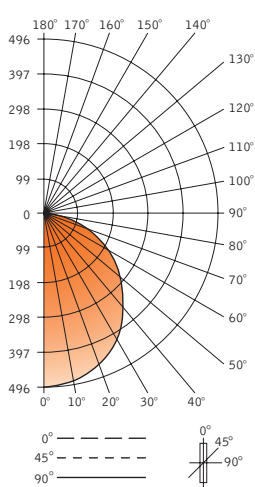
Test #: 11499493.01

Lumens: 1423lm

System Watts: 15W

LPW: 95

CANDLEPOWER DISTRIBUTION



Vertical Angle	Horizontal Angle				
	0°	22.5°	45°	67.5°	90°
0°	496	496	496	496	496
5°	493	496	493	493	494
15°	475	479	475	476	477
25°	439	443	439	440	440
35°	386	390	387	387	388
45°	322	325	322	323	324
55°	253	255	253	254	254
65°	176	179	178	179	180
75°	100	102	102	104	104
85°	31	32	31	31	31
90°	0	2	2	2	2
95°	0	0	0	0	0
105°	0	0	0	0	0
115°	0	0	0	0	0
125°	0	0	0	0	0
135°	0	0	0	0	0
145°	0	0	0	0	0
155°	0	0	0	0	0
165°	0	0	0	0	0
175°	0	0	0	0	0
180°	0	0	0	0	0

LUMEN SUMMARY

Zone	Lumens	% Fixture
0-30°	384	27.0
0-40°	627	44.1
0-60°	1103	77.5
0-90°	1423	100.00
Total Luminaire 0-180°	1423	100.0

LUMINANCE DATA (cd/M²)

Vertical Angle	Horizontal		
	0°	45°	90°
45°	3757	3760	3774
55°	3634	3642	3657
65°	3441	3473	3506
75°	3193	3261	3313
85°	2923	2967	2970

Go to www.focalpointlights.com for additional photometric data.