

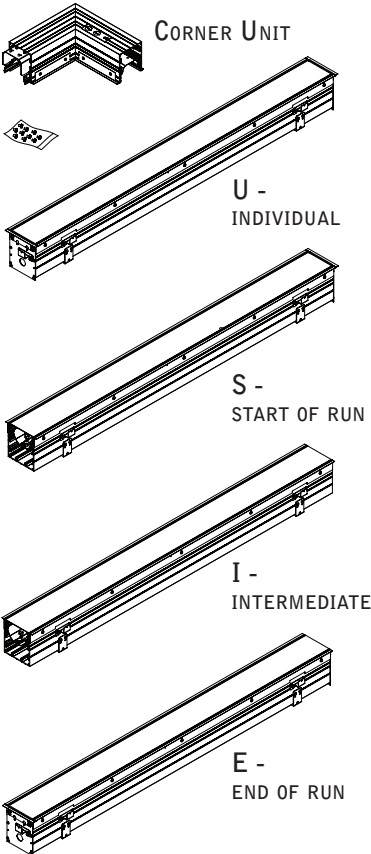
# seem 4™ led grid ceiling

FSM4L



**! CONFIGURATIONS ARE RUN SPECIFIC, PLEASE CONSULT FACTORY DRAWINGS BEFORE BEGINNING INSTALLATION. !**

## FOCAL POINT

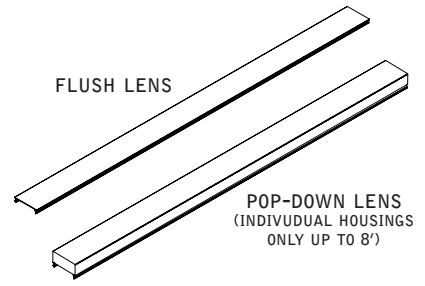


## PARTS LISTS

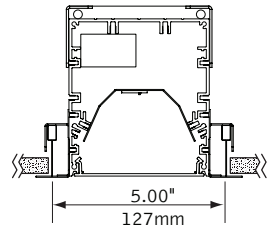
INCLUDED HARDWARE	
REFLECTOR SCREW (70008)	LENS TOOL (A09052-02) (AFFIXED TO HOUSING, ONE PER RUN)
PARTS SHIPPED INSTALLED	
TIE-WIRE BRACKET SCREW (72010) (8-18 x 1/4 SELF TAPPING SCREW)	JOINER BRACKET (11920)
TIE-WIRE BRACKET (12547)	LENS END PIECE (A07670)
JOINER BRACKET (REGRESS LENS) (A20081-01)	JOINER BRACKET (REGRESS LENS) (11849)
ALIGNMENT BRACKET (REGRESS LENS) (A22092-01)	ALIGNMENT PIN (REGRESS LENS) (22372)
ALIGNMENT BRACKET SCREW (REGRESS LENS) (72029)	

## KEY

- POWER OFF
- POWER ON
- ATTENTION

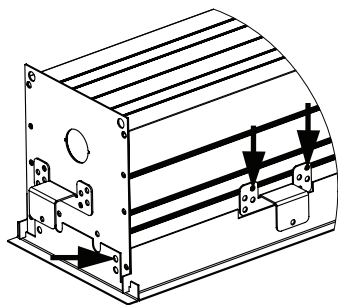


**! GRID SPACING FOR ALL GRID TYPES**

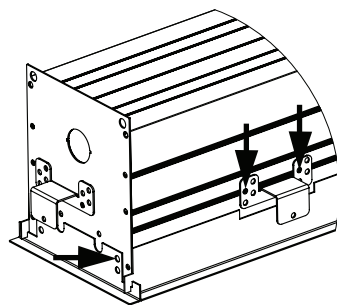


## RAIL & CLIP GUIDE

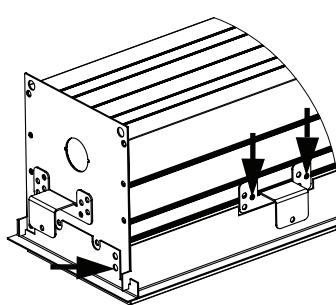
**! CHECK RAIL & CLIP POSITIONS BEFORE INSTALLATION. ARROWS INDICATE SCREW POSITIONS. TO CHANGE IN THE FIELD REMOVE AND REINSTALL ACCORDING TO DIAGRAMS BELOW.**



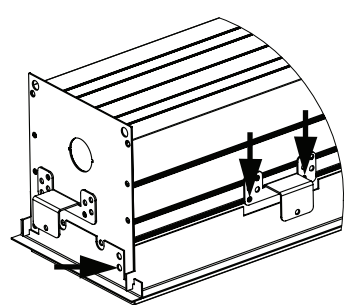
G1: STD 15/16" LAY-IN TILE  
G2: STD 9/16" LAY-IN TILE



G4: TALL 15/16" LAY-IN TILE  
G5: TALL 9/16" LAY-IN TILE



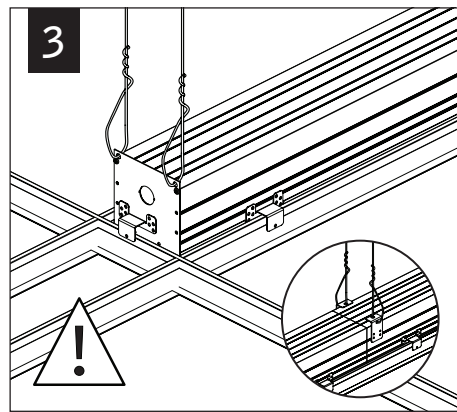
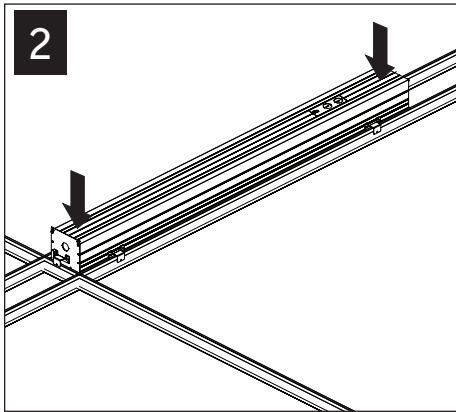
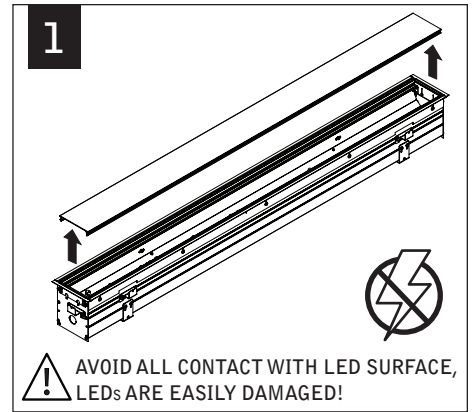
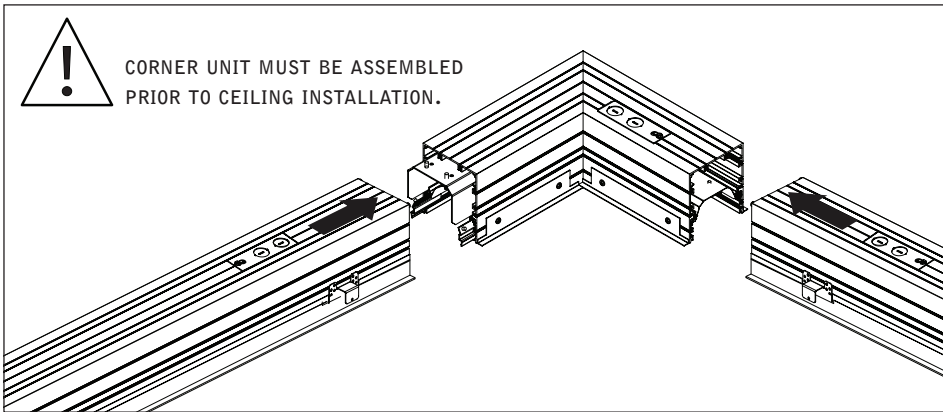
G3: 9/16" SLOT-TEE TEGULAR TILE  
T1: STD 15/16" TEGULAR TILE  
T2: STD 9/16" TEGULAR TILE  
T6: 9/16" NODE TEGULAR TILE



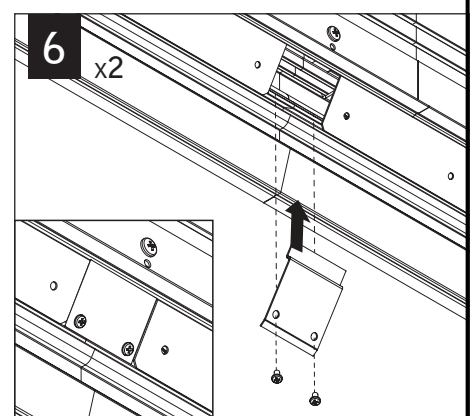
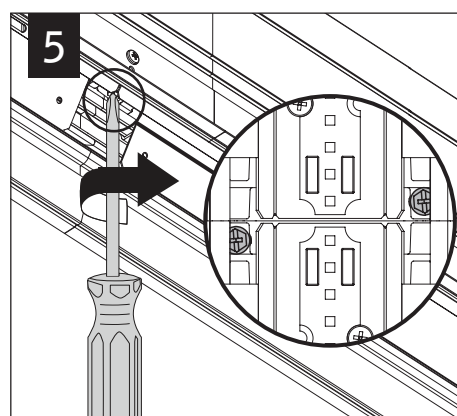
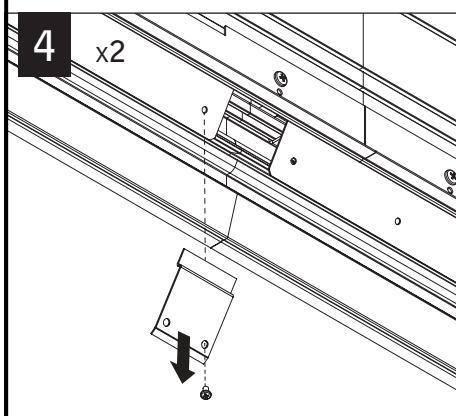
T4: TALL 15/16" TEGULAR TILE  
T5: TALL 9/16" TEGULAR TILE

**! STD = 1-1/2" TEE HEIGHT, TALL = 1-11/16" TEE HEIGHT**

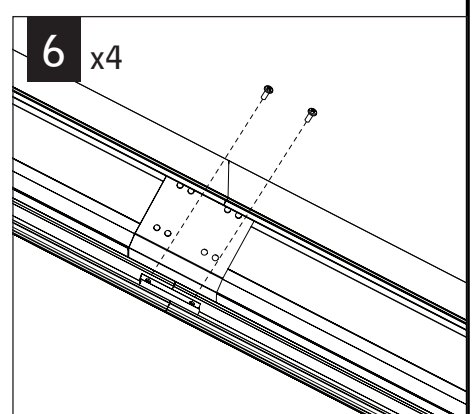
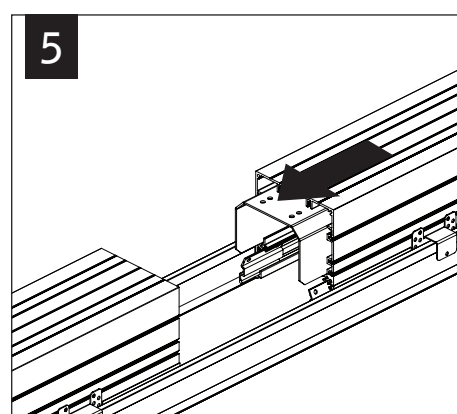
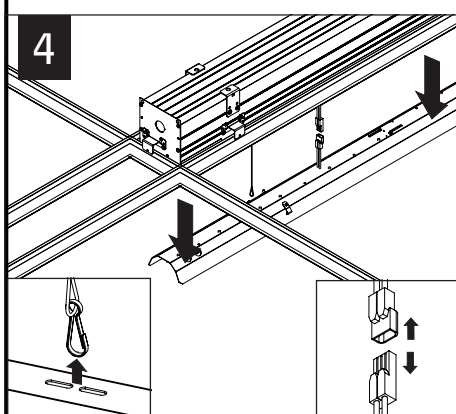
Luminaires must be installed by a qualified electrician (check with local and national codes for proper installation). To prevent electrical shock, disconnect electrical supply before installation or servicing.



**REGRESS LENS**

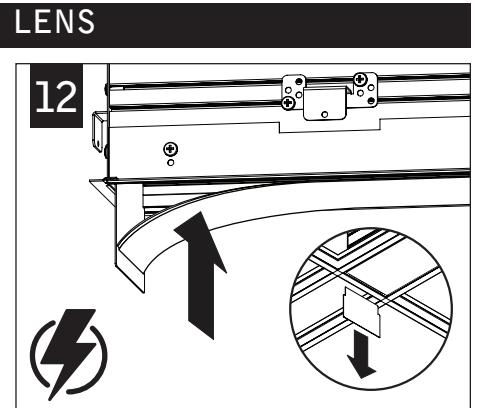
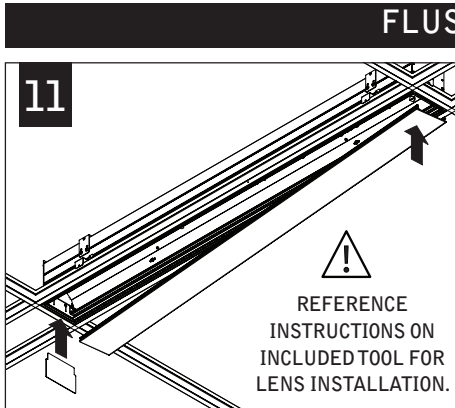
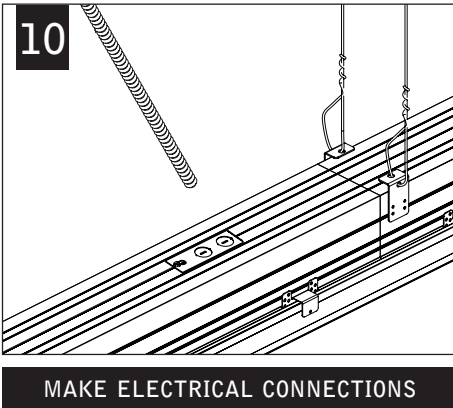
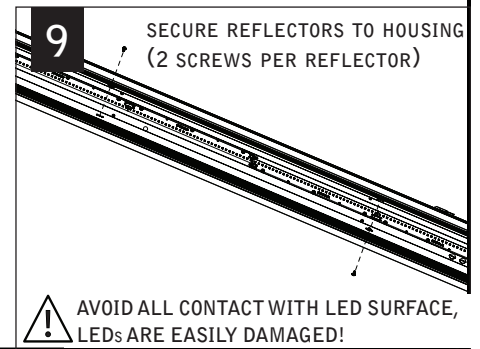
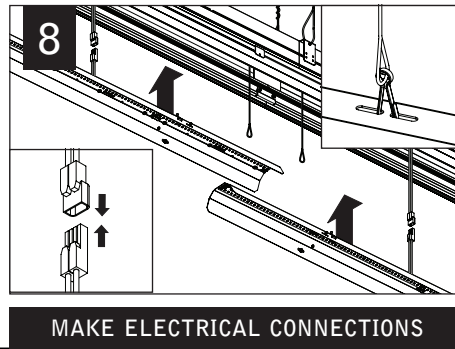
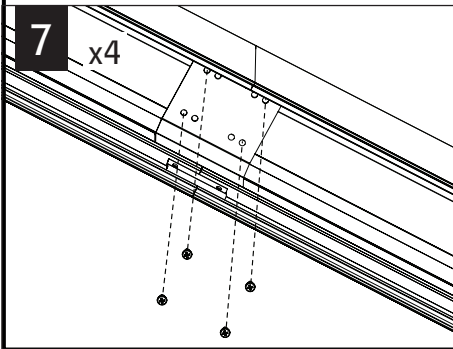


**FLUSH/POP-DOWN LENS**

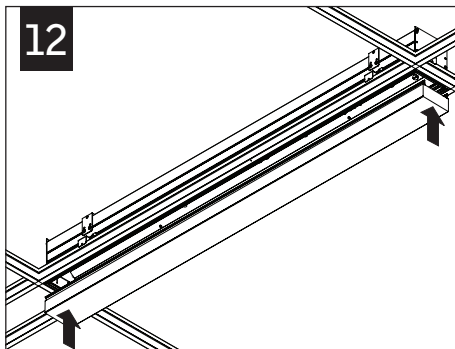
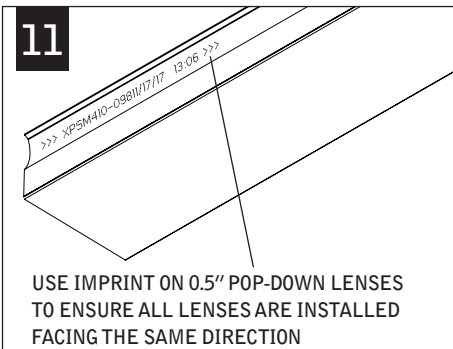


Luminaires must be installed by a qualified electrician (check with local and national codes for proper installation).  
To prevent electrical shock, disconnect electrical supply before installation or servicing.

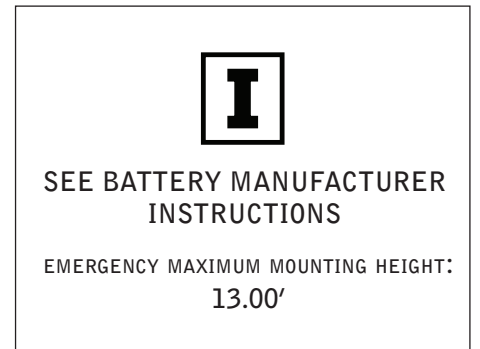
## FLUSH/POP-DOWN LENS



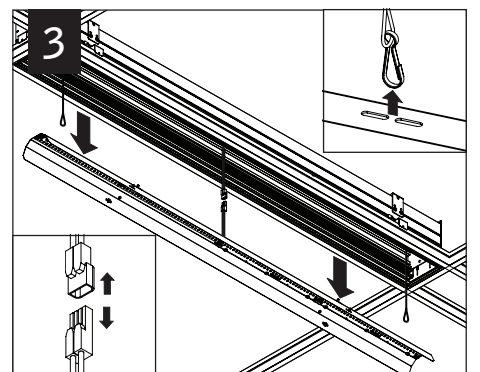
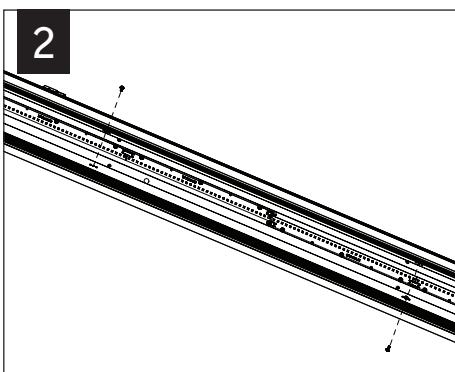
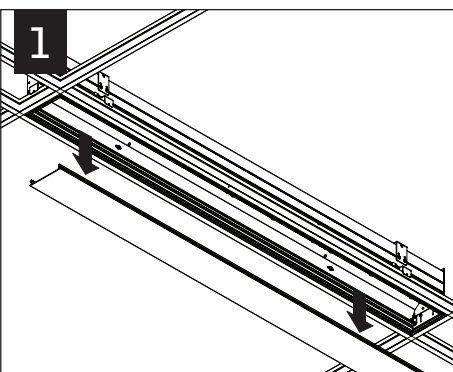
## POP-DOWN LENS



## EMERGENCY



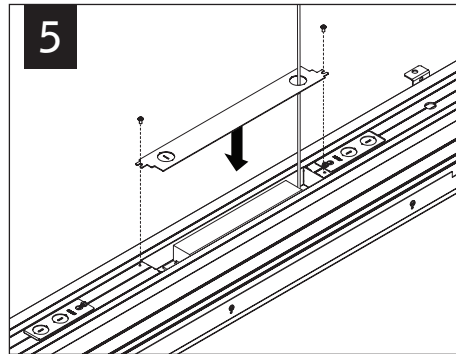
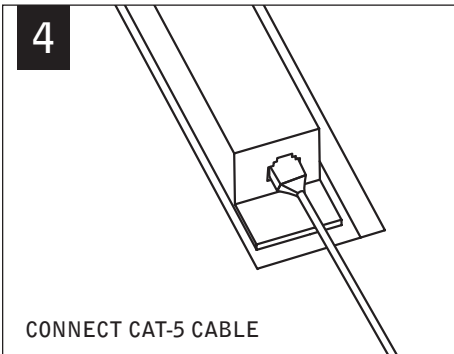
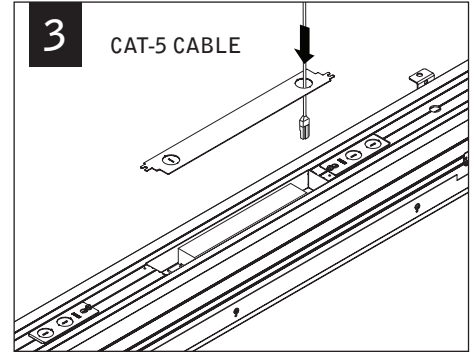
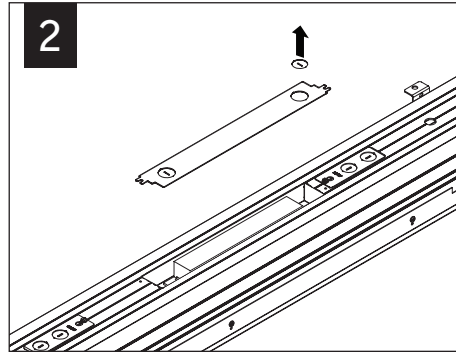
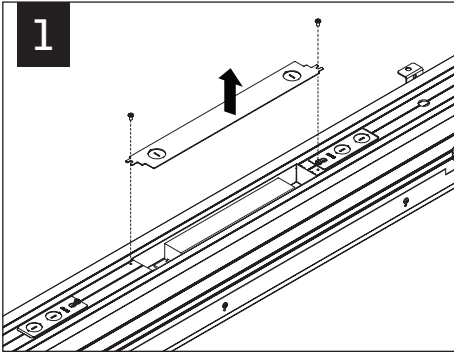
## DRIVER SERVICE



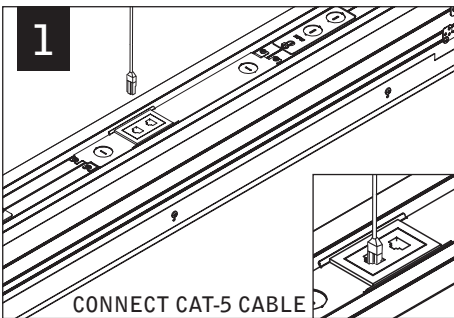
Luminaires must be installed by a qualified electrician (check with local and national codes for proper installation).  
To prevent electrical shock, disconnect electrical supply before installation or servicing.

# CONNECTED SOLUTIONS

## ACUITY nLIGHT



## WATTSTOPPER



Contractor is responsible for adequately reinforcing walls and/or ceilings to support luminaire weight. Focal Point, LLC accepts no responsibility for inadequately reinforced walls and/or ceilings. The information contained in this drawing is the sole property of Focal Point, LLC. Any reproduction in part or whole without the written permission of Focal Point, LLC is prohibited.