

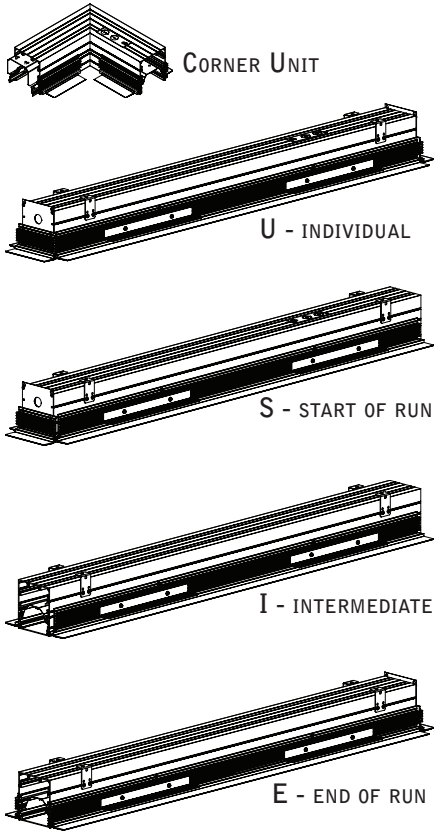
seem 4™ LED mud-in drywall

FSM4L -XF



! LUMINAIRE MUST BE INSTALLED PRIOR TO DRYWALL. !
! CONFIGURATIONS ARE RUN SPECIFIC, PLEASE CONSULT FACTORY DRAWINGS BEFORE BEGINNING INSTALLATION. !

FOCAL POINT



PARTS LISTS

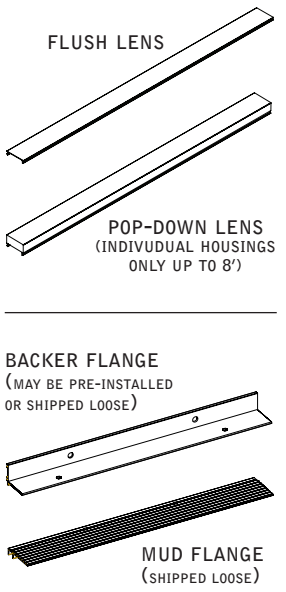
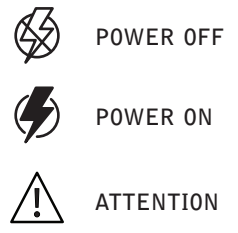
INCLUDED HARDWARE

REFLECTOR (70008) (6-32 X 5/16 PAN-HEAD MACHINE SCREW)	MUD FLANGE (70005) (8-32 X 5/16" FLAT UNDERCUT HEAD SCREW)	BACKER FLANGE (72001) (8-32X 3/8" WASHER HEX HEAD SCREW)
LENS TOOL (A09052-02) (AFFIXED TO HOUSING, ONE PER RUN)	HOUSING SPACER (11699)	

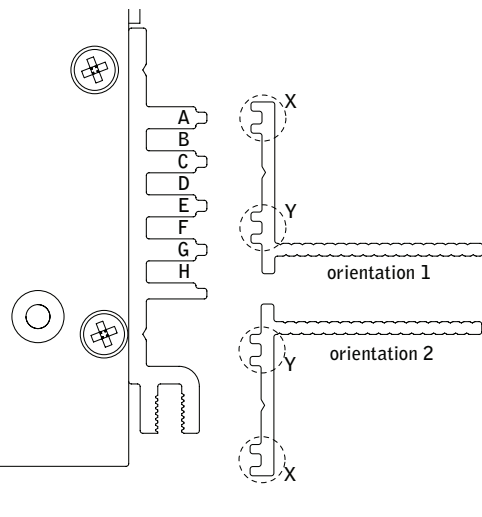
SHIPPED INSTALLED

TIE-WIRE BRACKET SCREW (72010) (8-18 x 1/4 SELF TAPPING SCREW)	JOINER BRACKET (11920)	JOINER BRACKET (11849)
TIE WIRE BRACKET (12547)	LENS END PIECE (A07670)	ALIGNMENT PIN (REGRESS LENS) (22372)
JOINER BRACKET (REGRESS LENS) (A32110-01)	ALIGNMENT BRACKET (REGRESS LENS) (A22092-01)	ALIGNMENT BRACKET SCREW (REGRESS LENS) (72029)
(72074)	(A32074-01)	

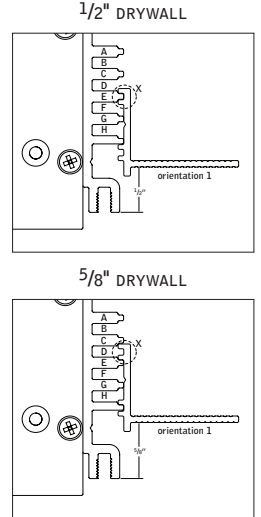
KEY



BACKER FLANGE PLACEMENT GUIDE

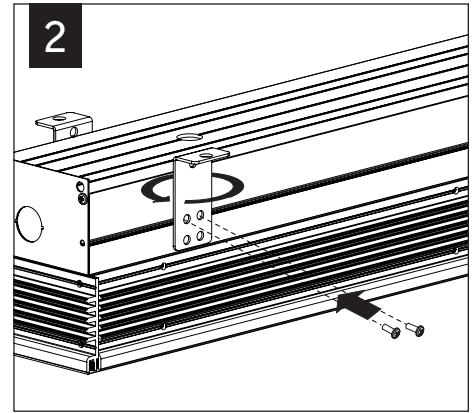
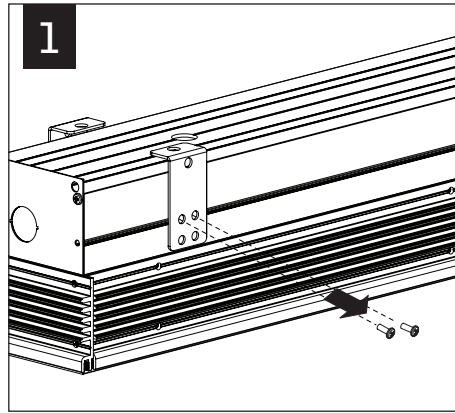
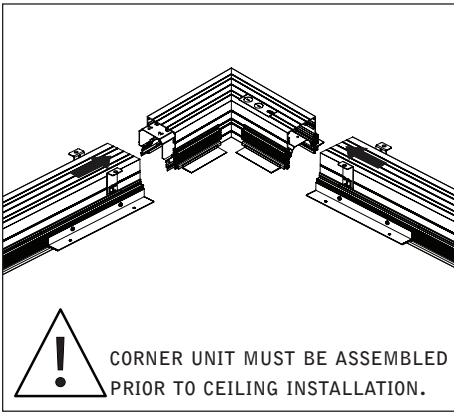


DRYWALL THICKNESS	ORIENTATION	GUIDE POINT	POSITION
3/8"	1	X	F
1/2"	1	X	E
5/8"	1	X	D
3/4"	1	X	C
7/8"	1	X	B
1"	1	X	A
1 1/8"	1	Y	G
1 1/4"	2	Y	F
1 3/8"	2	Y	E
1 1/2"	2	Y	D
1 5/8"	2	Y	C
1 3/4"	2	Y	B
1 7/8"	2	Y	A
2"	2	X	E
2 1/8"	2	X	D

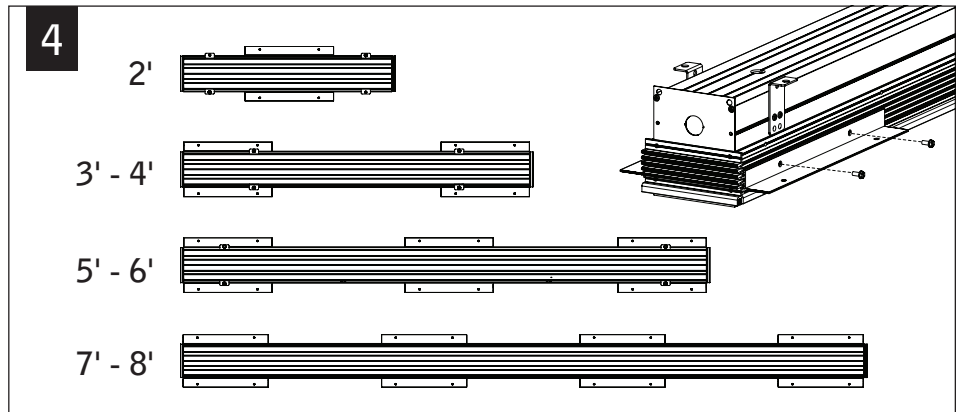


Luminaires must be installed by a qualified electrician (check with local and national codes for proper installation).
 To prevent electrical shock, disconnect electrical supply before installation or servicing.

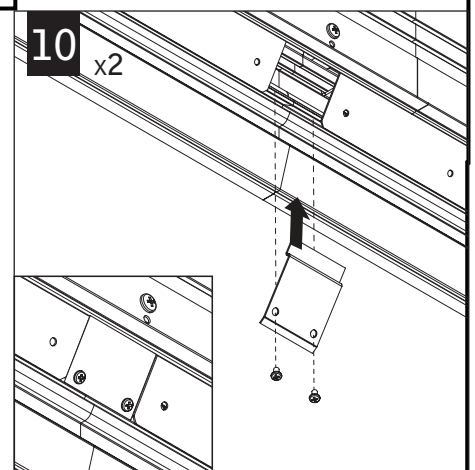
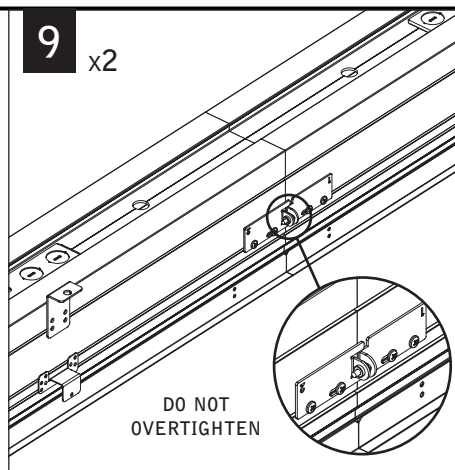
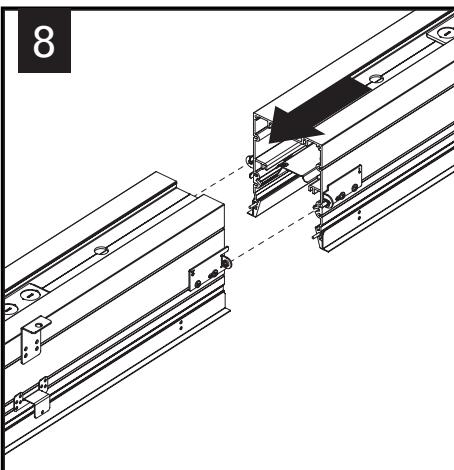
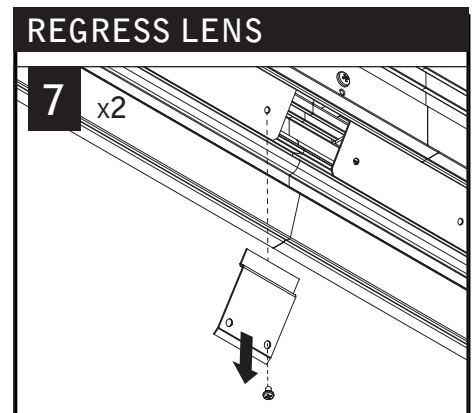
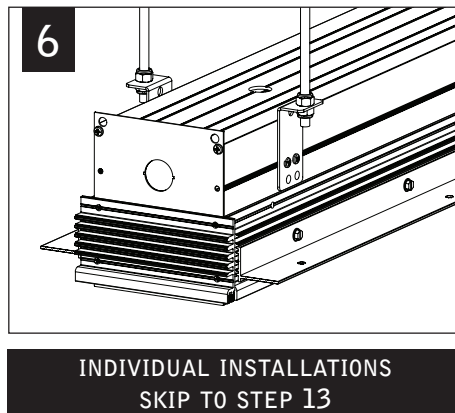
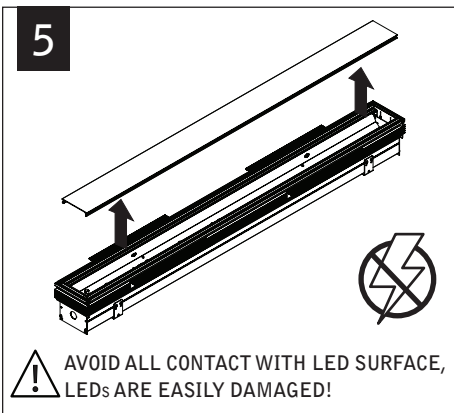
CEILING INSTALLATION (SEE PAGE 4 FOR WALL INSTALLATION)



3 USING THE BACKER FLANGE PLACEMENT GUIDE FROM PAGE 1 DETERMINE THE PROPER PLACEMENT OF THE BACKER FLANGE FOR YOUR DRYWALL THICKNESS.

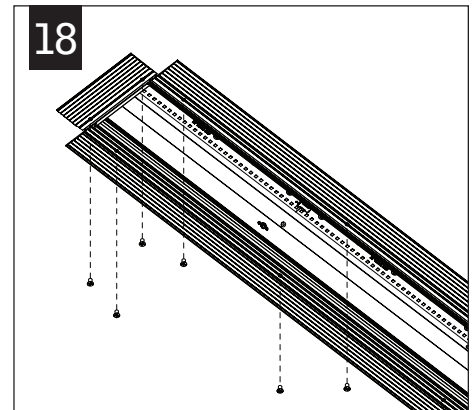
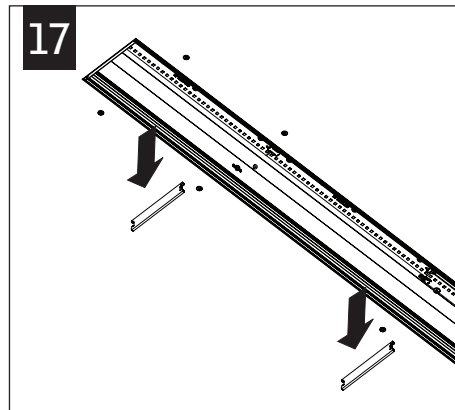
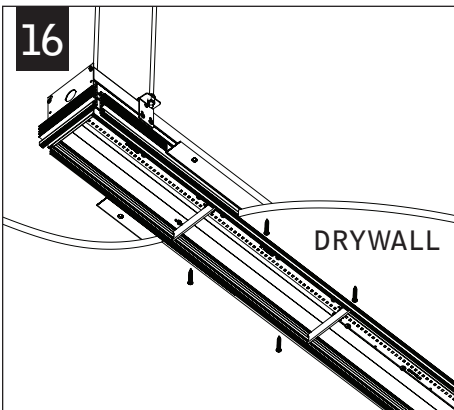
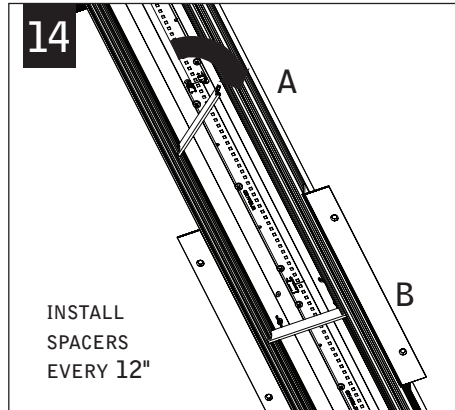
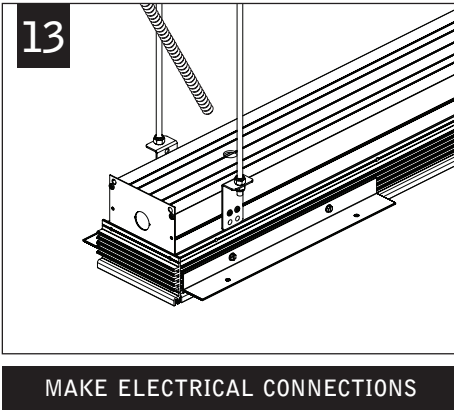
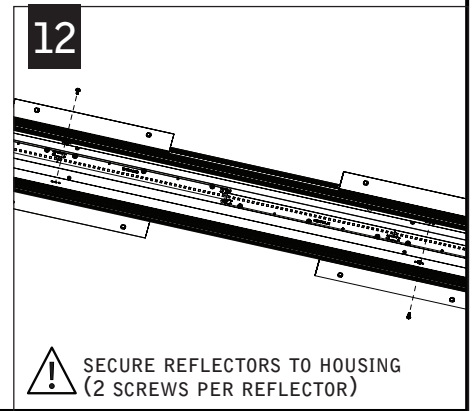
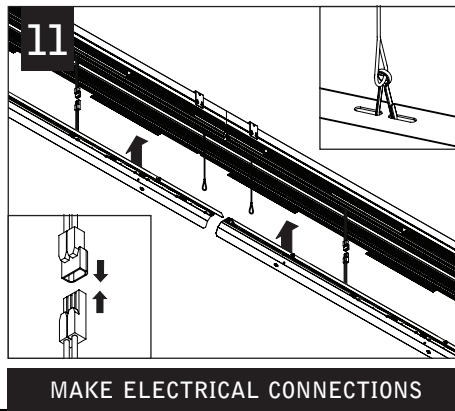
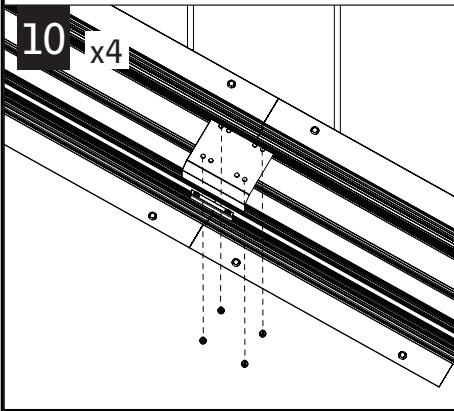
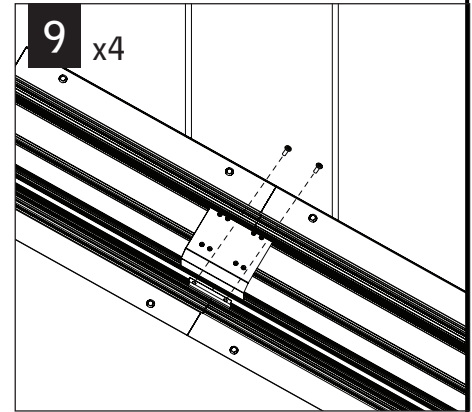
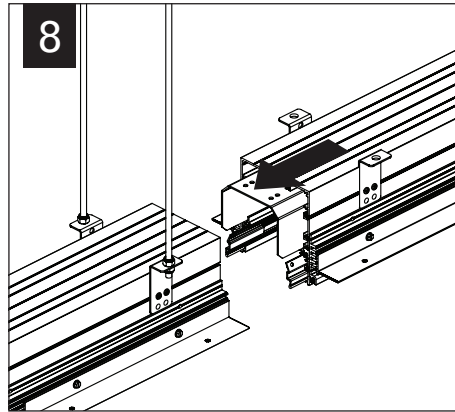
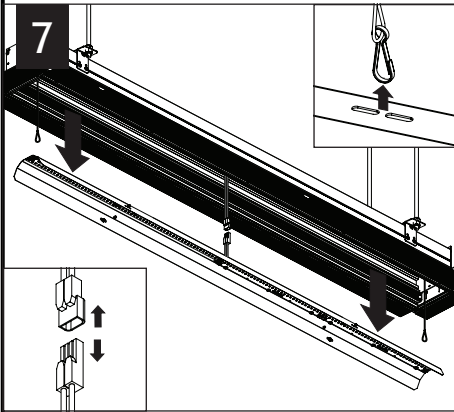


IF BACKER FLANGES WERE PRE-INSTALLED SKIP TO STEP 5

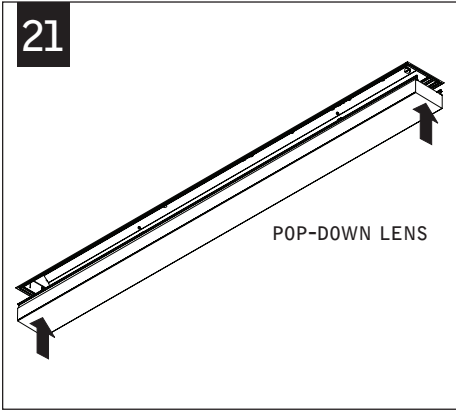
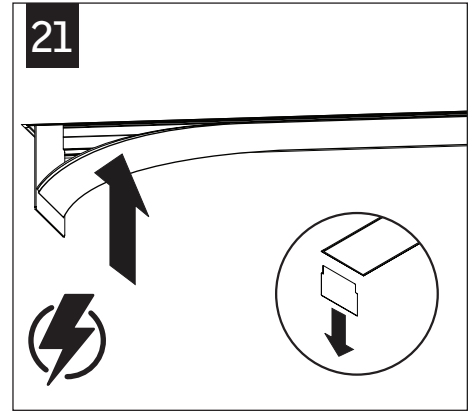
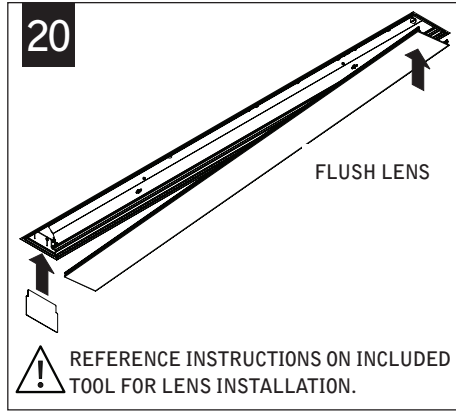
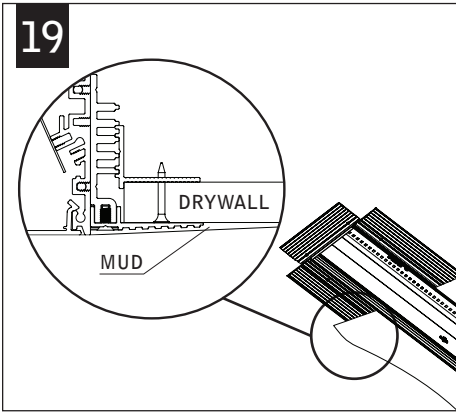


Luminaires must be installed by a qualified electrician (check with local and national codes for proper installation). To prevent electrical shock, disconnect electrical supply before installation or servicing.

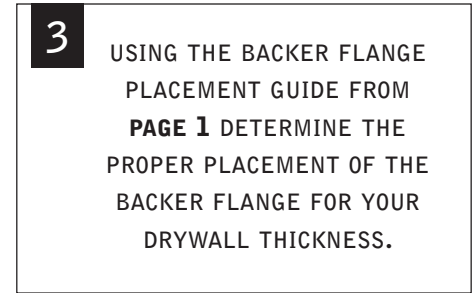
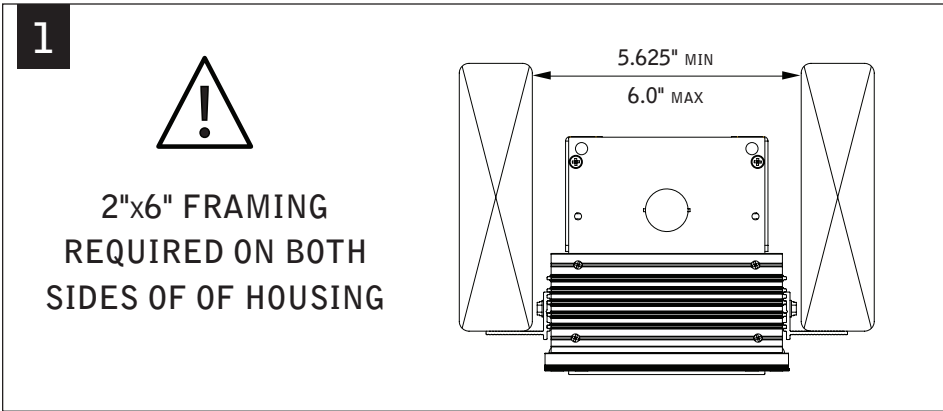
FLUSH LENS



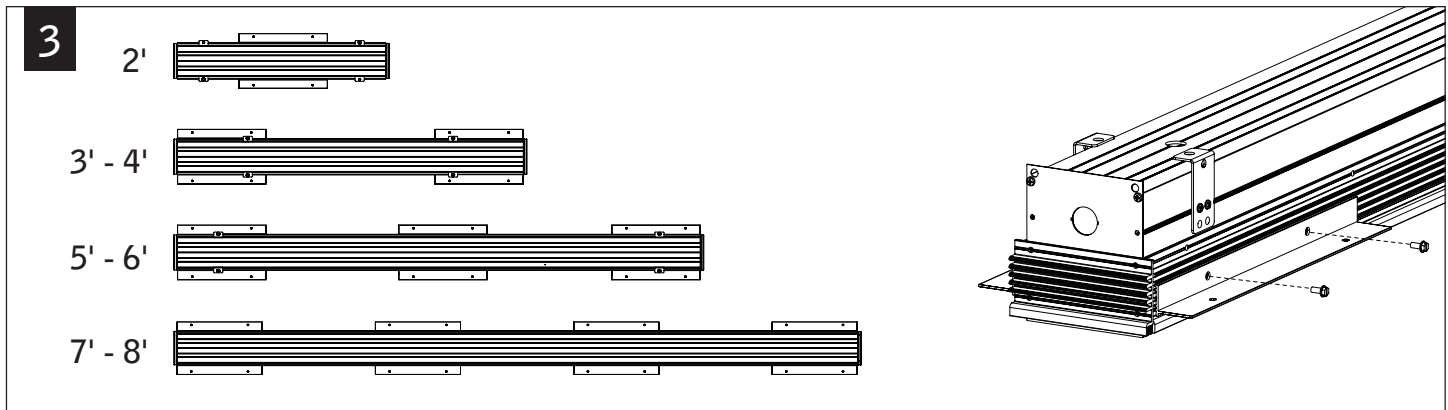
Luminaires must be installed by a qualified electrician (check with local and national codes for proper installation).
To prevent electrical shock, disconnect electrical supply before installation or servicing.



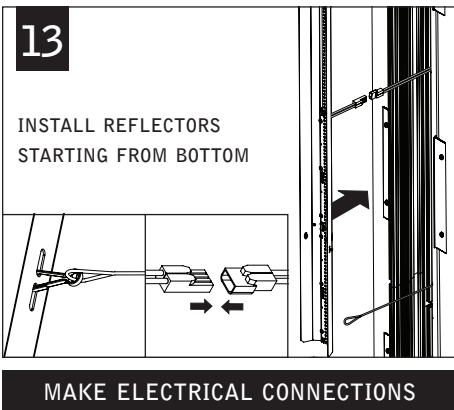
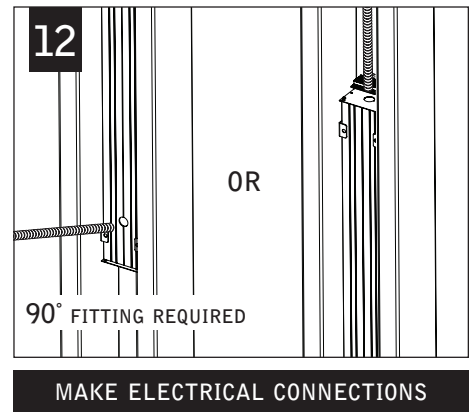
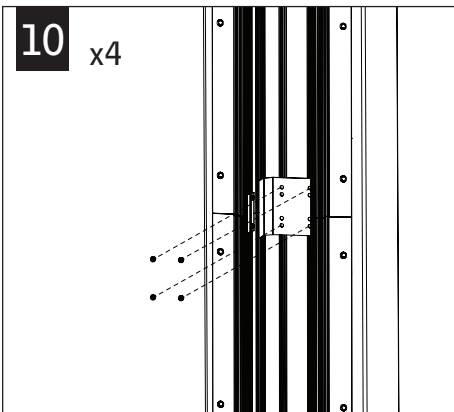
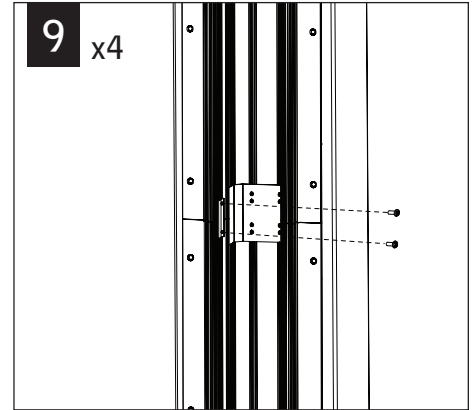
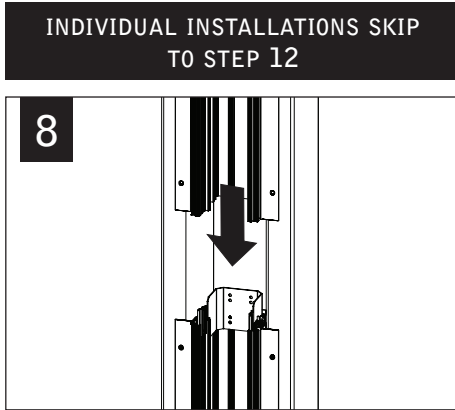
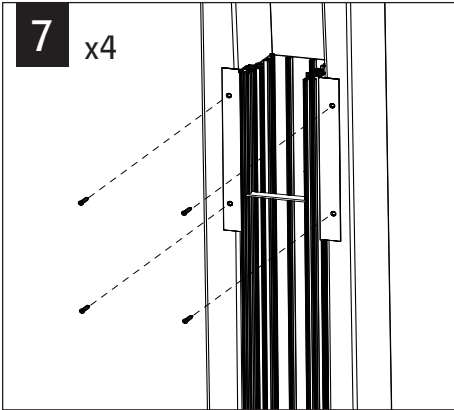
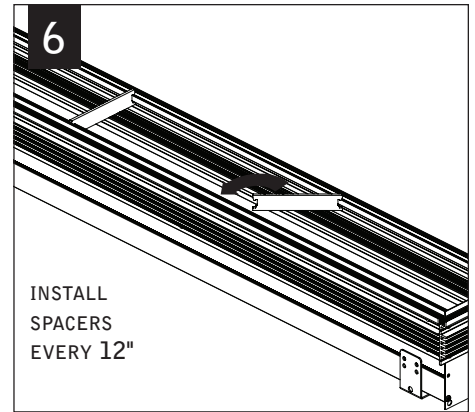
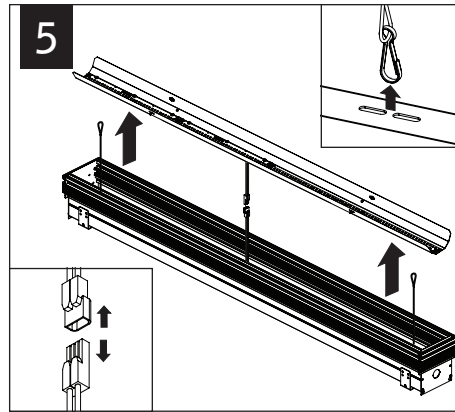
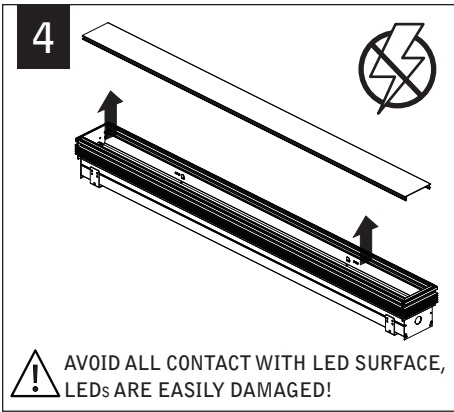
WALL INSTALLATION



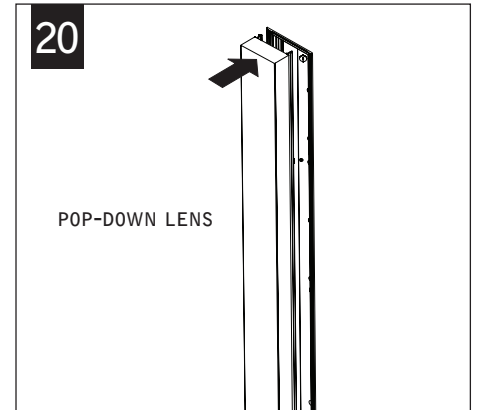
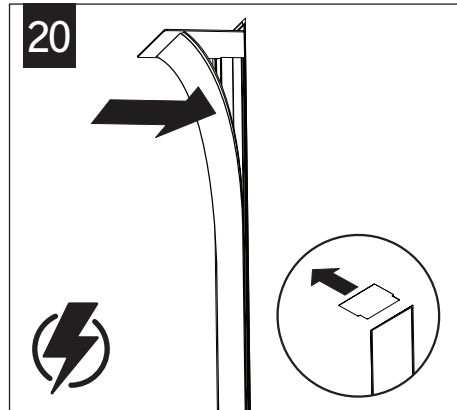
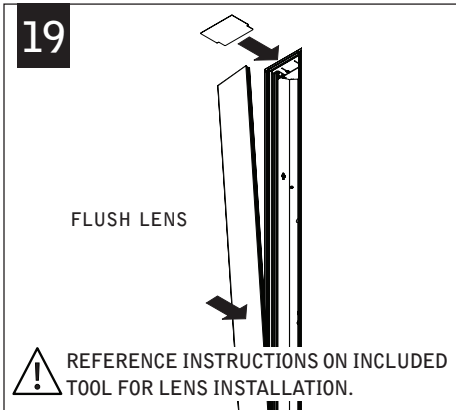
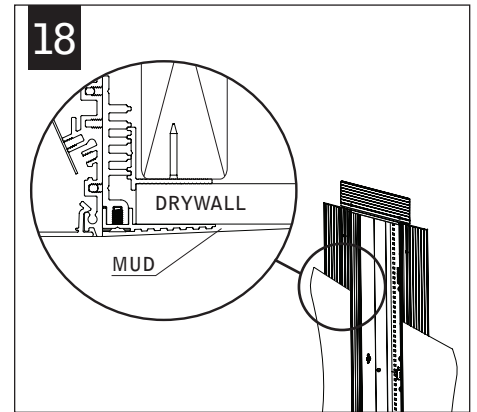
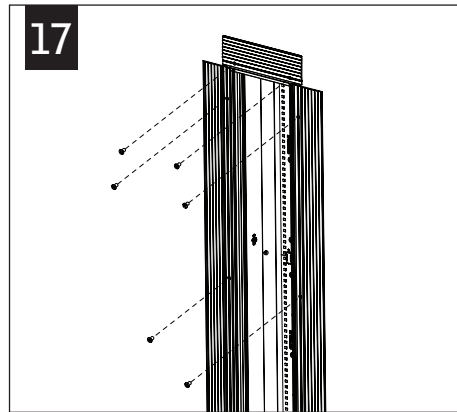
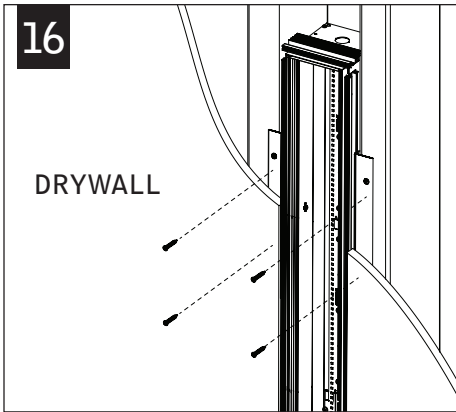
IF BACKER FLANGES WERE PRE-INSTALLED SKIP TO STEP 4



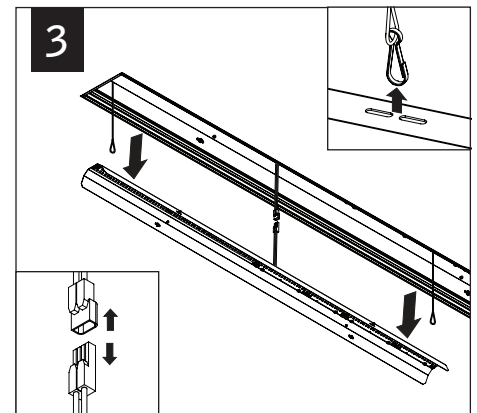
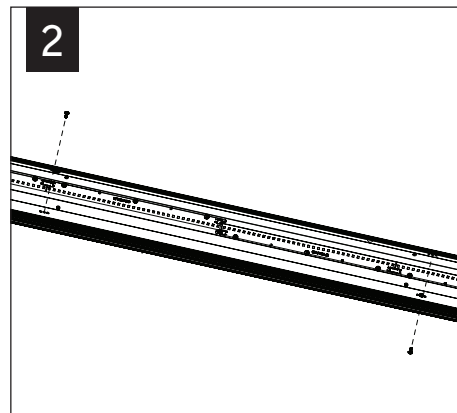
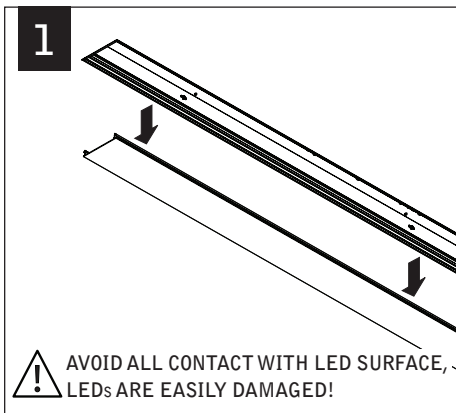
Luminaires must be installed by a qualified electrician (check with local and national codes for proper installation).
To prevent electrical shock, disconnect electrical supply before installation or servicing.



Luminaires must be installed by a qualified electrician (check with local and national codes for proper installation).
To prevent electrical shock, disconnect electrical supply before installation or servicing.



DRIVER SERVICE



EMERGENCY

I

SEE BATTERY MANUFACTURER INSTRUCTIONS

EMERGENCY MAXIMUM MOUNTING HEIGHT:
13.00'

Contractor is responsible for adequately reinforcing walls and/or ceilings to support luminaire weight. Focal Point, LLC accepts no responsibility for inadequately reinforced walls and/or ceilings. The information contained in this drawing is the sole property of Focal Point, LLC. Any reproduction in part or whole without the written permission of Focal Point, LLC is prohibited.