

Seem® 6

LED - WET LOCATION



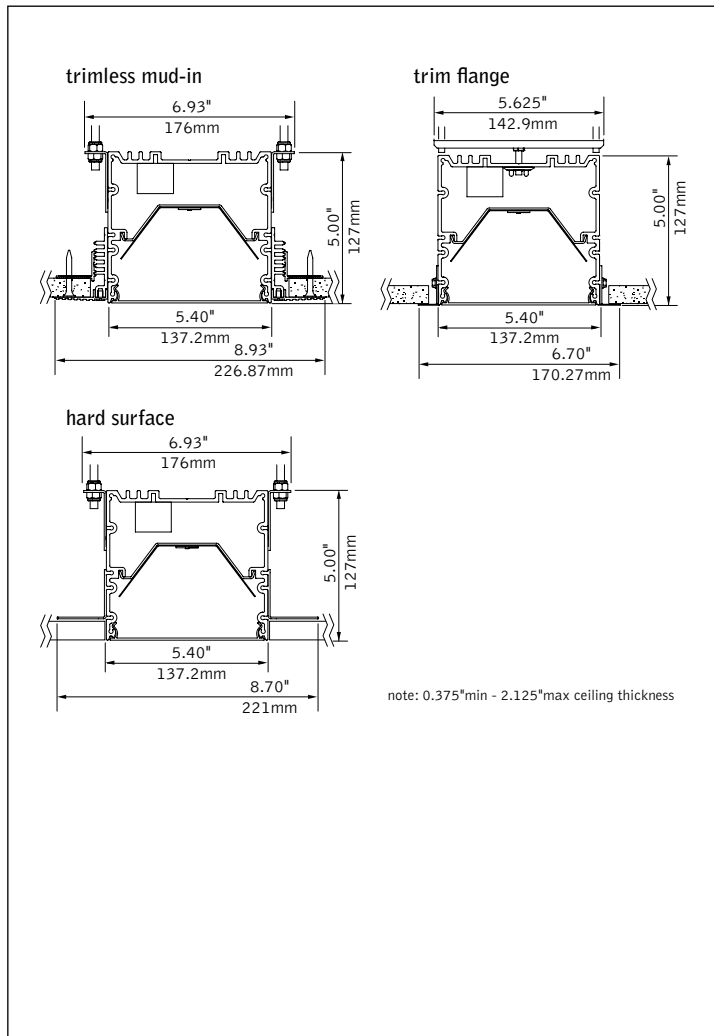
FOCAL POINT®

RL



end detail

DIMENSIONAL DATA



FEATURES

Narrow extruded aluminum 6" aperture recessed slot LED suitable for wet location..

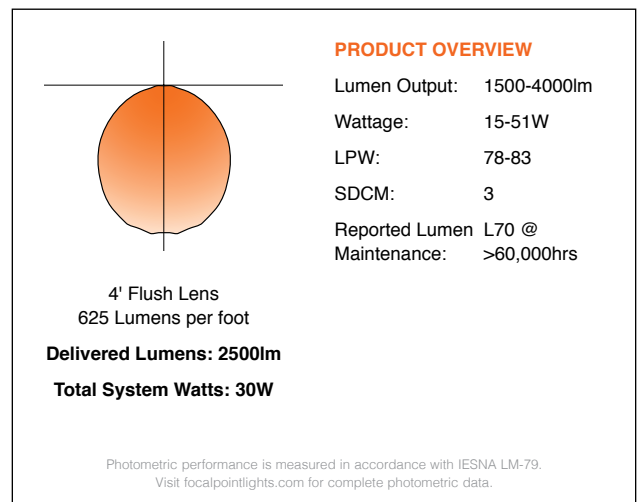
Integrates with ceiling for a clean, unobtrusive aesthetic.

Individual units in 1' increments up to 8'.

Frosted acrylic lens provides uninterrupted illumination, without pixels or shadows.

LED position and lens material optimized to provide the perfect blend of high performance and visual comfort.

PERFORMANCE



fixture:

project:

SPECIFICATIONS

LED System

Proprietary linear LED module incorporates premium LEDs on a robust platform to achieve excellent thermal management. LEDs are placed to promote a uniform appearance. Available in 3000K, 3500K or 4000K with CRI>80, 3SDCM. LED modules and drivers are replaceable from below.

Construction

One piece extruded aluminum housing. 20 Ga. steel end caps. Housing for new construction applications. XFW acceptable for use with wood, consult factory for Type IC availability. 2' unit weight: 18 lbs., 3' unit weight: 24 lbs., 4' unit weight: 30 lbs., 5' unit weight: 36 lbs.

Optic

Reflectors fabricated of 22 Ga. steel finished in High Reflectance White powder coat. Extruded acrylic lens .085" thick with satin finish, up to 8' continuous.

Electrical

Luminaires are pre-wired with factory installed branch circuit wiring and over-molded quick connects. Standard 120-277V constant current driver includes 0-10V analog dimming. Dimming range 100% to 10%. Power factor > .9.

Emergency Battery

Bodine BSL310-CAN. Emergency output - 10 watts for 90 minutes. Maximum mounting height: 18ft. Emergency Circuit maximum mounting height: 21ft.

Labels

UL and cUL wet listed for recessed ceiling applications in indoor and outdoor locations. Lutron Drivers not recommended for outdoor environments below 0°C.

Finish

Polyester powder coat applied over a 5-stage pre-treatment.

Lumen Maintenance

Calculated: L70 at 105,000 hours Reported: L70 at >60,000 hours
Derived from EPA TM-21 calculator based on 10,000 hours of test data.

Warranty

LED system rated for operation in ambient environments up to 25°C. 5 year limited warranty.

4' PERFORMANCE CHART

Shielding	Lumens per Foot	Delivered Lumens	Tested System Watts	LPW
Flush Lens	375LF	1500	18	83
	625LF	2500	30	83
	875LF	3500	44	80
	1000LF	4000	51	78

*Based on 3500k, 4' lengths. *Lumen output may vary +/- 5%. Actual wattage may vary +/- 5%

ORDERING

Luminaire Series	FSM6LWL	FSM6LWL
Seem 6 LED Wet Location	FSM6LWL	
Shielding		FL
Flush Satin Lens <small>(Ceiling applications only)</small>	FL	
Lumen Output		
375 Lumens per foot	375LF	
625 Lumens per foot	625LF	
875 Lumens per foot	875LF	
1000 Lumens per foot <small>(Not available with L3D driver)</small>	1000LF	
Color Temperature		
3000K	30K	
3500K	35K	
4000K	40K	
Circuit		1C
Single Circuit	1C	
Voltage		
120 Volt	120	
277 Volt	277	
UNV Volt <small>(Cannot be specified with EM option)</small>	UNV	
Driver		
<small>(See driver reference for driver quantities)</small>		
0-10V - 10% Dimming	LD1	
Lutron A-Series	L3D	
1% EcoSystem Digital <small>(Consult factory for 3-wire control)</small>		
0-10V - 1% Dimming <small>(Consult factory)</small>		
Ceiling Configurations		
Trim Flange Drywall <small>(3' minimum with Lutron Drivers)</small>	TF	
Trim Flange Wood <small>(3' minimum with Lutron Drivers)</small>	TFW	
Mud-in Trimless, pre-set for 1/2" Drywall	XF1	
Mud-in Trimless, pre-set for 5/8" Drywall	XF2	
Mud-in Trimless, set thickness in field <small>(Mounting equipment assembled in field)</small>	XFF	
Non-Drywall Hard Surface	XFN	
Hard Surface, Wood	XFW	
Factory Options		
Chicago Plenum	CP	
Emergency Circuit*	EC	
Emergency Battery Pack* <small>(4' lengths or longer)</small>	EM	
6' New York City Flex Whip	FNY	
6' Flex Whip	FW	
Finish		WH
Matte White Housing	WH	
Luminaire Length <small>(Lengths are nominal)</small>		
<small>(not available with combination of TF or TFW & L3D options)</small>	2'	2'
	3'	3'
	4'	4'
	5'	5'
	6'	6'
	7'	7'
	8'	8'
<small>(Smaller increments available. Consult factory for details.)</small>		

Seem® 6

LED - FLUSH LENS

FSM6L-FL-375LF-35K-LD1-WH-4'

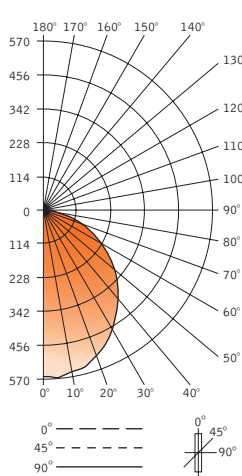
Filename: FSM6LFL375LF35K.IES

Lumens: 1475lm

System Watts: 18W

LPW: 82

CANDLEPOWER DISTRIBUTION



Vertical Angle	Horizontal Angle				
	0°	22.5°	45°	67.5°	90°
0°	566	566	566	566	566
5°	570	568	562	562	560
15°	551	544	538	536	534
25°	499	493	488	484	478
35°	430	420	415	411	400
45°	351	344	336	330	325
55°	267	267	261	252	241
65°	175	174	172	159	164
75°	93	95	93	86	88
85°	26	26	20	24	20
90°	7	6	2	6	4
95°	0	0	0	0	0
105°	0	0	0	0	0
115°	0	0	0	0	0
125°	0	0	0	0	0
135°	0	0	0	0	0
145°	0	0	0	0	0
155°	0	0	0	0	0
165°	0	0	0	0	0
175°	0	0	0	0	0
180°	0	0	0	0	0

LUMEN SUMMARY

Zone	Lumens	% Fixture
0-30°	430	29.1
0-40°	690	46.8
0-60°	1181	80.1
0-90°	1475	100.0
Total Luminaire 0-180°	1475	100.0

LUMINANCE DATA (CD/M²)

Vertical Angle	Horizontal		
	0°	45°	90°
45°	3162	3028	2925
55°	2963	2902	2675
65°	2642	2586	2475
75°	2299	2299	2162
85°	1923	1490	1490

Go to www.focalpointlights.com for additional photometric data.

Seem® 6

LED - FLUSH LENS

FSM6L-FL-625LF-35K-LD1-WH-4'

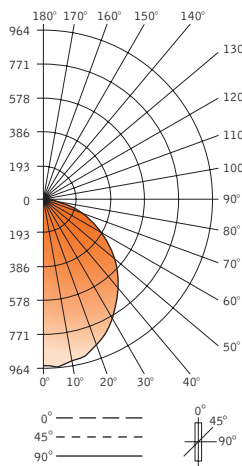
Filename: FSM6LFL625LF35K.IES

Lumens: 2495lm

System Watts: 31W

LPW: 80

CANDLEPOWER DISTRIBUTION



Vertical Angle	Horizontal Angle				
	0°	22.5°	45°	67.5°	90°
0°	957	957	957	957	957
5°	964	961	951	951	948
15°	932	920	910	907	903
25°	844	834	825	819	809
35°	727	711	701	695	676
45°	594	582	569	559	550
55°	452	452	442	427	408
65°	298	294	290	269	278
75°	158	161	158	146	149
85°	45	45	35	41	35
90°	13	9	3	9	6
95°	0	0	0	0	0
105°	0	0	0	0	0
115°	0	0	0	0	0
125°	0	0	0	0	0
135°	0	0	0	0	0
145°	0	0	0	0	0
155°	0	0	0	0	0
165°	0	0	0	0	0
175°	0	0	0	0	0
180°	0	0	0	0	0

LUMEN SUMMARY

Zone	Lumens	% Fixture
0-30°	727	29.1
0-40°	1167	46.8
0-60°	1998	80.1
0-90°	2495	100.0
Total Luminaire 0-180°	2495	100.0

LUMINANCE DATA (CD/M²)

Vertical Angle	Horizontal		
	0°	45°	90°
45°	5348	5122	4947
55°	5013	4908	4525
65°	4469	4375	4186
75°	3888	3888	3657
85°	3253	2520	2520

Go to www.focalpointlights.com for additional photometric data.

Seem® 6

LED - FLUSH LENS

FSM6L-FL-875LF-35K-LD1-WH-4'

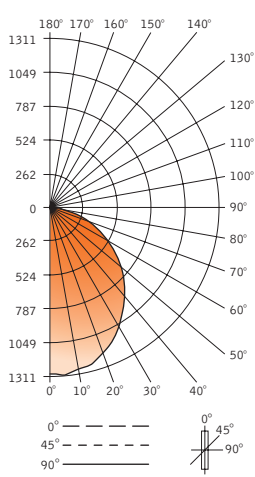
Filename: FSM6LFL875LF35K.IES

Lumens: 3395lm

System Watts: 45W

LPW: 75

CANDLEPOWER DISTRIBUTION



Vertical Angle	Horizontal Angle				
	0°	22.5°	45°	67.5°	90°
0°	1303	1303	1303	1303	1303
5°	1311	1307	1294	1294	1290
15°	1269	1252	1239	1234	1229
25°	1148	1135	1123	1114	1100
35°	989	967	954	946	920
45°	808	791	774	761	748
55°	618	618	602	581	555
65°	404	400	395	365	378
75°	215	219	215	198	202
85°	61	61	47	55	47
90°	17	13	4	13	9
95°	0	0	0	0	0
105°	0	0	0	0	0
115°	0	0	0	0	0
125°	0	0	0	0	0
135°	0	0	0	0	0
145°	0	0	0	0	0
155°	0	0	0	0	0
165°	0	0	0	0	0
175°	0	0	0	0	0
180°	0	0	0	0	0

LUMEN SUMMARY

Zone	Lumens	% Fixture
0-30°	989	29.1
0-40°	1587	46.8
0-60°	2718	80.1
0-90°	3395	100.0
Total Luminaire 0-180°	3395	100.0

LUMINANCE DATA (CD/M²)

Vertical Angle	Horizontal		
	0°	45°	90°
45°	7277	6970	6732
55°	6821	6679	6158
65°	6081	5953	5696
75°	5290	5290	4976
85°	4426	3429	3429

Go to www.focalpointlights.com for additional photometric data.

Seem® 6

LED - FLUSH LENS

FSM6L-FL-1000LF-35K-LD1-WH-4'

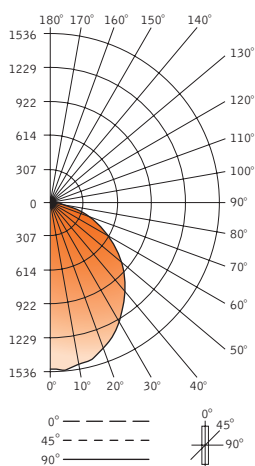
Filename: FSM6LFL1000LF35K.IES

Lumens: 3982lm

System Watts: 51W

LPW: 78

CANDLEPOWER DISTRIBUTION



Vertical Angle	Horizontal Angle					Zonal Lumens
	0°	22.5°	45°	67.5°	90°	
0°	1526	1526	1526	1526	1526	
5°	1536	1531	1516	1516	1511	145
15°	1486	1466	1451	1446	1440	143
25°	1345	1330	1315	1305	1289	609
35°	1158	1133	1118	1108	1078	703
45°	947	927	907	891	876	704
55°	720	720	705	680	650	626
65°	473	468	463	428	443	451
75°	252	257	252	232	237	260
85°	71	71	55	65	66	69
90°	20	15	5	15	10	
95°	0	0	0	0	0	0
105°	0	0	0	0	0	0
115°	0	0	0	0	0	0
125°	0	0	0	0	0	0
135°	0	0	0	0	0	0
145°	0	0	0	0	0	0
155°	0	0	0	0	0	0
165°	0	0	0	0	0	0
175°	0	0	0	0	0	0
180°	0	0	0	0	0	0

LUMEN SUMMARY

Zone	Lumens	% Fixture
0-30°	1167	29.3
0-40°	1871	47.0
0-60°	301	80.4
0-90°	3982	100.0
Total Luminaire 0-180°	3982	100.0

LUMINANCE DATA (CD/M²)

Vertical Angle	Horizontal		
	0°	45°	90°
45°	8459	8099	7829
55°	7932	7766	7156
65°	7077	6929	6625
75°	6147	6147	5778
85°	5111	4016	4016

Go to www.focalpointlights.com for additional photometric data.