

FUSION - FSN

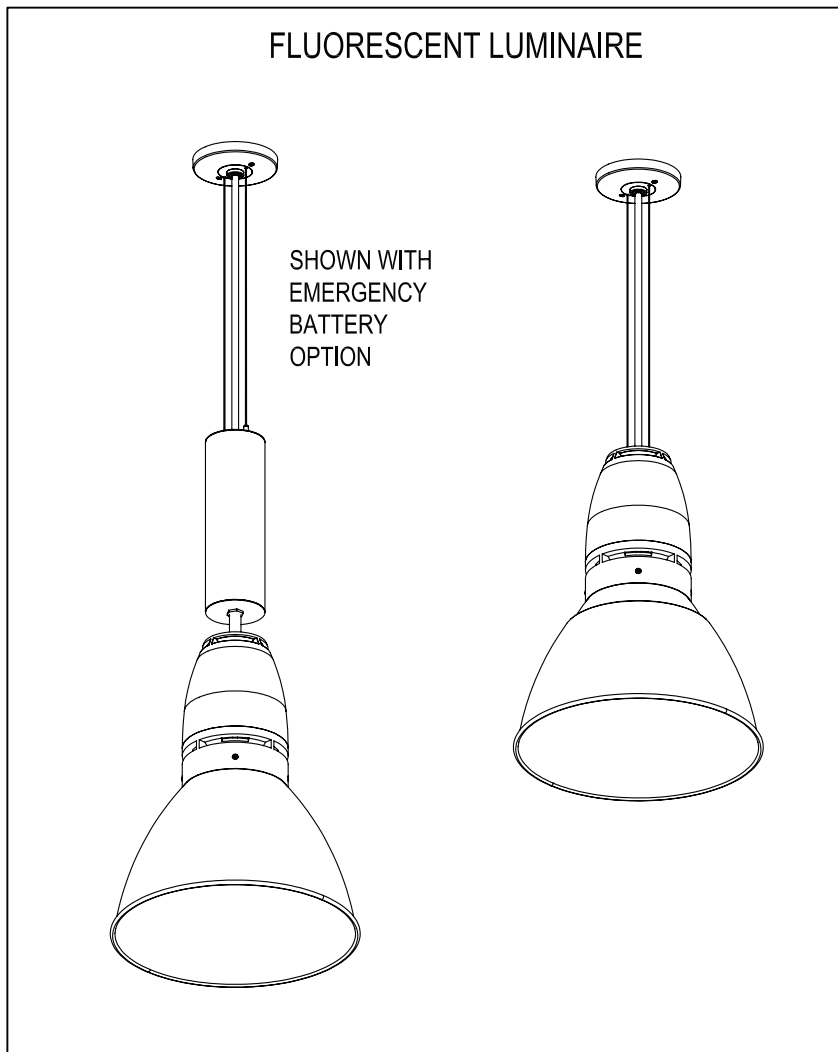
SAFETY AND INSTALLATION INSTRUCTIONS

FIXTURES MUST BE INSTALLED BY A QUALIFIED ELECTRICIAN (CHECK WITH LOCAL AND NATIONAL CODES FOR PROPER INSTALLATION). TO PREVENT ELECTRICAL SHOCK, DISCONNECT ELECTRICAL SUPPLY BEFORE INSTALLATION OR SERVICING.

1. READ ALL INSTRUCTIONS PRIOR TO INSTALLATION.
2. DISCONNECT ELECTRICAL POWER BEFORE SERVICING LUMINAIRE.
3. TO AVOID DAMAGE, KEEP LUMINAIRE IN ORIGINAL CARTON.
4. DO NOT PLACE HEAVY OBJECTS ON CARTONS.

TOOLS AND MATERIALS REQUIRED (by others)

1. Slotted screw driver
2. Phillips screw driver (#1, #2)
(magnetic tip recommended)



CONTRACTOR IS RESPONSIBLE FOR ADEQUATELY REINFORCING WALLS AND/OR CEILINGS TO SUPPORT FIXTURE WEIGHT. FOCAL POINT, L.L.C. ACCEPTS NO RESPONSIBILITY FOR INADEQUATELY REINFORCED WALLS AND/OR CEILINGS.

THE INFORMATION CONTAINED IN THIS DRAWING IS THE SOLE PROPERTY OF FOCAL POINT LLC. ANY REPRODUCTION IN PART OR WHOLE WITHOUT THE WRITTEN PERMISSION OF FOCAL POINT LLC IS PROHIBITED. 2015 © FOCAL POINT LLC



FOCAL POINT

INSTALLATION GUIDE NO.

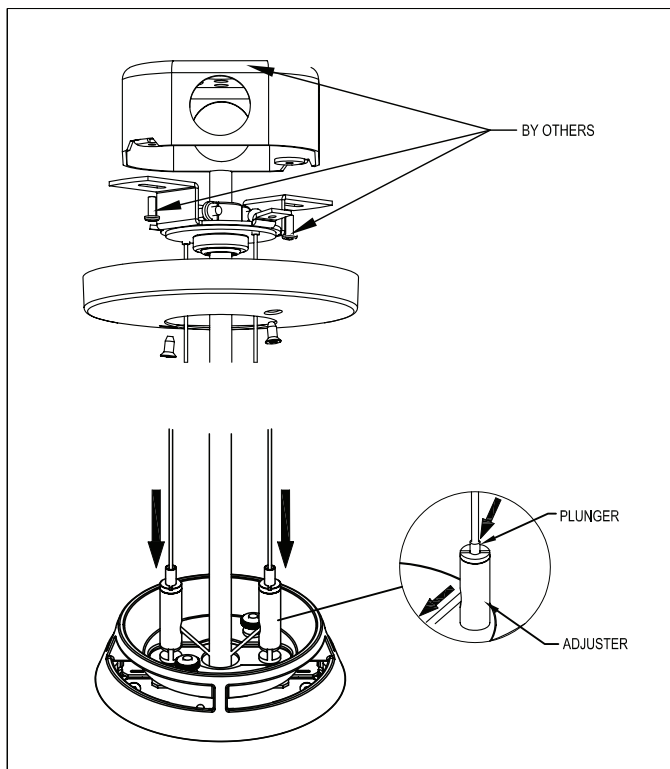
ISO233

DWG. NO.

REV. D

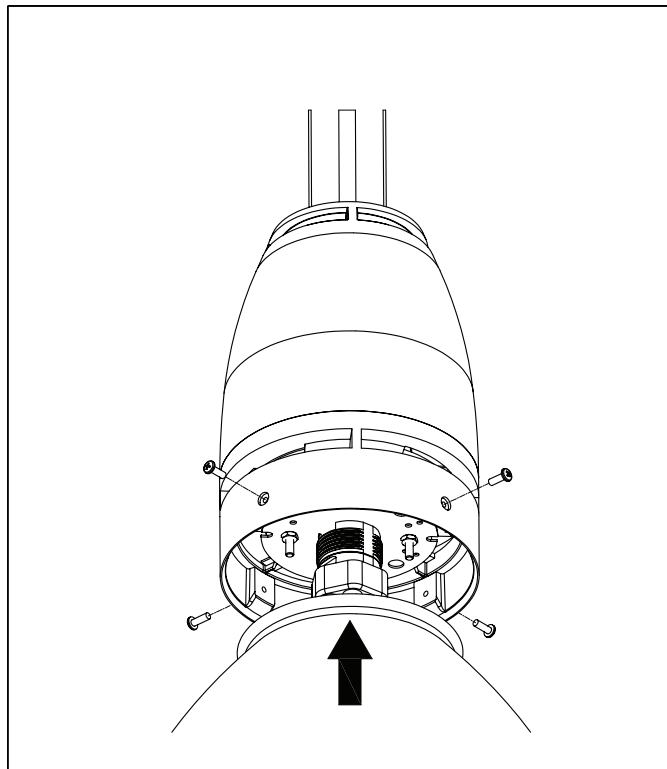
AIRCRAFT CABLE SUSPENSION

1



MAKE ELECTRICAL CONNECTIONS AND INSTALL CANOPY ASSEMBLY AS SHOWN. TO ADJUST MOUNTING HEIGHT, DEPRESS PLUNGER ON ADJUSTER. TRIM EXCESS CABLE.

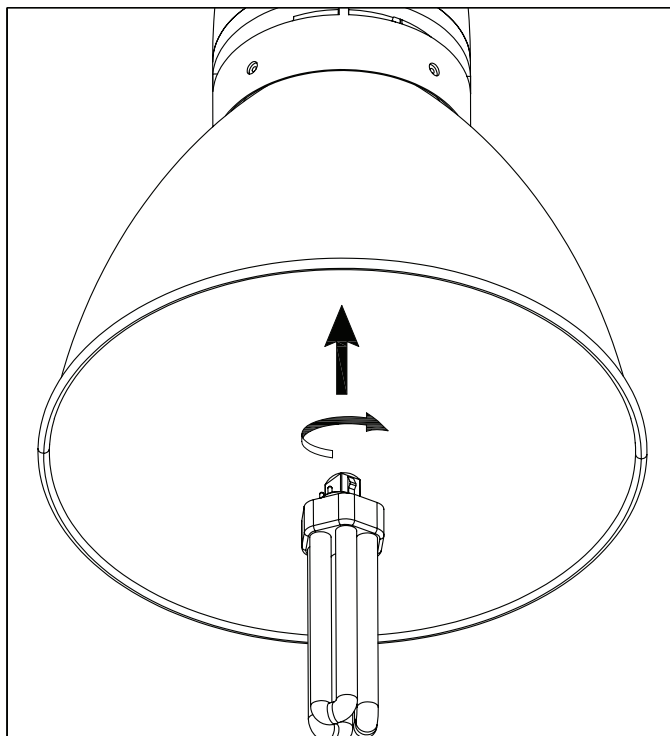
2



SECURE REFLECTOR IN PLACE USING (4) SCREWS FACTORY SUPPLIED.

LAMP INSTALLATION

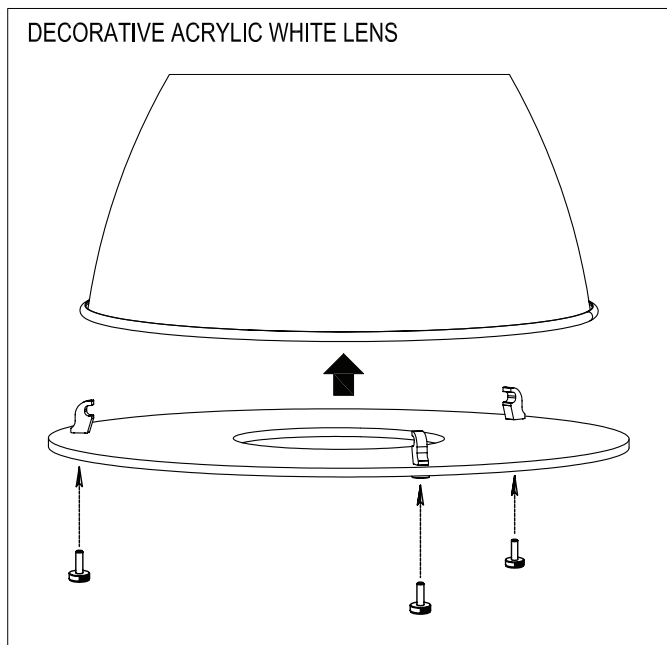
3



TWIST AND LOCK LAMP INTO SOCKET.

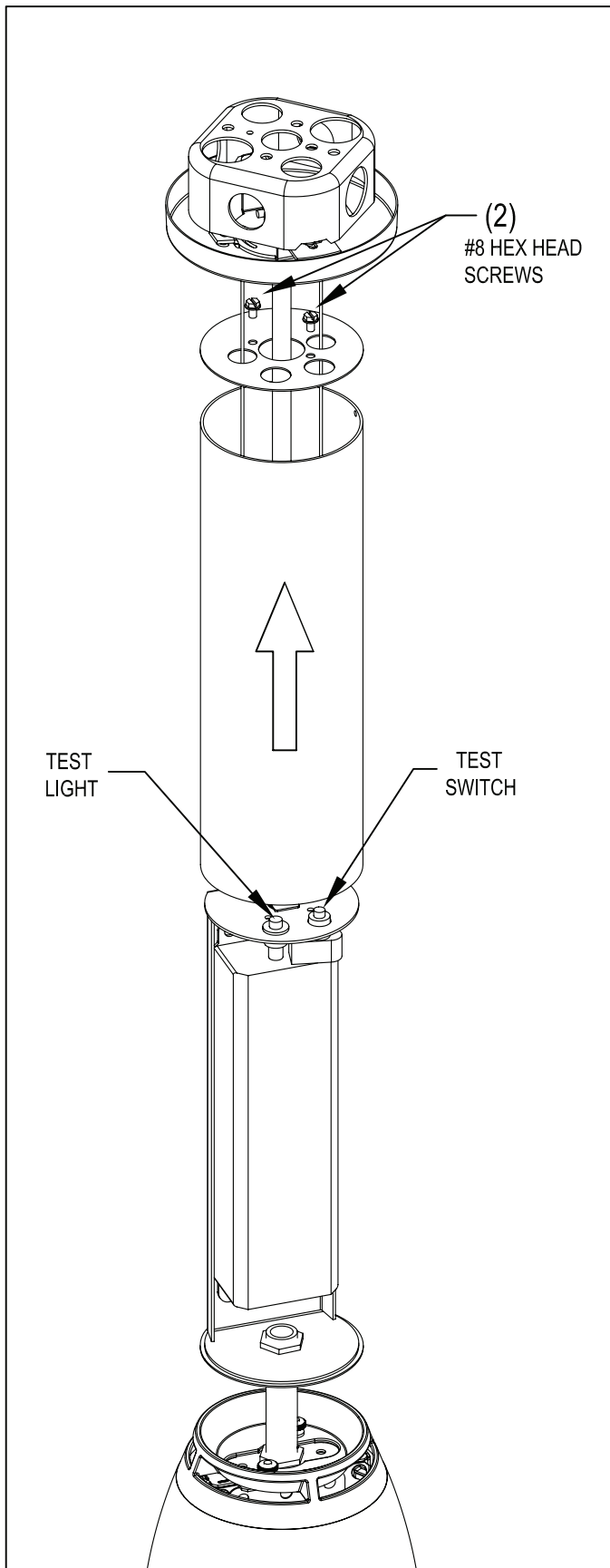
LENS INSTALLATION

DECORATIVE ACRYLIC WHITE LENS



INSTALL LENS AS SHOWN. (3) THUMB SCREWS FACTORY SUPPLIED. LEAVE ONE SCREW LOOSE AND TIGHTEN AFTER LENS IS IN PLACE.

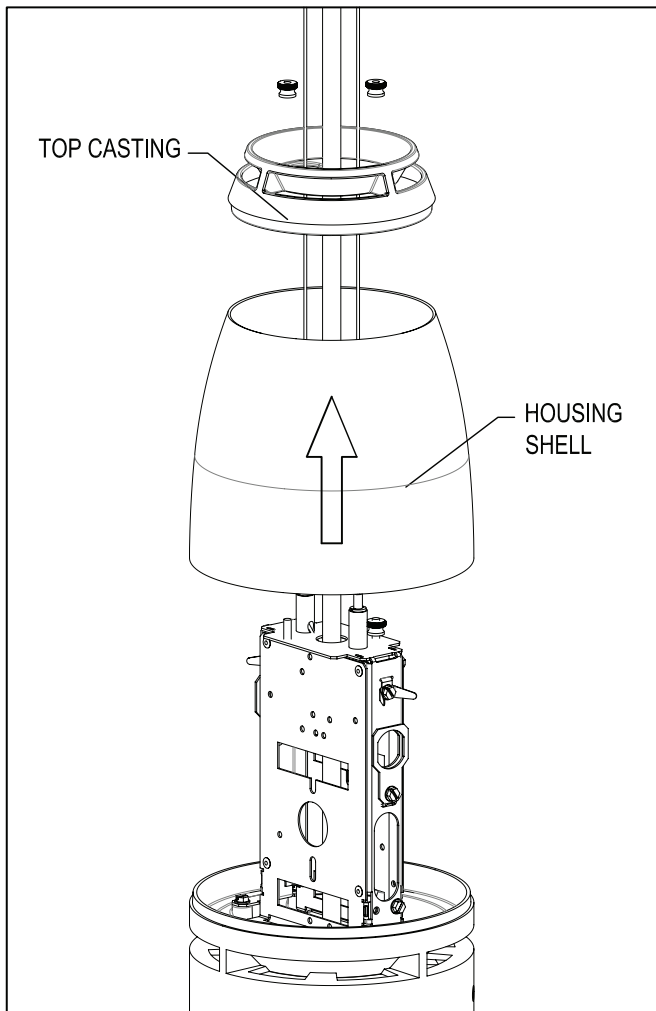
EMERGENCY BATTERY



LOOSEN (2) HEX HEAD SCREWS TO ACCESS
EMERGENCY BATTERY PACK.

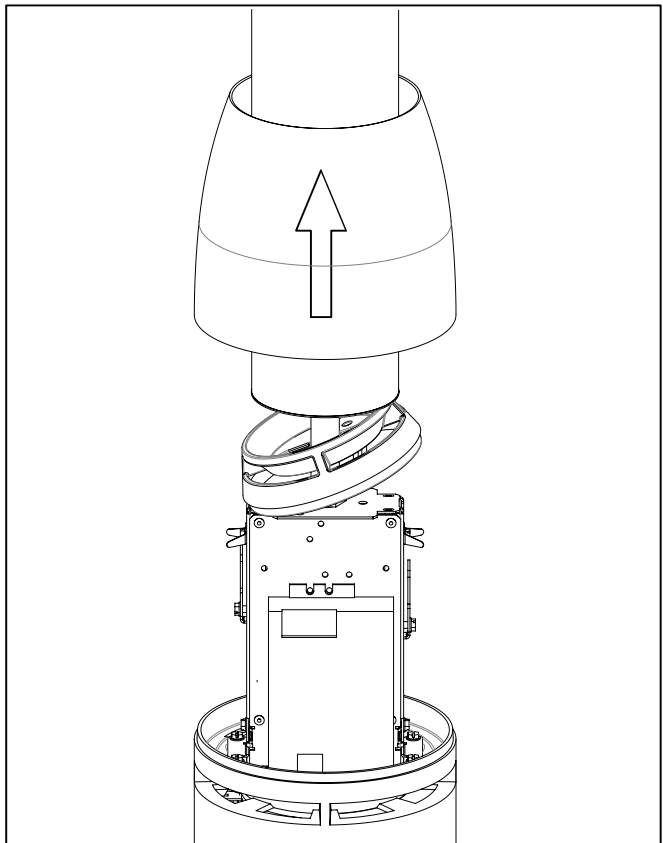
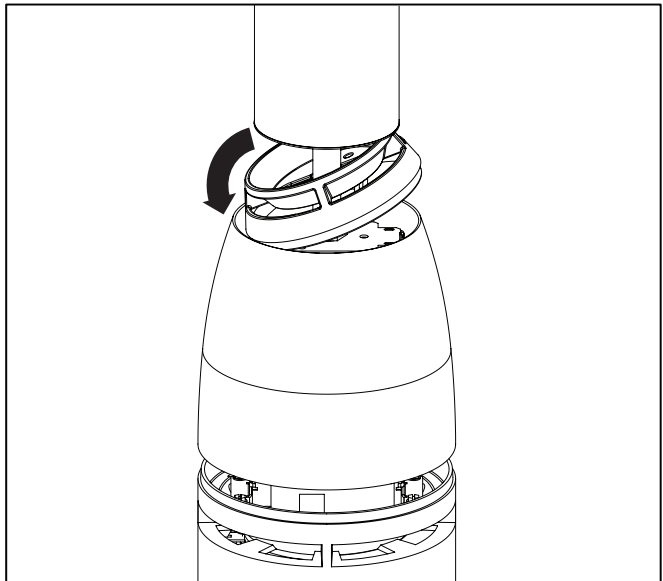
BALLAST SERVICING

STANDARD LUMINAIRE



1. Remove thumb screws from top casting.
2. Raise top casting and housing shell to access wiring.

EMERGENCY BATTERY EQUIPPED LUMINAIRE



1. Remove thumb screws from top casting as shown in standard luminaire instructions.
2. Tilt top casting to allow it to slide through top of housing shell.
3. Raise housing shell over top casting and battery compartment to access wiring.