



illuminated  
heat vent

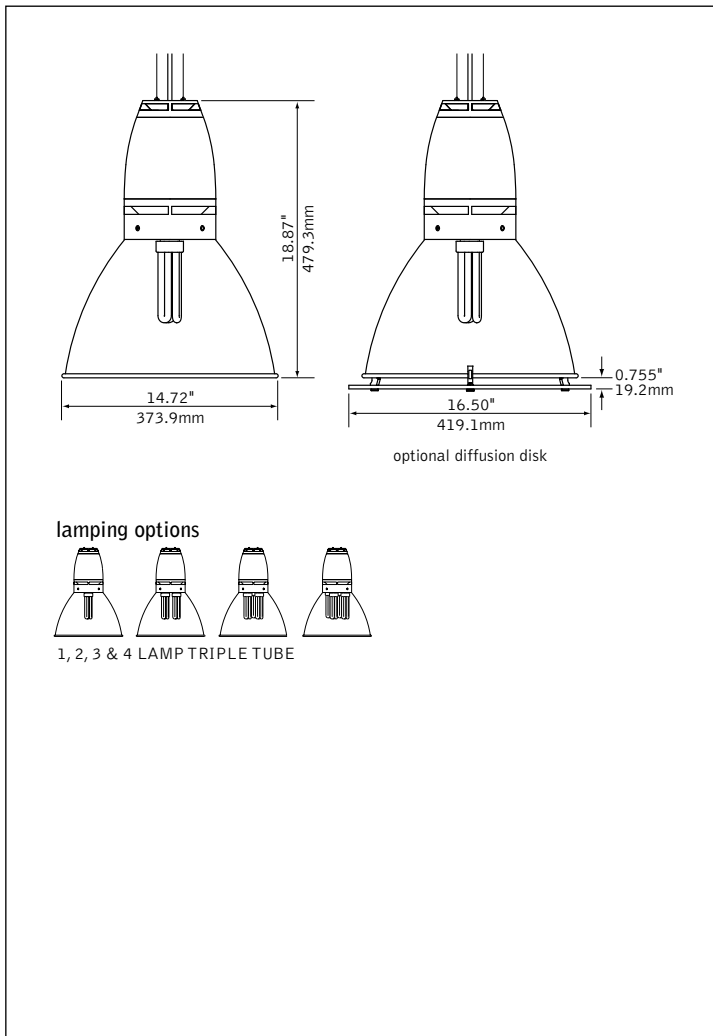


frosted white  
diffusion disk



frosted green  
diffusion disk

## DIMENSIONAL DATA



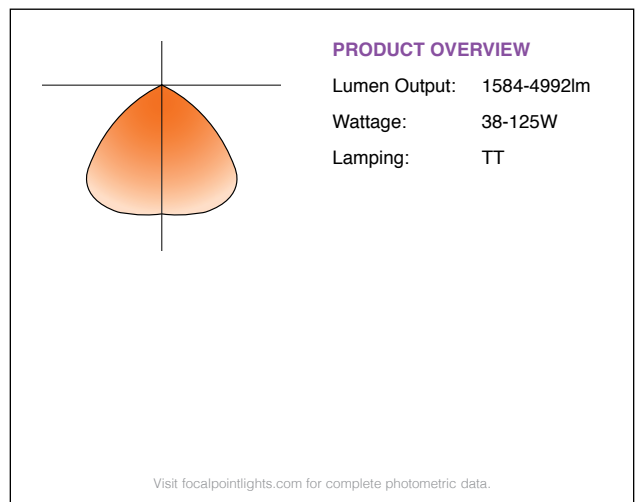
## FEATURES

Pendant mount luminaire available in 1, 2, 3 and 4 lamp compact fluorescent.

Fusion's™ refined appearance is a blend of highly tooled aluminum and precision die-cast components.

Ideally suited for retail, hospitality, lobbies, cafeterias, open ceiling areas and other specialty applications.

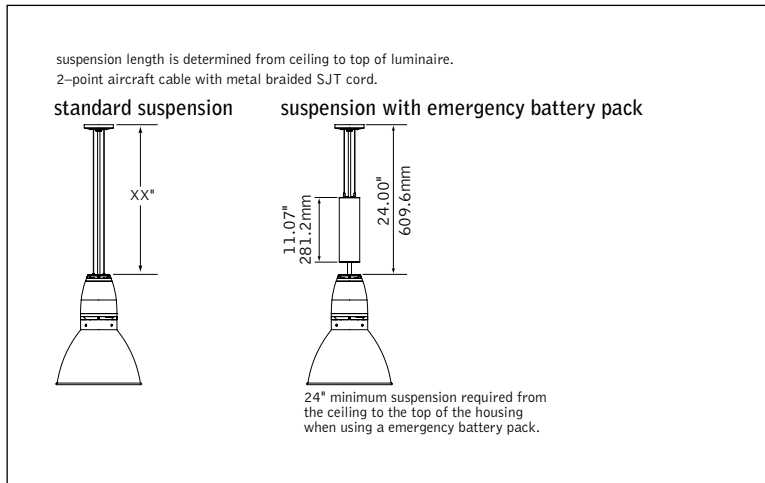
## PERFORMANCE



fixture:

project:

### SUSPENSION INFORMATION



### SPECIFICATIONS

#### Construction

Ballast enclosure constructed of 16Ga. spun aluminum center housing with die-cast ends. Ballast bracket constructed of 20Ga. galvanized steel. Reflector constructed of 16Ga. Spun aluminum, 14.72" Dia. Emergency battery pack housing constructed of 16Ga. steel tube, 11"H x 3.5" Dia. and 16Ga. C.R.S. ballast bracket. Canopy: 5" Dia. X .875"H., spun steel. Weight: 10 lbs.

#### Optic

16Ga., anodized aluminum reflector with low iridescent, matte anodized interior finish. Optional frosted white or green acrylic diffusion disk with polished edges are retained by aluminum fasteners and (3) #8-32 thumb screws.

#### Electrical

Luminaires are pre-wired for single circuit with thermally protected class "P" electronic ballast. Factory installed decorative metal braided power cord is included. White SJT power cord supplied for Emergency circuit, dimming and 347 volt. Triple tube compact fluorescent, 4-pin, one, two, three or four lamp 32W (Gx24q-3).

#### Labels

UL and cUL listed.

#### Finish

Luminaire reflector and housing are clear anodized with clear polished satin finish. Castings finished in Bright Silver (BS). Reflector interior has matte diffuse finish. Die-cast housing caps finished in silver polyester powder coat applied over a 5-stage pre-treatment. Canopies finished in Matte Satin White.

### ORDERING

<b>Luminaire Series</b>		<b>FSN</b>
Fusion	FSN	_____
<b>Profile</b>		<b>RS</b>
Solid Reflector	RS	_____
<b>Lamp Quantity</b>		_____
One Lamp	1	_____
Two Lamp	2	_____
Three Lamp	3	_____
Four Lamp	4	_____
<b>Lamp Type</b>		<b>32TT</b>
32W Triple Tube, GX24q-3	32TT	_____
<b>Circuit</b>		_____
Single Circuit	1C	_____
Dual Circuit	2C	_____
<small>(Multiple lamp fixtures only)</small>		
<b>Voltage</b>		_____
120 Volt	120	_____
277 Volt	277	_____
347 Volt	347	_____
<b>Ballast</b>		<b>S</b>
Electronic Program Start <10% THD	S	_____
<b>Suspension</b>		_____
24" Aircraft Cable	C24	_____
48" Aircraft Cable	C48	_____
96" Aircraft Cable	C96	_____
<b>Factory Options</b>		_____
Emergency Battery Pack*	EM	_____
HLR/GLR Fuse	FU	_____
Frosted Green Diffusion Disk	GD	_____
Frosted White Diffusion Disk	WD	_____
Include 3000K Lamp*	L830	_____
Include 3500K Lamp*	L835	_____
Include 4100K Lamp*	L841	_____