

Theory

LED



all on



inside only

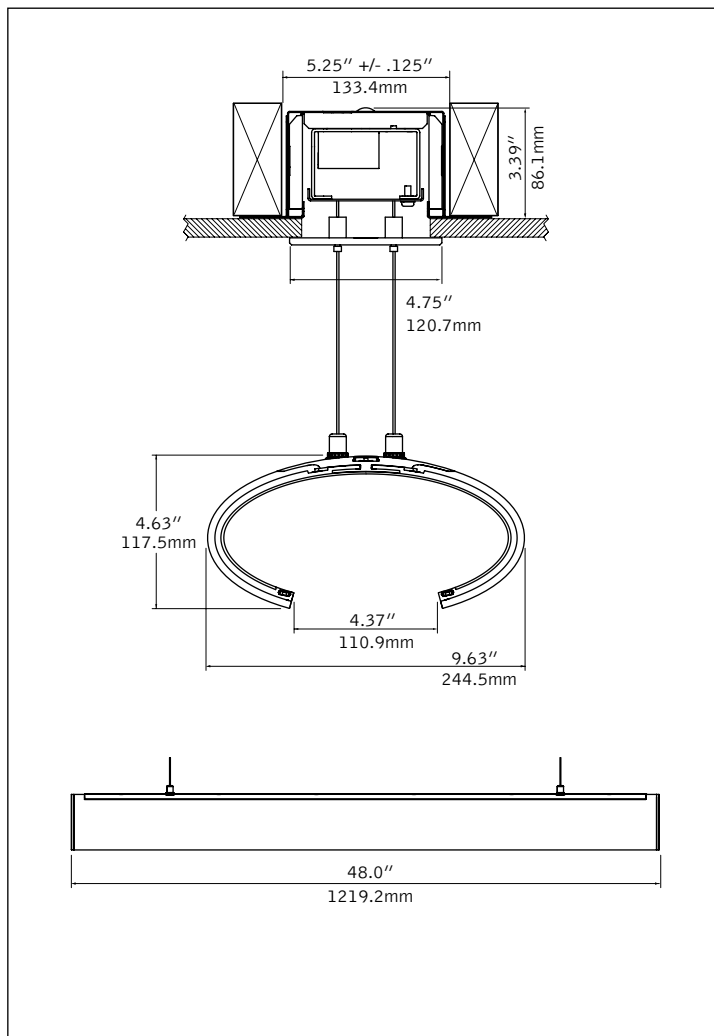


outside only



hard surface
canopy

DIMENSIONAL DATA



FEATURES

4' long decorative luminous LED pendant.

Elliptical body is edge lit to define a sparkling circular pattern and create a glowing, textured appearance.

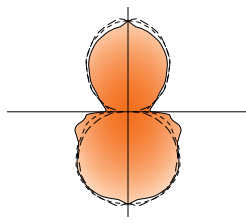
Concealed LEDs illuminate Theory's inside and outside surfaces independently.

Two circuits are standard with separate control of direct and indirect distributions.

Low voltage power is delivered via elegant and minimal aircraft cable suspensions.

Luxurious materials appear elegant even when Theory is not illuminated.

PERFORMANCE



PRODUCT OVERVIEW

Lumen Output: 1297-3373lm

Wattage: 34-94W

LPW: 34-38

SDCM: 3

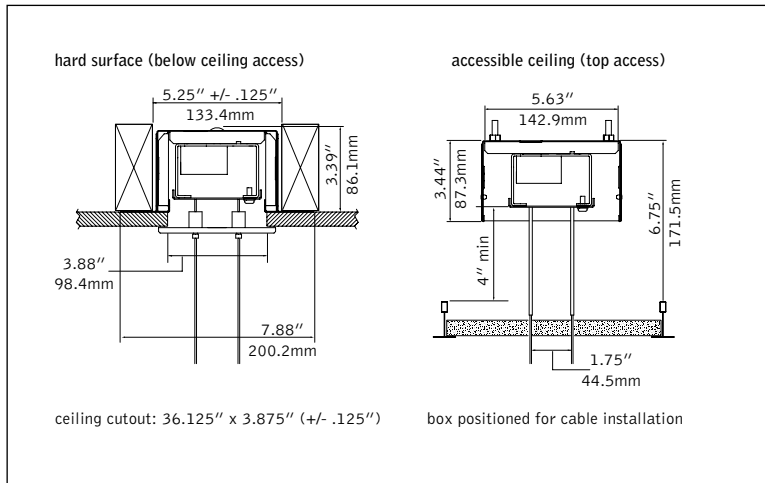
Lumen Maintenance: L70 @ 50,000hrs

Delivered Lumens: 3373lm

Total System Watts: 98W

Photometric performance is measured in accordance with IESNA LM-79. Visit focalpointlights.com for complete photometric data.

MOUNTING INFORMATION



SPECIFICATIONS

Construction

Molded patterned acrylic exterior mounted to aluminum body. Matte white interior reflector. Die cast endcaps in polished chrome finish. Pendant weight: 22 lbs.

LED System

Concealed linear LED modules. 0-10V dimming standard. Dimming range to 10%.

Mounting

White satin acrylic canopy and mounting yoke provided for hard surface applications for below ceiling access.

Suspension and Power

Low voltage power delivered via aircraft suspension/power cable. Adjustable suspension to 60", consult factory for longer lengths. Drivers in sheet metal enclosure above ceiling. Two circuits standard.

Labels

UL and cUL listed. Suitable for Dry or Damp Locations, indoor use only.

Lumen Maintenance

L70 at 50,000 hours.

Warranty

LED system rated for operation in ambient environments up to 25°C. 5 year limited warranty.

ORDERING

Luminaire Series		FTHPL	FTHPL
Theory		FTHPL	
Optic		LLP	LLP
Indirect/Direct with Luminous Patterned Light Guide		LLP	
LED System		LL1	LL1
Standard Output		LL1	
Color Temperature			
3000K			
3500K			
Circuits		2C	2C
Dual Circuit		2C	
Voltage			
120 Volt		120	
277 Volt		277	
Driver			
0-10V - 10% Dimming		LD1	
Lutron A-Series		L3D	
1% EcoSystem Digital			
<small>(Consult factory for 3-wire control)</small>			
Lutron A-Series		LTE	
Forward Phase			
<small>(120 only)</small>			
Housing Type			
T Rated		T	
<small>(Lutron only)</small>			
IC Rated		IC	
<small>(LD1 only)</small>			
Mounting			
Accessible Ceiling		G	
<small>(Grid or other top access)</small>			
Hard Surface		HS	
<small>(Below ceiling access only, canopy included)</small>			
Suspension and Power Feed		CLV60	CLV60
60" adjustable aircraft cable with integral low voltage power delivery		CLV60	
Factory Options		CP	CP
Chicago Plenum		CP	
<small>(LD1 only)</small>			