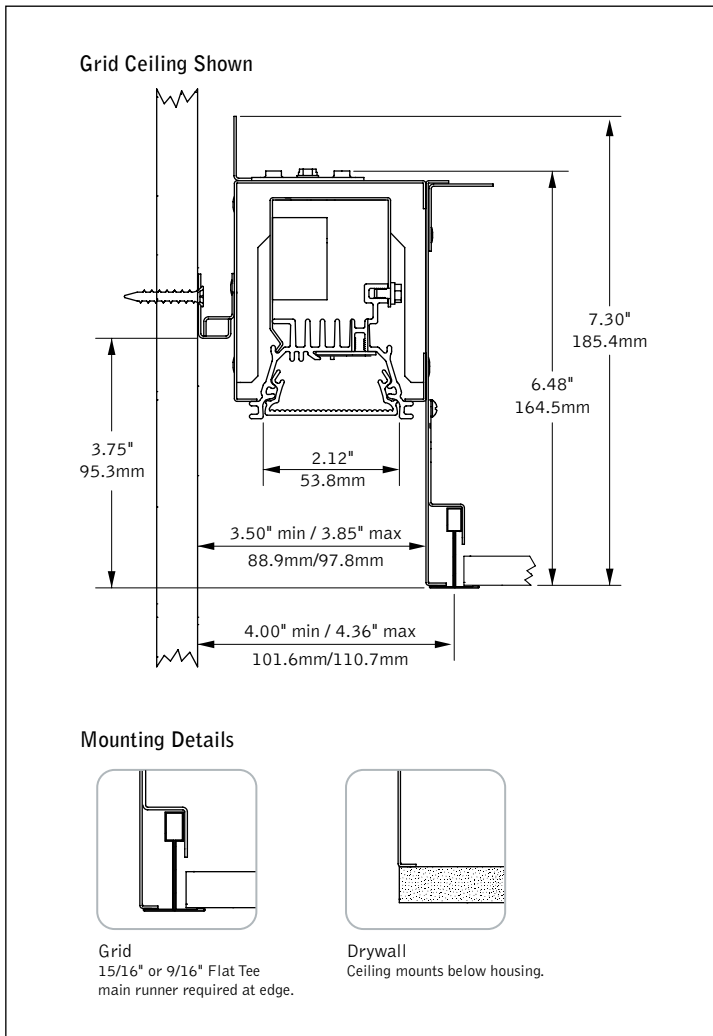


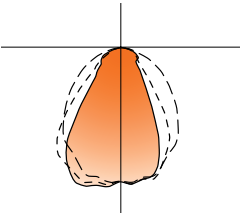
## DIMENSIONAL DATA



## FEATURES

- Low wattage LED slot provides glowing transition between wall and ceiling.
- Frosted lens with linear micro prism pattern obscures visibility to LED's and provides continuous, shadow-free illumination.
- Housing creates 3" architectural slot.
- Premium LEDs operate efficiently on a solid-core module platform to achieve excellent thermal management and reliable operation.
- L70 at 50,000 hours

## PERFORMANCE



**PRODUCT OVERVIEW**

Lumen Output: 1207lm

Wattage: 23W per 4'

LPW: 53

SDCM: 3

Lumen Maintenance: L70 @ 50,000hrs

**4' Luminaire**

**Delivered Lumens: 1207lm**

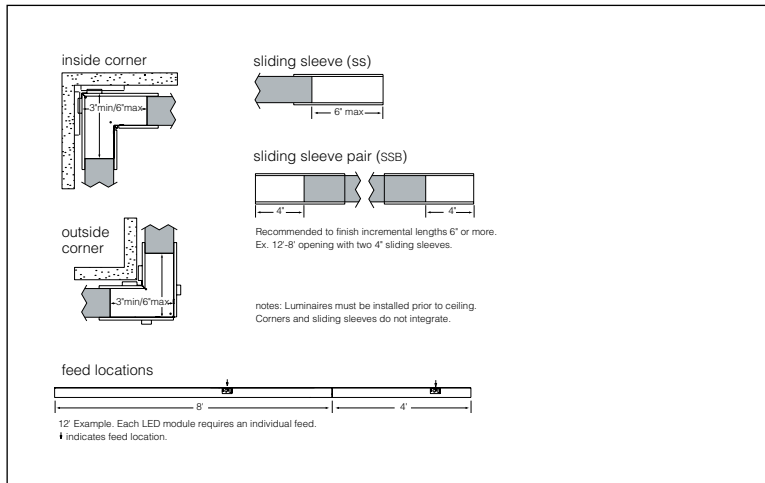
**Total System Watts: 22.9W**

Photometric performance is measured in accordance with IESNA LM-79. Visit focalpointlights.com for complete photometric data.

fixture:

project:

**DETAILS**



**SPECIFICATIONS**

**LED System**

Proprietary linear LED module incorporates premium LEDs on a solid-core platform to achieve excellent thermal management. Module is available in 3000K, 3500K or 4000K with CRI > 80. 0-10V dimming driver standard. LED module and driver are replaceable from below.

**Construction**

One piece .07" thick LED module housing of extruded aluminum. 20 Ga. steel outer housing creates floating ceiling effect and adjusts for alignment with walls. 20 Ga. steel internal bulkheads. 20 Ga. steel sliding sleeves and corners. 4' unit weight: 26 lbs.

**Optic**

Continuous illumination enabled by linear LED modules shielded by ribbed extruded frosted acrylic lens .06" thick with opal satin finish. Extended outer housing provides cutoff to illuminated lens.

**Electrical**

Standard 120-277V driver includes 0-10V analog dimming. Power factor > .9.

**Labels**

UL and cUL listed. Suitable for Dry or Damp Locations, indoor use only. Suitable for wood ceiling applications.

**Finish**

Polyester powder coat applied over a 5-stage pre-treatment.

**Lumen Maintenance**

L70 at 50,000 hours.

**Warranty**

LED system rated for operation in ambient environments up to 25°C. 5 year limited warranty.

**ORDERING**

<b>Luminaire Series</b>		<b>FTRL</b>
Trace	FTRL	
<b>Shielding</b>		<b>AC</b>
Frosted Acrylic Diffuser	AC	
<b>LED System</b>		<b>LL1</b>
Standard Output	LL1	
<b>Color Temperature</b>		
3000K	30K	
3500K	35K	
4000K	40K	
<b>Circuits</b>		<b>1C</b>
Single Circuit	1C	
<b>Voltage</b>		
120 Volt	120	
277 Volt	277	
UNV	UNV	
<b>Driver</b>		<b>LD1</b>
0-10V - 10% Dimming	LD1	
<b>Mounting</b>		
Grid	G	
Drywall	XF	
<b>Factory Options</b>		
Chicago Plenum	CP	
Emergency Circuit*	EC	
Flanged Ends	FL	
<small>(Recommended for applications where luminaire does not terminate at a wall or with Sliding Sleeve)</small>		
HLR/GLR Fuse	FU	
Sliding Sleeve	SS	
Sliding Sleeve Pair	SSB	
<small>(3' minimum length)</small>		
<b>Finish</b>		<b>WH</b>
Matte White Housing	WH	
<b>Luminaire Length</b>		
Specify luminaire/row length in 1' increments	XX'	
<small>(2' minimum)</small>		
<b>Corner Options</b>		
90-degree Inside Corner	FTRL-IC90	
90-degree Outside Corner	FTRL-OC90	