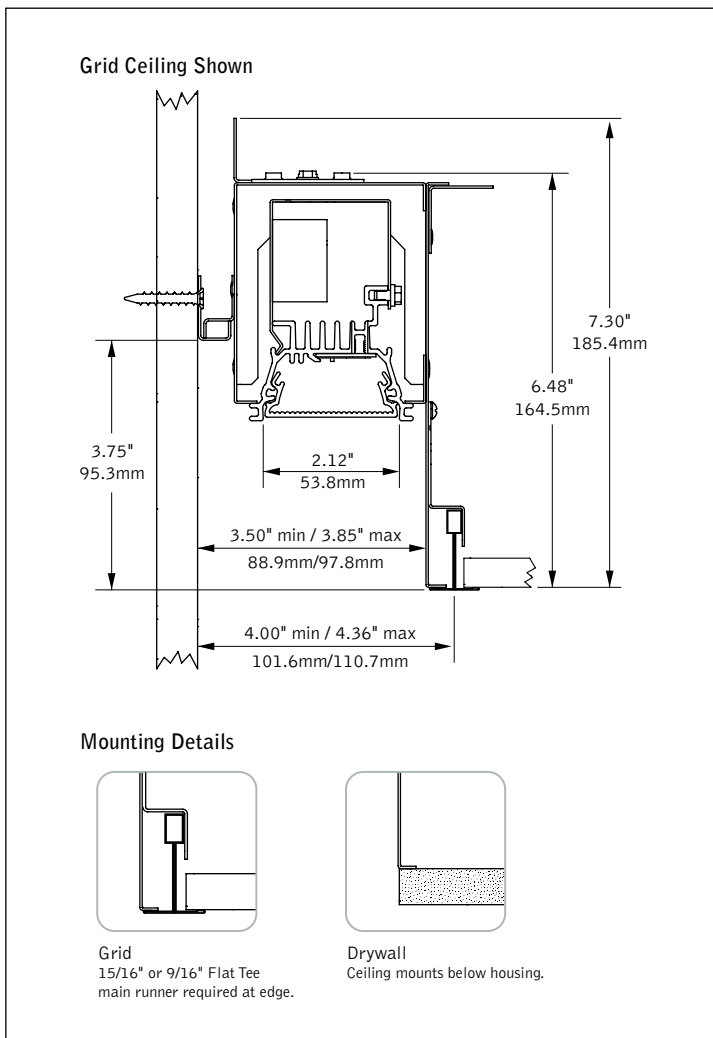


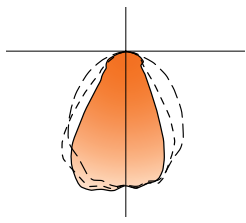
DIMENSIONAL DATA



FEATURES

- Low wattage LED slot provides glowing transition between wall and ceiling.
- Frosted lens with linear micro prism pattern obscures visibility to LED's and provides continuous, shadow-free illumination.
- Housing creates 3" architectural slot.

PERFORMANCE



PRODUCT OVERVIEW

Lumen Output: 1207lm

Wattage: 23W per 4'

LPW: 53

SDCM: 3

4' Luminaire

Delivered Lumens: 1207lm

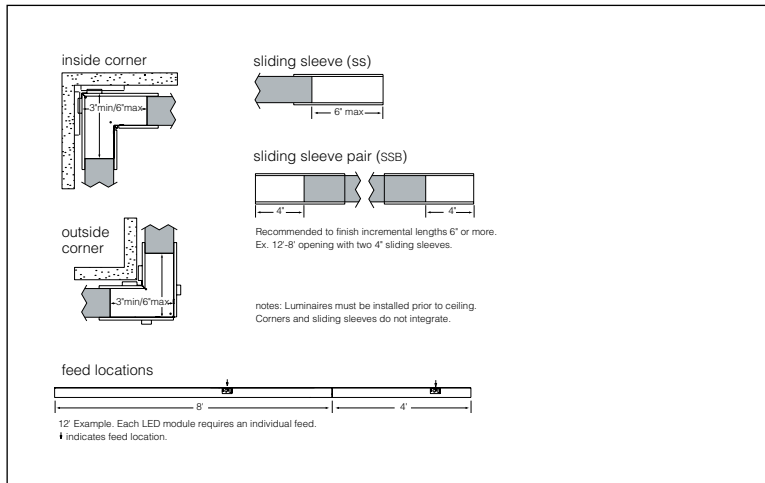
Total System Watts: 22.9W

Photometric performance is measured in accordance with IESNA LM-79.
Visit focalpointlights.com for complete photometric data.

fixture:

project:

DETAILS



SPECIFICATIONS

LED System

Proprietary linear LED module incorporates premium LEDs on a solid-core platform to achieve excellent thermal management. Module is available in 3000K, 3500K or 4000K with CRI > 80. 0-10V dimming driver standard. LED module and driver are replaceable from below.

Construction

One piece .07" thick LED module housing of extruded aluminum. 20 Ga. steel outer housing creates floating ceiling effect and adjusts for alignment with walls. 20 Ga. steel internal bulkheads. 20 Ga. steel sliding sleeves and corners. 4' unit weight: 26 lbs.

Optic

Continuous illumination enabled by linear LED modules shielded by ribbed extruded frosted acrylic lens .06" thick with opal satin finish. Extended outer housing provides cutoff to illuminated lens.

Electrical

Standard 120-277V driver includes 0-10V analog dimming. Power factor > .9.

Labels

UL and cUL listed. Suitable for Dry or Damp Locations, indoor use only. Suitable for wood ceiling applications.

Finish

Polyester powder coat applied over a multi-stage pre-treatment.

Lumen Maintenance

L70 at 50,000 hours.

Reliability

At Focal Point, our products are designed to stand the test of time. Each luminaire is engineered using superior components, manufactured with the utmost care and rigorously tested. Contact us for reliability data.

Warranty

LED system rated for operation in ambient environments up to 25°C. 5 year limited warranty.

ORDERING

Luminaire Series		FTRL
Trace	FTRL	_____
Shielding		AC
Frosted Acrylic Diffuser	AC	_____
LED System		LL1
Standard Output	LL1	_____
Color Temperature		_____
3000K	30K	_____
3500K	35K	_____
4000K	40K	_____
Circuits		1C
Single Circuit	1C	_____
Voltage		UNV
120/277 UNV Volt	UNV	_____
Driver		LD1
0-10V - 10% Dimming	LD1	_____
Mounting		_____
Grid	G	_____
Drywall	XF	_____
Factory Options		_____
Chicago Plenum	CP	_____
Emergency Circuit*	EC	_____
Flanged Ends	FL	_____
<small>(Recommended for applications where luminaire does not terminate at a wall or with Sliding Sleeve)</small>		
HLR/GLR Fuse	FU	_____
Sliding Sleeve	SS	_____
Sliding Sleeve Pair	SSB	_____
<small>(3' minimum length)</small>		
Finish		WH
Matte White Housing	WH	_____
Luminaire Length		_____
Specify luminaire/row length in 1' increments	XX'	_____
<small>(2' minimum)</small>		
Corner Options		_____
90-degree Inside Corner	FTRL-IC90	_____
90-degree Outside Corner	FTRL-OC90	_____