

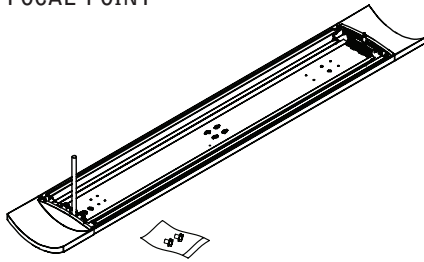
verve™ II

FV2S



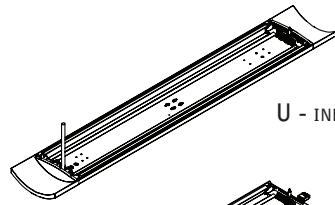
FOCAL POINT®

FOCAL POINT

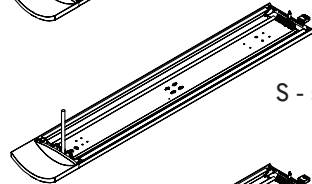


UNIVERSAL SUSPENSION SYSTEM - SHIPS SEPARATELY

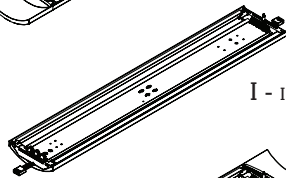
UNIT DESCRIPTION



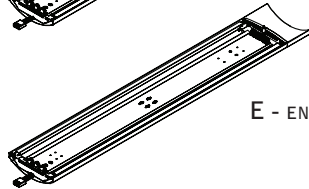
U - INDIVIDUAL



S - START OF RUN



I - INTERMEDIATE



E - END OF RUN

KEY



POWER OFF



POWER ON



LEVEL



ATTENTION



SEE ADDITIONAL INSTRUCTIONS

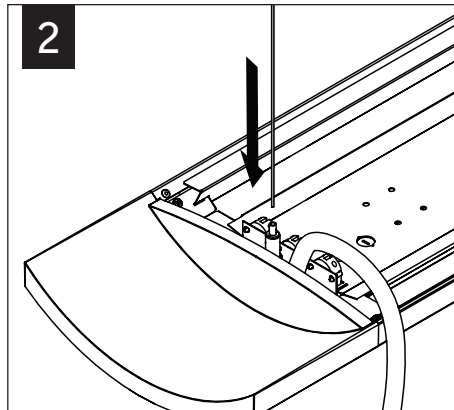
1

FOLLOW FOCAL POINT INSTRUCTIONS FOR UNIVERSAL SUSPENSION SYSTEM ASSEMBLY.

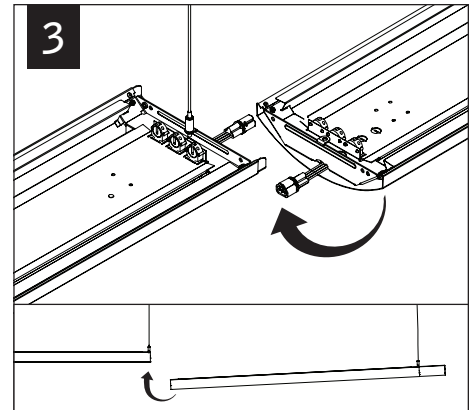
SEE IS0166



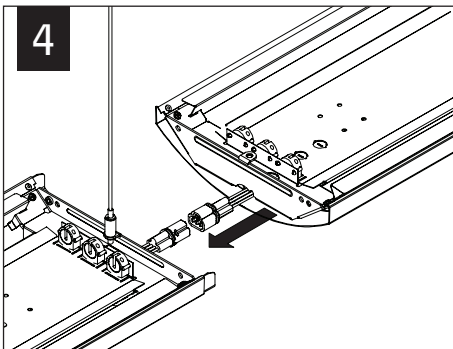
2



3

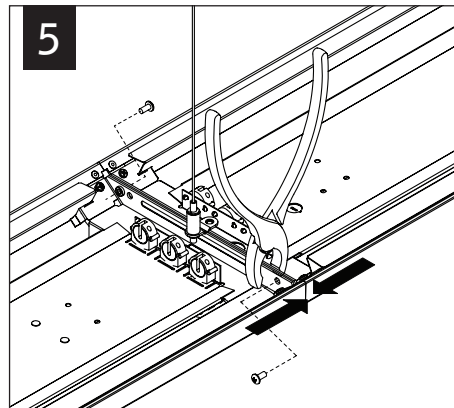


4

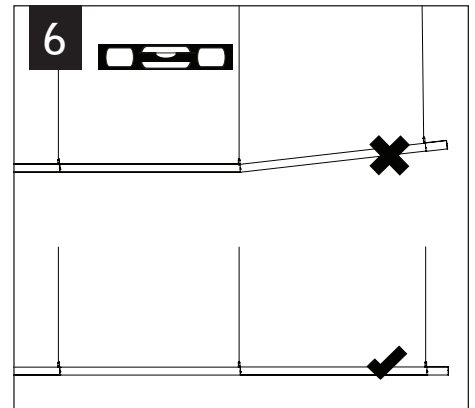


MAKE ELECTRICAL CONNECTIONS

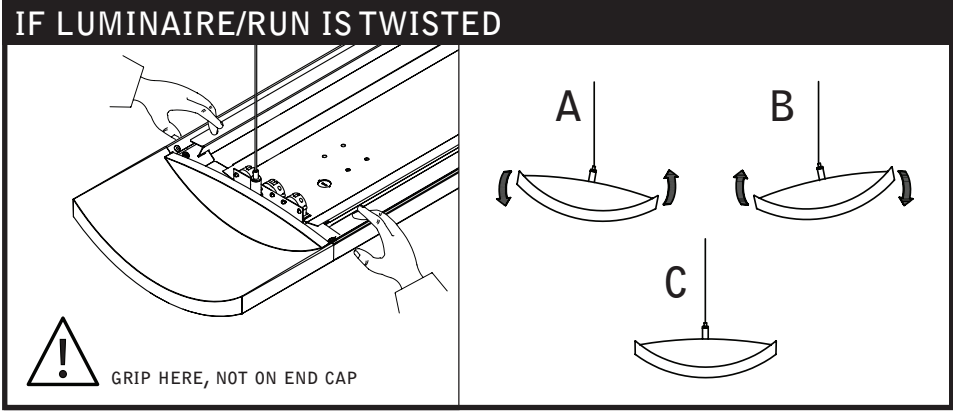
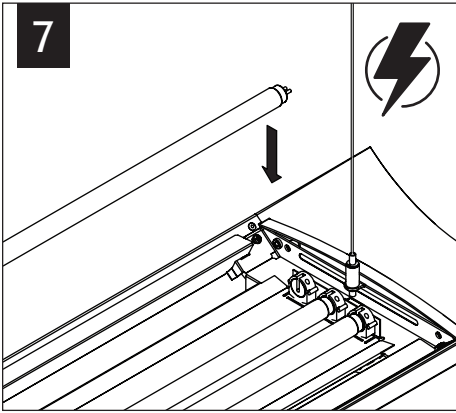
5



6

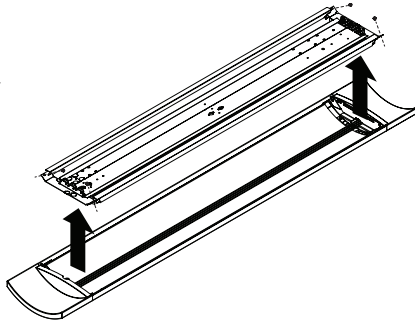


Luminaires must be installed by a qualified electrician (check with local and national codes for proper installation). To prevent electrical shock, disconnect electrical supply before installation or servicing.



BALLAST SERVICE

- 1 REMOVE LAMPS
- 2 REMOVE GEAR TRAY



EMERGENCY



SEE BATTERY MANUFACTURER INSTRUCTIONS

EMERGENCY MAXIMUM MOUNTING HEIGHT:
8.00'

Contractor is responsible for adequately reinforcing walls and/or ceilings to support luminaire weight. Focal Point, LLC accepts no responsibility for inadequately reinforced walls and/or ceilings. The information contained in this drawing is the sole property of Focal Point, LLC. Any reproduction in part or whole without the written permission of Focal Point, LLC is prohibited.