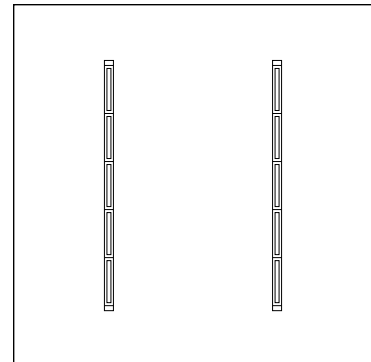


verve IV design guide

30'x30' | 10' Ceiling | 24" Suspension | 14' Spacing

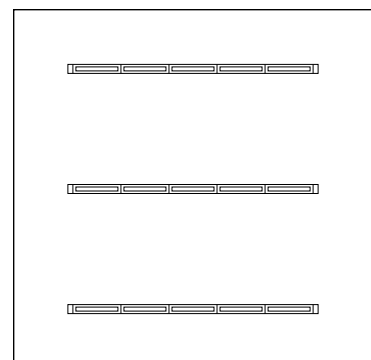
	Radial Baffle			Frosted Lens			Parabolic Louver		
1T5H0	32.2	3:1	7:1	29.7	3:1	8:1			
1T5H0-DR2	28.6	4:1	6:1						
2T5	39.8	3:1	7:1	35.6	3:1	8:1	33.8	3:1	8:1
2T5-DR0	33.7	5:1	2:1	21.4	4:1	2:1			
2T5-DR1	34.8	5:1	3:1	25.2	4:1	4:1			
2T5-DR2	34.7	4:1	4:1	23.8	3:1	6:1	27.0	5:1	5:1
2T5-DR4	35.7	4:1	6:1	28.7	3:1	7:1			
3T5	56.0	3:1	7:1						
3T5-DR2	44.5	4:1	5:1						
2T8	37.6	3:1	7:1	35.0	3:1	8:1	33.1	4:1	8:1
2T8-DR0	28.0	5:1	2:1						
2T8-DR1	29.9	5:1	3:1						
2T8-DR2	30.5	4:1	4:1				26.4	5:1	5:1
2T8-DR4	32.2	4:1	6:1						
3T8	55.3	3:1	7:1	45.7	3:1	8:1			
3T8-DR2	42.2	4:1	4:1						

- Average Footcandles
- Workplane Uniformity
- Ceiling Uniformity



30'x30' | 10' Ceiling | 24" Suspension | 10' Spacing

	Radial Baffle			Frosted Lens			Parabolic Louver		
1T5H0	45.4	3:1	6:1	42.3	2:1	7:1			
1T5H0-DR2	39.8	3:1	5:1						
2T5	56.2	3:1	6:1	50.6	3:1	7:1	47.9	3:1	6:1
2T5-DR0	46.2	4:1	2:1	29.1	3:1	2:1			
2T5-DR1	50.0	4:1	3:1	34.6	3:1	4:1			
2T5-DR2	48.0	3:1	4:1	33.1	3:1	5:1	37.4	4:1	5:1
2T5-DR4	49.8	3:1	5:1	40.2	3:1	6:1			
3T5	78.9	3:1	6:1						
3T5-DR2	61.6	3:1	5:1						
2T8	53.0	3:1	6:1	49.8	3:1	7:1	46.8	3:1	7:1
2T8-DR0	38.1	4:1	2:1						
2T8-DR1	41.0	4:1	3:1						
2T8-DR2	42.0	4:1	4:1				36.5	4:1	5:1
2T8-DR4	44.9	3:1	5:1						
3T8	78.0	3:1	6:1	64.8	3:1	7:1			
3T8-DR2	58.1	4:1	4:1						

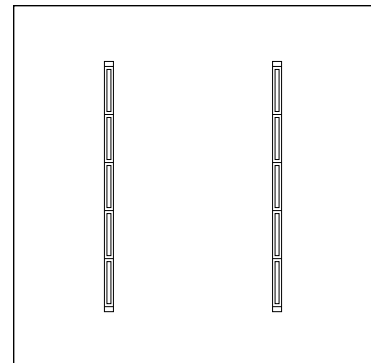


verve IV design guide

30'x30' | 8.5' Ceiling | 18" Suspension | 14' Spacing

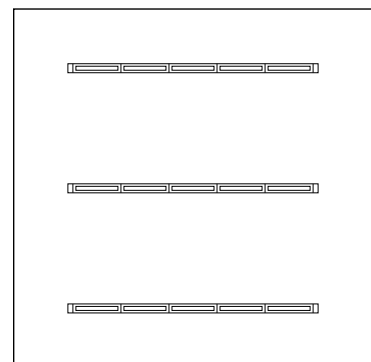
	Radial Baffle	Frosted Lens	Parabolic Louver
1T5H0	33.8 4:1 8:1	31.4 3:1 10:1	
1T5H0-DR2	29.8 5:1 7:1		
2T5	41.7 4:1 8:1	37.4 3:1 10:1	35.4 4:1 9:1
2T5-DR0	34.9 7:1 3:1	22.3 5:1 2:1	
2T5-DR1	36.1 6:1 4:1	26.3 4:1 5:1	
2T5-DR2	36.0 5:1 5:1	25.0 4:1 7:1	27.8 7:1 6:1
2T5-DR4	37.3 5:1 6:1	30.1 4:1 7:1	
3T5	58.5 4:1 8:1		
3T5-DR2	46.4 5:1 5:1		
2T8	39.3 4:1 8:1	36.8 3:1 9:1	34.5 4:1 9:1
2T8-DR0	28.9 7:1 3:1		
2T8-DR1	31.1 6:1 4:1		
2T8-DR2	31.8 5:1 5:1		27.3 7:1 7:1
2T8-DR4	33.7 5:1 6:1		
3T8	51.5 3:1 8:1	48.0 4:1 8:1	
3T8-DR2	43.8 5:1 4:1		

- Average Footcandles
- Workplane Uniformity
- Ceiling Uniformity



30'x30' | 8.5' Ceiling | 18" Suspension | 10' Spacing

	Radial Baffle	Frosted Lens	Parabolic Louver
1T5H0	48.2 3:1 7:1	44.8 3:1 8:1	
1T5H0-DR2	41.8 4:1 6:1		
2T5	59.3 3:1 7:1	53.5 3:1 8:1	50.4 4:1 8:1
2T5-DR0	48.0 5:1 2:1	30.5 4:1 2:1	
2T5-DR1	50.0 4:1 4:1	36.3 3:1 4:1	
2T5-DR2	50.1 4:1 4:1	50.2 4:1 4:1	38.9 5:1 5:1
2T5-DR4	52.2 4:1 6:1	42.3 3:1 7:1	
3T5	83.1 3:1 7:1		
3T5-DR2	64.4 4:1 5:1		
2T8	55.9 3:1 7:1	52.5 3:1 8:1	49.2 4:1 8:1
2T8-DR0	39.5 5:1 2:1		
2T8-DR1	42.8 4:1 3:1		
2T8-DR2	43.8 4:1 4:1		37.9 5:1 6:1
2T8-DR4	46.9 4:1 6:1		
3T8	82.0 3:1 7:1	68.3 3:1 8:1	
3T8-DR2	60.7 4:1 4:1		

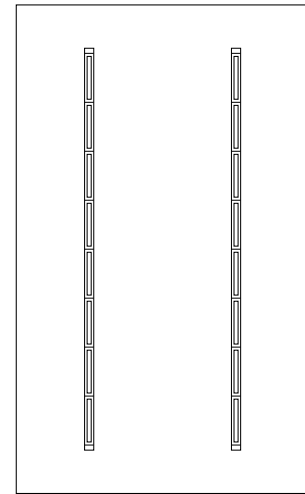


verve IV design guide

24'x40' | 10' Ceiling | 24" Suspension | 12' Spacing

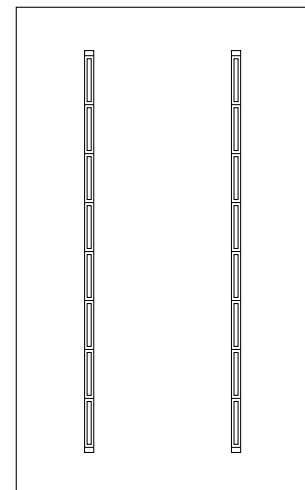
	Radial Baffle			Frosted Lens			Parabolic Louver		
1T5H0	46.3	3:1	6:1	42.8	3:1	6:1			
1T5H0-DR2	41.4	3:1	5:1						
2T5	57.5	3:1	6:1	51.4	3:1	7:1	48.9	3:1	6:1
2T5-DR0	49.0	4:1	2:1	31.2	3:1	2:1			
2T5-DR1	50.5	4:1	3:1	36.6	3:1	4:1			
2T5-DR2	50.4	4:1	4:1	34.6	3:1	5:1	39.2	4:1	5:1
2T5-DR4	51.9	3:1	5:1	41.6	3:1	6:1			
3T5	80.8	3:1	6:1						
3T5-DR2	64.6	3:1	5:1						
2T8	54.3	3:1	6:1	50.6	3:1	7:1	47.9	3:1	7:1
2T8-DR0	40.7	4:1	2:1						
2T8-DR1	43.5	4:1	3:1						
2T8-DR2	44.3	4:1	4:1				38.4	4:1	5:1
2T8-DR4	46.9	3:1	5:1						
3T8	80.0	3:1	6:1	66.1	3:1	7:1			
3T8-DR2	61.4	4:1	4:1						

- Average Footcandles
- Workplane Uniformity
- Ceiling Uniformity



24'x40' | 8.5' Ceiling | 18" Suspension | 12' Spacing

	Radial Baffle			Frosted Lens			Parabolic Louver		
1T5H0	49.0	3:1	7:1	45.4	3:1	8:1			
1T5H0-DR2	43.5	4:1	6:1						
2T5	60.6	3:1	7:1	54.3	3:1	8:1	51.4	4:1	8:1
2T5-DR0	51.2	5:1	2:1	32.7	4:1	2:1			
2T5-DR1	52.8	5:1	3:1	38.4	4:1	4:1			
2T5-DR2	52.7	4:1	4:1	36.4	3:1	5:1	40.8	5:1	5:1
2T5-DR4	54.4	4:1	5:1	43.8	3:1	6:1			
3T5	85.1	3:1	7:1						
3T5-DR2	67.8	4:1	5:1						
2T8	57.1	3:1	7:1	53.4	3:1	8:1	50.3	4:1	8:1
2T8-DR0	42.6	5:1	2:1						
2T8-DR1	45.5	5:1	3:1						
2T8-DR2	46.4	4:1	4:1				40.0	5:1	5:1
2T8-DR4	49.1	4:1	6:1						
3T8	84.0	3:1	7:1	69.7	3:1	8:1			
3T8-DR2	64.0	4:1	4:1						



verve IV design guide

- Average Footcandles
- Workplane Uniformity
- Ceiling Uniformity

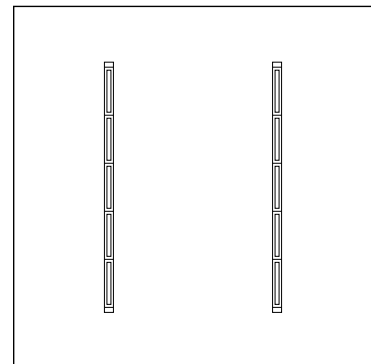
Close-to-Ceiling Application

30'x30' | 8' Ceiling | 6" Suspension | 14' Spacing

	Radial Baffle	Frosted Lens	Parabolic Louver
2T5-DR0	34.6 6:1 2:1	22.0 5:1 2:1	
2T5-DR1	35.1 5:1 4:1	25.2 4:1 4:1	
2T5-DR2	34.6 5:1 5:1	23.3 4:1 6:1	26.7 7:1 6:1
2T5-DR4	35.0 5:1 7:1	27.4 4:1 8:1	

30'x30' | 8' Ceiling | 12" Suspension | 14' Spacing

	Radial Baffle	Frosted Lens	Parabolic Louver
2T5-DR0	35.1 7:1 2:1	22.4 5:1 2:1	
2T5-DR1	36.1 6:1 4:1	26.3 5:1 4:1	
2T5-DR2	36.0 6:1 5:1	24.9 4:1 6:1	27.8 7:1 6:1
2T5-DR4	37.2 5:1 6:1	29.1 4:1 8:1	

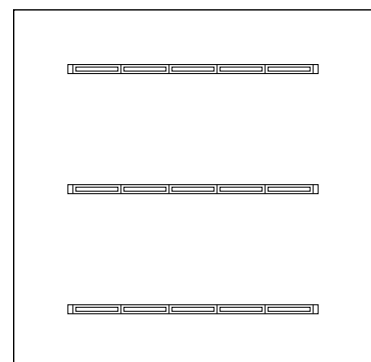


30'x30' | 8' Ceiling | 6" Suspension | 10' Spacing

	Radial Baffle	Frosted Lens	Parabolic Louver
2T5-DR0	47.6 4:1 2:1	29.0 4:1 2:1	
2T5-DR1	48.9 4:1 4:1	35.1 3:1 4:1	
2T5-DR2	48.6 4:1 4:1	33.0 3:1 6:1	37.6 5:1 6:1
2T5-DR4	49.8 4:1 6:1	39.5 3:1 7:1	

30'x30' | 8' Ceiling | 12" Suspension | 10' Spacing

	Radial Baffle	Frosted Lens	Parabolic Louver
2T5-DR0	48.2 5:1 2:1	30.7 4:1 2:1	
2T5-DR1	50.1 5:1 4:1	36.3 4:1 4:1	
2T5-DR2	50.1 4:1 4:1	34.7 3:1 6:1	38.9 5:1 6:1
2T5-DR4	52.1 4:1 6:1	42.1 3:1 7:1	



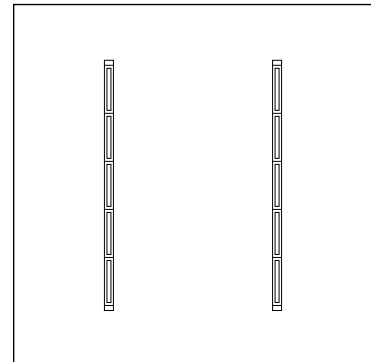
verve IV design guide

High Ceiling Application

30'x30' | 12' Ceiling | 3' Suspension | 14' Spacing

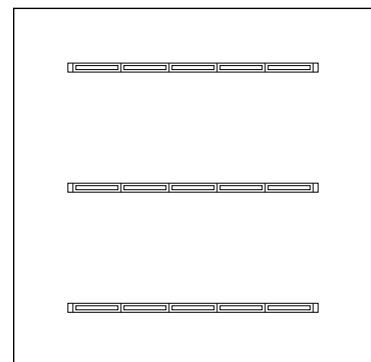
	Radial Baffle			Frosted Lens			Parabolic Louver		
1T5H0-DR2	27.1	3:1	5:1						
2T5-DR0	32.4	4:1	2:1	20.4	3:1	2:1			
2T5-DR1	33.2	4:1	3:1	23.8	3:1	4:1			
2T5-DR2	33.0	4:1	4:1	22.5	3:1	5:1	25.8	4:1	5:1
2T5-DR4	33.9	3:1	5:1	27.0	3:1	6:1			
2T8-DR0	26.8	4:1	2:1						
2T8-DR1	28.5	4:1	3:1						
2T8-DR2	29.0	4:1	4:1				25.2	4:1	5:1
2T8-DR4	34.6	3:1	5:1						

- Average Footcandles
- Workplane Uniformity
- Ceiling Uniformity



30'x30' | 12' Ceiling | 3' Suspension | 10' Spacing

	Radial Baffle			Frosted Lens			Parabolic Louver		
1T5H0-DR2	37.6	3:1	5:1						
2T5-DR0	44.1	4:1	2:1	27.7	3:1	2:1			
2T5-DR1	45.6	3:1	3:1	32.7	3:1	4:1			
2T5-DR2	45.5	3:1	4:1	31.1	2:1	5:1	35.5	3:1	4:1
2T5-DR4	47.0	3:1	4:1	37.6	2:1	5:1			
2T8-DR0	36.5	4:1	2:1						
2T8-DR1	39.2	3:1	3:1						
2T8-DR2	40.0	3:1	4:1				34.7	3:1	4:1
2T8-DR4	48.1	3:1	4:1						



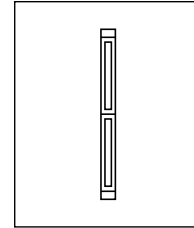
verve IV design guide

- Average Footcandles
- Workplane Uniformity
- Ceiling Uniformity

Private Office Application

10'x12' | 9' Ceiling | 18" Suspension

	Radial Baffle			Frosted Lens			Parabolic Louver		
1T5H0	31.3	1.5:1	4.4:1	24.9	1.5:1	4.8:1			
1T5H0-DR2	28.6	1.5:1	4.0:1						
2T5	39.3	1.5:1	4.7:1	34.0	1.5:1	5.3:1	33.8	2:1	5:1
2T8	37.3	1.5:1	4.8:1	33.5	1.5:1	5.3:1	33.1	2:1	5:1

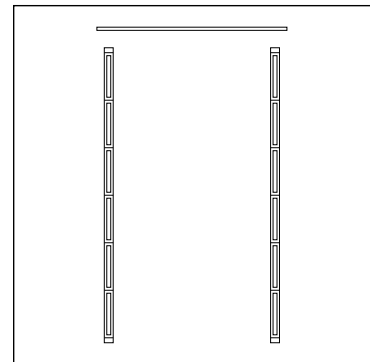


Classroom Application

30'x30' | 8.5' Ceiling | 18" Suspension | 14' Spacing

	General Use (all on & avenue a)			Whiteboard (all on & avenue a)			Audio-Visual (50% output only)		
Radial Baffle 2T8	49.0	3:1	7:1	56.6	2:1		22.9	4:1	9:1
Frosted Lens 2T8	45.9	3:1	8:1	58.2	2:1		22.6	3:1	10:1

Radial Baffle 2T8 at 50% output = 1 Lamp
 Frosted Lens 2T8 at 50% output = Dimmed to 50%



30'x30' | 8.5' Ceiling | 18" Suspension | 10' Spacing

	General Use (uplight & avenue a)			Whiteboard (uplight & avenue a)			Audio-Visual (downlight only)		
Radial Baffle 3T5-PDR	41.2	2:1	9:1	57.9	2:1		20.1	4:1	2:1
Radial Baffle 3T8-PDR	37.5	2:1	9:1	56.0	2:1		16.8	4:1	2:1

Classroom Notes: Whiteboard - 16'x4', mounted 3' aff.
 Avenue A - recessed 16' run, open optic, 1T5 mounted 24" from wall

