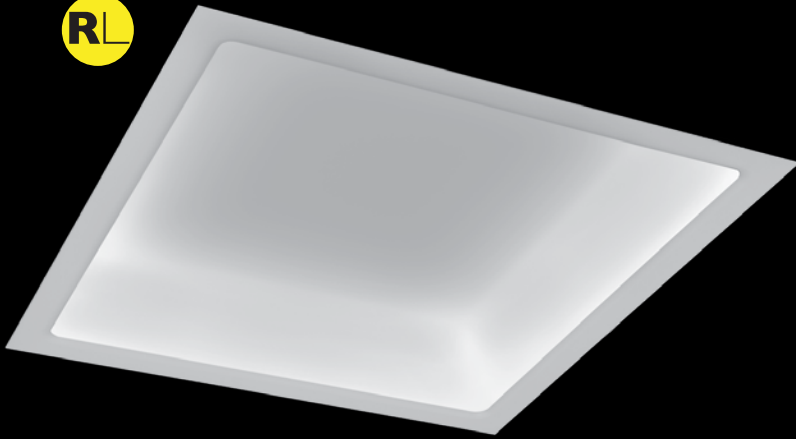
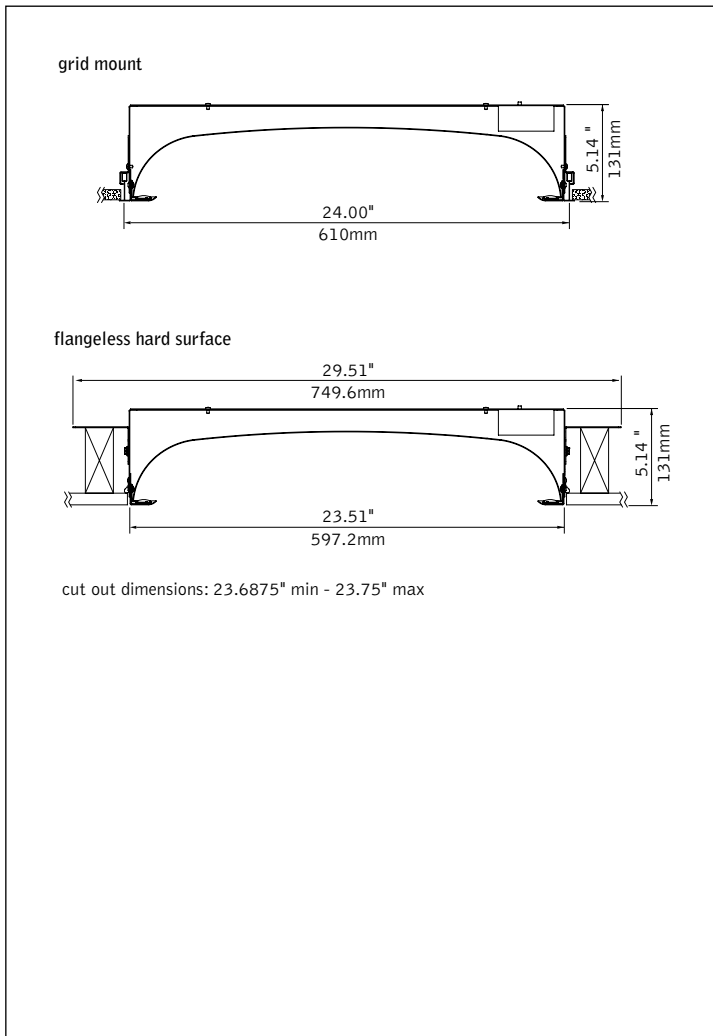


# Vault™ 2x2

LED



## DIMENSIONAL DATA



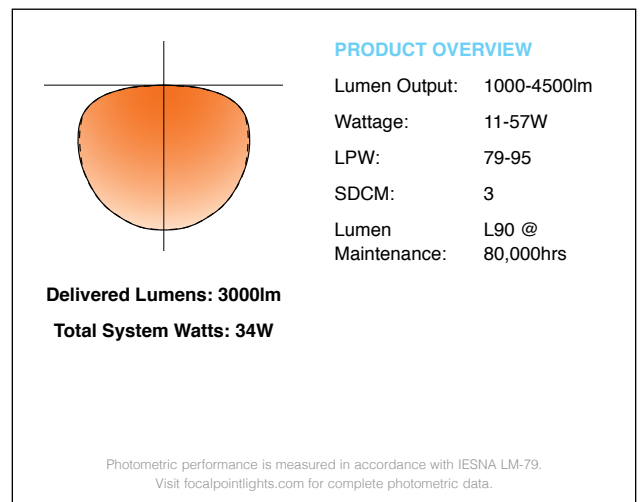
## FEATURES

Architectural recessed indirect 2'x2' LED luminaire with vaulted reflector.

Concealed indirect LEDs create symmetrical distribution and provide visual comfort.

Vaulted reflector adds visual interest by creating the illusion of depth, a design that can only be achieved with LED.

## PERFORMANCE

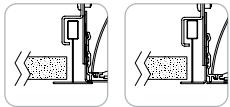


fixture:

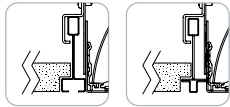
project:

**MOUNTING INFORMATION**

**grid**  
specify "G" for all grid ceiling types.

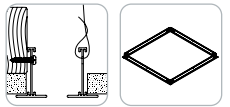


15/16" flat tee    9/16" flat tee




slot tee    node

**drywall frame kit**  
specify "DF" for flanged drywall ceilings.



Use tie-wire or screws to secure frame kit.    cut out dimensions:  
Min: 24.25"    Max: 24.563"

**flangeless hard surface**  
specify "XFN" for flangeless mounting.



Approx. 1/8" reveal. Gasket above prevents light leak.  
cut out dimensions:  
Min: 23.6875"    Max: 23.75"

**SPECIFICATIONS**

**LED System**

Proprietary linear LED module incorporates premium LEDs on a robust platform to achieve excellent thermal management. LEDs are placed to promote a uniform appearance. Available in 2700K, 3000K, 3500K, 4000K, 5000K, 5700K or 6500K with CRI>80. 0-10V dimming driver standard. Color accuracy <3 SDCM. Driver is replaceable from above.

**Construction**

One piece 20 Ga. steel reflector. Top access only to 20 Ga. steel driver compartment. Positional brackets supplied as standard. Weight: 25 lbs.

**Optic**

Concealed LEDs protected by acrylic covers indirectly illuminate white vaulted reflector.

**Electrical**

Standard 120-277V driver includes 0-10V analog dimming. Power factor > .9. Optional EcoSystem or forward phase dimming drivers from Lutron available.

**Emergency Battery**

Bodine BSL310-CAN. Emergency output—10 watts for 90 minutes. Maximum mounting height: 14ft. Housing height 6.30" for the following configurations: 1000L, 2000L, 2500L - All DALI & LZ1. 4000L & 4500L - D11 & L3D.

**Labels**

UL & cUL listed. Suitable for Dry or Damp Locations, indoor use only.

**Finish**

Polyester powder coat applied over a 5-stage pre-treatment.

**Lumen Maintenance**

Calculated: L90 at 80,000 hours    Reported: L90 at >60,000 hours  
(Derived from EPA TM-21 calculator per 10,000 hours of LED test data)

**Reliability**

At Focal Point, our products are designed to stand the test of time. Each luminaire is engineered using superior components, manufactured with the utmost care and rigorously tested. Contact us for reliability data.

**Warranty**

LED system rated for operation in ambient environments up to 25°C. 5 year limited warranty.

**PERFORMANCE CHART**

Delivered Lumens	Tested System Watts	LPW
1000	11	91
2000	21	95
2500	27	93
3000	34	88
3500	41	85
4000	49	82
4500	57	79

\* Based on 3500K. Lumen output may vary +/- 5%. Actual wattage may vary +/- 5%

Focal Point LLC reserves the right to change specifications for product improvement without notification.

**ORDERING**

Luminaire Series	FVAL	FVAL
Vault	FVAL	
<b>Nominal Size</b>		<b>22</b>
2' x 2'	22	
<b>Optic</b>		<b>CN</b>
Concealed Symmetrical Indirect LED	CN	
<b>Lumen Output</b>		
1000 Lumens	1000L	
<small>(Not available with LU5 or LH1 driver)</small>		
2000 Lumens	2000L	
2500 Lumens	2500L	
3000 Lumens	3000L	
3500 Lumens	3500L	
4000 Lumens	4000L	
4500 Lumens	4500L	
<b>Color Temperature</b>		
2700K*	27K	
3000K	30K	
3500K	35K	
4000K	40K	
5000K*	50K	
5700K*	57K	
6500K*	65K	
<small>(* longer lead time)</small>		
<b>Circuit</b>		<b>1C</b>
Single Circuit	1C	
<b>Voltage</b>		<b>UNV</b>
UNV 120/277 Volt	UNV	
<b>Driver</b>		
0-10V - 10% Dimming	LD1	
0-10V - 1% Dimming	L11	
0-10V - 0% Dimming	LZ1	
Lutron A-Series	L3D	
1% EcoSystem Digital		
<small>(Consult factory for 3-wire control)</small>		
Lutron H-Series - 1% Dimming	LH1	
Lutron 5-Series -	LU5	
5% EcoSystem Digital		
DALI - 10% Dimming	DD1	
DALI - 1% Dimming	D11	
DALI - 0% Dimming	DZ1	
Step Dimming	SD5	
<b>Mounting</b>		
Drywall Frame Kit	F	
<small>(Cut out dimensions: Min: 24.25"/Max: 24.563")</small>		
Grid	G	
Flangeless Hard Surface	XFN	
<small>(Cut out dimensions: Min: 23.6875"/Max: 23.75")</small>		
<b>Factory Options</b>		
Chicago Plenum	CP	
Emergency Battery Pack with Integral Test Switch	EM	
<small>(Housing height 6.30" for certain configurations. See Specification copy for details.)</small>		
6' New York City Flex Whip (120V)	FNY1	
6' New York City Flex Whip (277V)	FNY2	
6' Flex Whip	FW	
<b>Finish</b>		<b>WH</b>
Matte Satin White	WH	

\*For more information visit focalpointlights.com/reference or consult factory.

# Vault™ 2x2

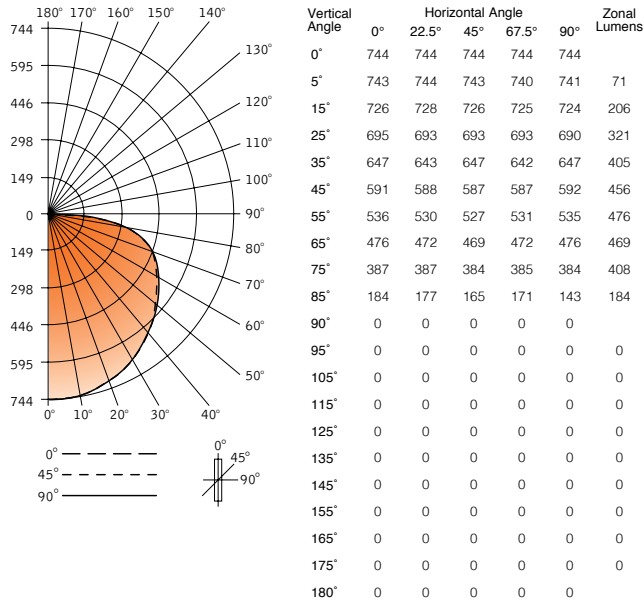
LED

## FVAL-22-CN-3000L-35K-120-LD1-G-WH

Filename: FVAL22CN3000L35K.IES  
 Test #: 19059.0

Lumens: 2995lm  
 System Watts: 33.8W  
 LPW: 88.6

### CANDELPWER DISTRIBUTION



### LUMEN SUMMARY

Zone	Lumens	% Fixture
0-30°	598	20.0
0-40°	1002	33.5
0-60°	1934	64.6
0-90°	2995	100.0
<b>Total Luminaire 0-180°</b>	<b>2995</b>	<b>100.0</b>

### LUMINANCE DATA (CD/M²)

Vertical Angle	Horizontal Angle		
	0°	45°	90°
45°	3040	3019	3045
55°	3400	3341	3393
65°	4098	4035	4098
75°	5440	5397	5397
85°	7689	6868	5961

Go to [www.focalpointlights.com](http://www.focalpointlights.com) for additional photometric data.