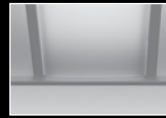
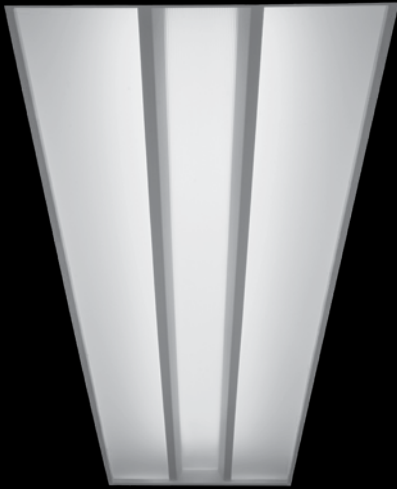


# Veer® 1x4

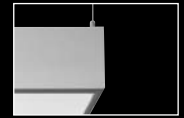
LED



flat diffuser

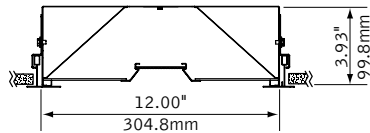


radial diffuser



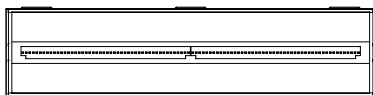
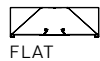
suspended or surface mount

## DIMENSIONAL DATA



Overall height for luminaire with Air Return is 4.58"

### shielding options



## FEATURES

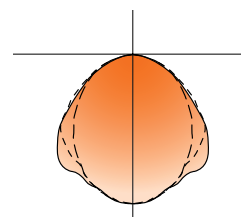
High efficacy architectural recessed LED luminaire.

Premium LEDs operate efficiently on a robust module platform to achieve excellent thermal management and reliable operation.

Three distinctive aesthetics offer contemporary styling, and complement architecture.

MicroGroove™ diffusers add texture and visual interest with a ribbed pattern that diffuses brightness and LED image.

## PERFORMANCE



### PRODUCT OVERVIEW

Lumen Output:	2500-4000lm
Wattage:	24-41W
LPW:	98-104
SDCM:	3
Lumen Maintenance:	L90 @ 114,000hrs

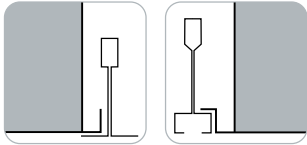
Regress Acrylic Diffuser  
**Delivered Lumens: 3000lm**  
**Total System Watts: 29W**

Photometric performance is measured in accordance with IESNA LM-79. Visit focalpointlights.com for complete photometric data.

**MOUNTING INFORMATION**

**grid**

specify "G" for flat 9/16" and 15/16" tee or "ST" for 9/16" slot tee grid types.

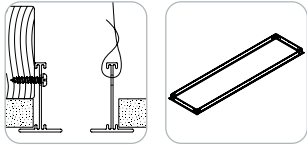


"G" flat tee  
Luminaires may be installed in T-bar ceiling systems up to 1 11/16" high\*.

"ST" slot tee

**drywall frame kit**

specify "DF" Drywall Frame Kit for drywall ceiling conditions.



Use tie-wire or screws to secure frame kit.

cut out dimensions:  
1': Min: 12.25"  
Max: 12.563"  
4': Min: 48.25"  
Max: 48.563"

**SPECIFICATIONS**

**LED Systems**

Proprietary linear LED module incorporates premium LEDs on a robust platform to achieve excellent thermal management. LEDs are placed to promote a uniform appearance. Available in 3000K, 3500K or 4000K with CRI>80, 3 SDCM. 0-10V dimming driver standard. LED modules and drivers are replaceable from below.

**Construction**

One piece 20 Ga. steel reflector and housing. 20 Ga. steel ends. Bottom access 20 Ga. Steel driver compartment. Positional brackets supplied as standard. Weight: 17 lbs.

**Optic**

20 Ga. steel reflectors finished in matte satin white powder coat. .095" thick frosted white acrylic lamp diffusers with linear micro-prism pattern.

**Electrical**

Standard 120-277V driver includes 0-10V analog dimming. Power factor > .9. Optional EcoSystem or forward phase dimming drivers from Lutron available.

**Emergency Battery**

Bodine BSL310-CAN. Emergency output—10 watts for 90 minutes.

**Labels**

UL and cUL listed. Suitable for Dry or Damp Locations, indoor use only.

**Finish**

Polyester powder coat applied over a 5-stage pre-treatment.

**Lumen Maintenance**

Calculated: L90 at 114,000 hours      Reported: L90 at >61,000 hours  
Derived from EPA TM-21 calculator

**Warranty**

LED system rated for operation in ambient environments up to 25°C. 5 year limited warranty.

**PERFORMANCE CHART**

Delivered Lumens		Tested System Watts	LPW
2500 Lumens	2500L	24	104
3000 Lumens	3000L	29	103
3500 Lumens	3500L	35	100
4000 Lumens	4000L	41	98

\*Lumen output may vary +/- 5%. Actual wattage may vary +/- 5%

**ORDERING**

<b>Luminaire Series</b>	<b>FVRL</b>	<b>FVRL</b>
Veer LED	FVRL	
<b>Nominal Size</b>		<b>14</b>
1' x 4'	14	
<b>Shielding</b>		
Radial Acrylic Diffuser	ACR	
Flat Acrylic Diffuser	ACF	
Regress Acrylic Diffuser	ACG	
<b>Lumen Output</b>		
2500 Lumens	2500L	
3000 Lumens	3000L	
3500 Lumens	3500L	
4000 Lumens	4000L	
<b>Color Temperature</b>		
3000K	30K	
3500K	35K	
4000K	40K	
<b>Circuits</b>		<b>1C</b>
Single Circuit	1C	
<b>Voltage</b>		
120 Volt	120	
277 Volt	277	
UNV Volt	UNV	
<small>(Cannot be specified with EM option)</small>		
<b>Driver</b>		
0-10V - 1% Dimming	L11	
0-10V - 10% Dimming	LD1	
Lutron A-Series	L3D	
1% EcoSystem Digital <small>(Consult factory for 3-wire control)</small>		
Lutron A-Series Forward Phase <small>(120 only)</small>	LTE	
Step Dimming	SD5	
DALI Dimming <small>(Consult factory)</small>		
<b>Mounting</b>		
24" Aircraft Cable	C24	
48" Aircraft Cable	C48	
96" Aircraft Cable	C96	
Drywall Frame Kit <small>(Cut out dimensions: Min: 12.25"/Max: 12.563" Min: 48.25"/Max: 48.563")</small>	F	
Grid	G	
Slot Tee	ST	
Surface Mount	SM	
<b>Factory Options</b>		
Air Return	AR	
Chicago Plenum	CP	
Emergency Battery Pack with Integral Test Switch	EM	
6' New York City Flex Whip	FNY	
6' Flex Whip <small>(Sensor options available - consult factory)</small>	FW	
<b>Finish</b>		<b>WH</b>
Matte Satin White	WH	



# Veer® 1x4

LED - REGRESS ACRYLIC DIFFUSER

FVRL-14-ACG-3000L-35K-1C-120-L11-G-WH

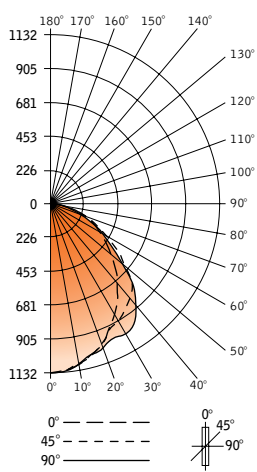
Lumens: 3019lm

Filename: FVRL14ACG3000L35K.IES

System Watts: 29W

LPW: 104

## CANDLEPOWER DISTRIBUTION



Vertical Angle	Horizontal Angle				
	0°	22.5°	45°	67.5°	90°
0°	1132	1132	1132	1132	1132
5°	1126	1125	1121	1123	1124
15°	1072	1070	1066	1068	1070
25°	969	969	987	1026	1047
35°	827	841	914	981	995
45°	662	697	776	786	779
55°	491	530	554	536	522
65°	324	339	337	317	308
75°	168	166	160	146	139
85°	41	35	33	31	30
90°	0	0	0	0	0
95°	0	0	0	0	0
105°	0	0	0	0	0
115°	0	0	0	0	0
125°	0	0	0	0	0
135°	0	0	0	0	0
145°	0	0	0	0	0
155°	0	0	0	0	0
165°	0	0	0	0	0
175°	0	0	0	0	0
180°	0	0	0	0	0

## LUMEN SUMMARY

Zone	Lumens	% Fixture
0-30°	869	28.8
0-40°	1437	47.6
0-60°	2486	82.4
0-90°	3019	100.0
<b>Total Luminaire 0-180°</b>	<b>3019</b>	<b>100.0</b>

## LUMINANCE DATA (CD/M²)

Vertical Angle	Horizontal Angle		
	0°	45°	90°
45°	2805	3291	3304
55°	2566	2895	2730
65°	2297	2392	2183
75°	1947	1857	1610
85°	1405	1137	1032

Go to [www.focalpointlights.com](http://www.focalpointlights.com) for additional photometric data.