

flat diffuser

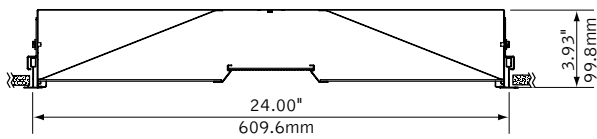


radial diffuser



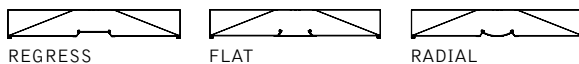
suspended or surface mount

DIMENSIONAL DATA

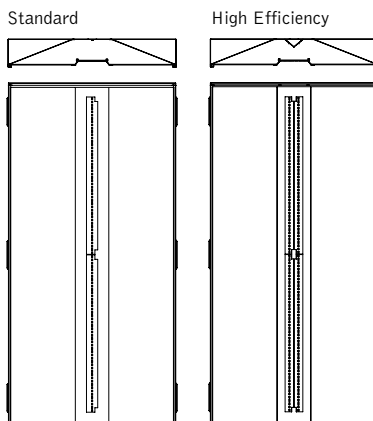


Overall height for luminaire with Air Return is 4.58"

shielding options



led options



FEATURES

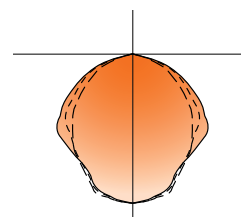
High efficacy architectural recessed LED luminaire.

Premium LEDs operate efficiently on a robust module platform to achieve excellent thermal management and reliable operation.

Three distinctive aesthetics offer contemporary styling, and complement architecture.

MicroGroove™ diffusers add texture and visual interest with a ribbed pattern that diffuses brightness and LED image.

PERFORMANCE



PRODUCT OVERVIEW

Lumen Output:	4000-6000lm
Wattage:	36-57W
LPW:	98-113
SDCM:	3
Lumen Maintenance:	L90 @ 114,000hrs

High Performance
5000 Lumens (5000LH)
Regress Acrylic Diffuser

Delivered Lumens: 5000lm
Total System Watts: 46W

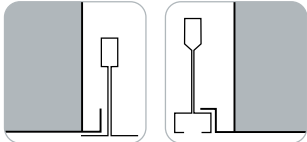


Photometric performance is measured in accordance with IESNA LM-79.
Visit focalpointlights.com for complete photometric data.

MOUNTING INFORMATION

grid

specify "G" for flat 9/16" and 15/16" tee or "ST" for 9/16" slot tee grid types.

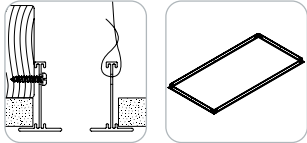


"G" flat tee
Luminaires may be installed in T-bar ceiling systems up to 1 11/16" high".

"ST" slot tee

drywall frame kit

specify "DF" Drywall Frame Kit for drywall ceiling conditions.



Use tie-wire or screws to secure frame kit.

cut out dimensions:
2': Min: 24.25"
Max: 24.563"
4': Min: 48.25"
Max: 48.563"

SPECIFICATIONS

LED System

Proprietary linear LED module incorporates premium LEDs on a robust platform to achieve excellent thermal management. LEDs are placed to promote a uniform appearance. Available in 3000K, 3500K or 4000K with CRI>80, 3 SDCM. 0-10V dimming driver standard. LED modules and drivers are replaceable from below.

Construction

One piece 20 Ga. steel reflector and housing. 20 Ga. steel ends. Bottom access 20 Ga. Steel driver compartment. Positional brackets supplied as standard. Weight: 25 lbs.

Optic

20 Ga. steel reflectors finished in matte satin white powder coat. .095" thick frosted white acrylic lamp diffusers with linear micro-prism pattern.

Electrical

Standard 120-277V driver includes 0-10V analog dimming. Power factor > .9. Optional EcoSystem or forward phase dimming drivers from Lutron available.

Emergency Battery

Bodine BSL310-CAN. Emergency output—10 watts for 90 minutes.

Labels

UL and cUL listed. Suitable for Dry or Damp Locations, indoor use only.

Finish

Polyester powder coat applied over a 5-stage pre-treatment.

Lumen Maintenance

Calculated: L90 at 114,000 hours Reported: L90 at >61,000 hours
Derived from EPA TM-21 calculator

Warranty

LED system rated for operation in ambient environments up to 25°C. 5 year limited warranty.

PERFORMANCE CHART

Delivered Lumens		Tested System Watts	LPW
4000 Lumens	4000L	38	105
	4000LH	36	111
4500 Lumens	4500L	44	102
	4500LH	40	113
5000 Lumens	5000L	50	100
	5000LH	46	109
5500 Lumens	5500L	56	98
	5500LH	51	108
6000 Lumens	6000LH	57	105

*Lumen output may vary +/- 5%. Actual wattage may vary +/- 5%

ORDERING

Luminaire Series	FVRL	FVRL
Veer LED	FVRL	
Nominal Size	24	24
2' x 4'	24	
Shielding		
Radial Acrylic Diffuser	ACR	
Flat Acrylic Diffuser	ACF	
Regress Acrylic Diffuser	ACG	
Lumen Output		
Standard		
4000 Lumens	4000L	
4500 Lumens	4500L	
5000 Lumens	5000L	
5500 Lumens	5500L	
High Efficiency		
4000 Lumens	4000LH	
4500 Lumens	4500LH	
5000 Lumens	5000LH	
5500 Lumens	5500LH	
6000 Lumens	6000LH	
Color Temperature		
3000K	30K	
3500K	35K	
4000K	40K	
Circuits		1C
Single Circuit	1C	
Voltage		
120 Volt	120	
277 Volt	277	
UNV Volt	UNV	
<small>(Cannot be specified with EM option)</small>		
Driver		
0-10V - 1% Dimming	L11	
0-10V - 10% Dimming	LD1	
Lutron A-Series	L3D	
1% EcoSystem Digital		
<small>(5000 Lumens and higher; (2) drivers supplied, (2) EcoSystem addresses consumed) (Consult factory for 3-wire control)</small>		
Lutron A-Series - Forward Phase	LTE	
<small>5000 Lumens and higher; (2) drivers supplied, (2) loads consumed (120 only)</small>		
Step Dimming	SD5	
DALI Dimming		
<small>(Consult factory)</small>		
Mounting		
24" Aircraft Cable	C24	
48" Aircraft Cable	C48	
96" Aircraft Cable	C96	
Drywall Frame Kit	F	
<small>(Cut out dimensions: Min: 12.25"/Max: 12.563" Min: 48.25"/Max: 48.563")</small>		
Grid	G	
Slot Tee	ST	
Surface Mount	SM	
Factory Options		
Air Return	AR	
<small>(Overall height with Air Return is 4.58")</small>		
Chicago Plenum	CP	
Emergency Battery Pack with Integral Test Switch	EM	
6' New York City Flex Whip	FNY	
6' Flex Whip	FW	
<small>(Sensor options available - consult factory)</small>		
Finish		WH
Matte Satin White	WH	

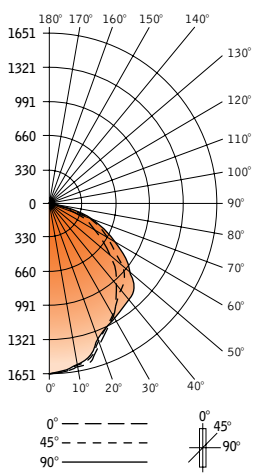


Veer® 2x4

LED - REGRESS ACRYLIC DIFFUSER

FVRL-24-ACG-5000LH-35K-1C-120-L11-G-WH Lumens: 5014lm
 Filename: FVRL24ACG5000LH35K.IES System Watts: 46W
 LPW: 109

CANDLEPOWER DISTRIBUTION



Vertical Angle	Horizontal Angle				
	0°	22.5°	45°	67.5°	90°
0°	1893	1893	1893	1893	1893
5°	1882	1883	1875	1875	1876
15°	1793	1787	1766	1753	1748
25°	1622	1607	1581	1575	1576
35°	1377	1369	1380	1424	1446
45°	1093	1106	1175	1257	1282
55°	808	839	922	986	1008
65°	530	553	614	660	672
75°	272	277	311	332	338
85°	64	60	62	63	62
90°	0	0	0	0	0
95°	0	0	0	0	0
105°	0	0	0	0	0
115°	0	0	0	0	0
125°	0	0	0	0	0
135°	0	0	0	0	0
145°	0	0	0	0	0
155°	0	0	0	0	0
165°	0	0	0	0	0
175°	0	0	0	0	0
180°	0	0	0	0	0

LUMEN SUMMARY

Zone	Lumens	% Fixture
0-30°	1410	28.1
0-40°	2284	45.5
0-60°	4009	80
0-90°	5014	100.0
Total Luminaire 0-180°	5014	100.0

LUMINANCE DATA (CD/M²)

Vertical Angle	0°	45°	90°
45°	2244	2411	2631
55°	2045	2332	2550
65°	1819	2107	2308
75°	1527	1743	1895
85°	1057	1027	1040

Go to www.focalpointlights.com for additional photometric data.