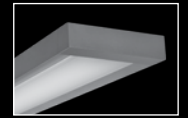


flat diffuser

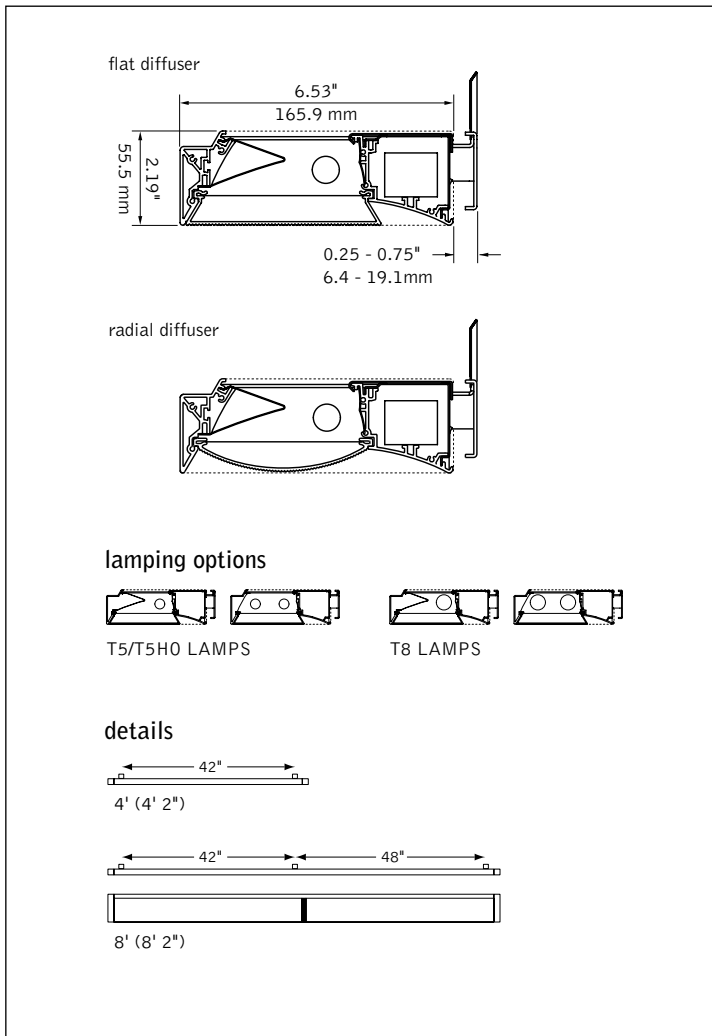


radial diffuser



linear companion

DIMENSIONAL DATA



FEATURES

Wall mounted 4' & 8' direct/indirect fluorescent with flat or radial acrylic diffuser.

MicroGroove™ diffusers add texture and visual interest with a ribbed pattern that minimizes lamp image.

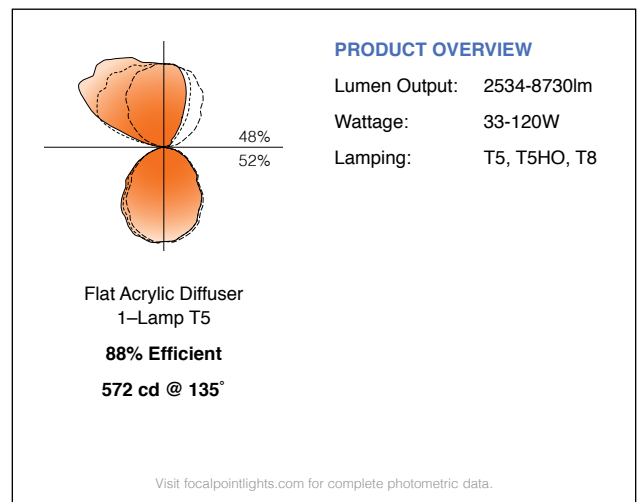
Optional DR optics deliver light where you need it. Increased direct illumination can benefit spaces with ceilings from low to high.

Extruded aluminum housing with die-cast end caps.

Internal Debris Shield keeps diffusers looking clean over the life of the project.

Veer® wall mount is an excellent choice for office spaces, labs and educational facilities.

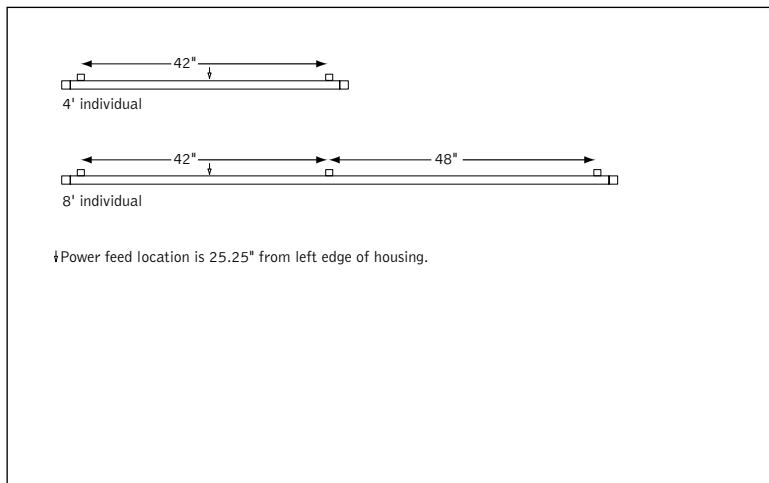
PERFORMANCE



fixture:

project:

DETAILS



SPECIFICATIONS

Construction

Two-piece, .060" thick 6063-T5 extruded aluminium housing. Die-cast aluminum end caps and bulkhead. All luminaires are provided with mounting brackets. 4' unit weight: 12 lbs., 8' unit weight: 22 lbs.

Optic

.095" thick frosted white MicroGroove acrylic diffusers with ribbed linear pattern. Clear acrylic internal debris shield supplied as standard. Optional Downlight Reflector optics fabricated of die-formed aluminum.

Electrical

Luminaires are pre-wired with factory installed branch circuit wiring and over-molded quick connects. Electronic ballasts are thermally protected and have a Class "P" rating. Optional dimming ballasts available.

Labels

UL and cUL listed.

Finish

Polyester powder coat applied over a 5-stage pre-treatment.

ORDERING

Fixture Series		FVRW
Veer		FVRW
Shielding		
Flat MicroGroove Acrylic Diffuser		ACF
Radial MicroGroove Acrylic Diffuser		ACR
Optional Downlight Accessories*		
100% downlight		DR0
Up to 90% downlight		DR1
Up to 85% downlight		DR2
Up to 70% downlight		DR4
Lamping		
1 Lamp T5		1T5
2 Lamp T5		2T5
1 Lamp T5HO		1T5HO
2 Lamp T5HO		2T5HO
1 Lamp T8		1T8
2 Lamp T8		2T8
Circuits		
Single Circuit		1C
Dual Circuit		2C
<small>(Multiple lamp luminaires only)</small>		
Voltage		
120 Volt		120
277 Volt		277
347 Volt		347
<small>(Consult factory for dimming options)</small>		
UNV Volt		UNV
<small>(Cannot be specified with 1T5HO dimming or EM option)</small>		
Ballast		
<small>(Consult factory for dimming limitations)</small>		
Electronic Program Start <10% THD		S
0-10V		D7
Lutron 1% 3-wire		DH
Lutron 1% H-Series		DK
Mounting		
Wall Mount		WM
Factory Options		
Concealed Dust Cover		DC
Emergency Circuit*		EC
Emergency Battery Pack*		EM
HLR/GLR Fuse		FU
Include 3000K Lamp*		L830
Include 3500K Lamp*		L835
Include 4100K Lamp*		L841
<small>(Sensor options available—consult factory)</small>		
Finish		
Matte Satin White		WH
Titanium Silver		TS
Luminaire Length		
<small>(Row mount not available)</small>		
4' individual		4'
8' individual		8'



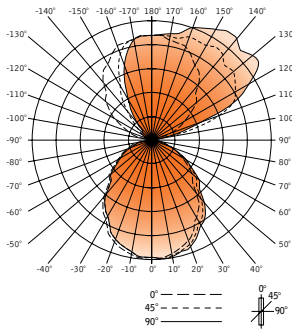
FLUORESCENT - RADIAL ACRYLIC DIFFUSER

FVRW-ACR-1T5-1C-120-S-WH-4

Filename: FVRWACR1T5.IES
Test #: 16310.0

Efficiency 88.2%

CANDLEPOWER DISTRIBUTION



Vertical Angle	Horizontal Angle					Zonal Lumens
	0°	22.5°	45°	67.5°	90°	
0°	531	531	531	531	531	
5°	541	539	535	529	529	51
15°	523	518	508	494	494	143
25°	489	479	458	439	442	513
35°	430	412	382	365	370	245
45°	316	299	267	258	264	216
55°	235	226	202	199	202	190
65°	138	138	126	132	139	133
75°	69	66	61	78	86	76
85°	19	16	7	19	26	20
90°	3	3	1	3	3	
95°	15	30	6	7	10	20
105°	130	212	69	18	13	104
115°	436	416	150	36	36	200
125°	595	465	32	49	44	243
135°	572	473	289	113	52	229
145°	598	510	378	238	155	238
155°	555	495	424	352	284	198
165°	500	475	452	445	408	129
175°	478	473	472	472	469	45
180°	469	469	469	469	469	

LUMEN SUMMARY

Zone	Lumens	% Lamp	% Fixture
0-30°	407	13.3	15.1
0-40°	1285	42.1	47.8
0-60°	566	18.6	21.0
0-90°	1405	46.1	52.2
Total Luminaire 0-180°	2690	88.2	100.0

CO-EFFICIENTS OF UTILIZATION

Floor Ceiling Wall	80				70			20		30		10		00
	70	50	30	10	70	50	10	50	10	50	10	50	10	00
RCR 0	94	94	94	94	86	86	86	72	72	60	60	48	48	42
1	86	83	79	76	79	76	71	64	60	53	50	43	41	36
2	79	73	67	63	72	67	59	57	51	47	43	39	35	31
3	72	64	58	53	66	60	50	51	43	42	37	34	31	27
4	66	57	50	45	61	53	43	45	37	38	32	31	27	24
5	61	51	44	39	56	47	36	40	32	34	28	28	23	20
6	56	46	39	34	51	42	32	36	28	31	24	25	20	18
7	52	41	34	30	48	38	28	33	25	28	21	23	18	16
8	48	37	31	26	44	35	24	30	22	25	19	21	16	14
9	44	34	27	23	41	31	22	27	19	23	16	19	14	12
10	41	31	25	20	38	29	19	25	17	21	15	17	12	11

Numbers indicate percentage values of reflectivity.

Go to www.focalpointlights.com for additional photometric data.



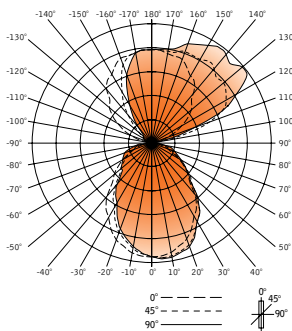
FLUORESCENT - FLAT ACRYLIC DIFFUSER

FVRW-ACF-1T5-1C-120-S-WH-4

Filename: FVRWACF1T5.IES
Test #: 16309.0

Efficiency 87.9%

CANDLEPOWER DISTRIBUTION



Vertical Angle	Horizontal Angle					Zonal Lumens
	0°	22.5°	45°	67.5°	90°	
0°	573	573	573	573	573	
5°	587	582	572	561	556	55
15°	572	566	540	508	495	152
25°	521	516	481	432	410	219
35°	427	430	401	336	313	241
45°	286	296	275	222	209	200
55°	209	212	202	167	179	174
65°	150	135	124	118	150	132
75°	107	86	61	83	113	90
85°	39	33	15	21	33	28
90°	6	3	0	3	3	
95°	15	29	6	7	10	20
105°	129	210	69	18	13	102
115°	430	412	150	33	36	196
125°	595	462	235	49	44	242
135°	564	467	292	113	52	226
145°	588	502	38	239	152	235
155°	547	487	425	352	284	196
165°	491	468	452	445	405	128
175°	473	472	469	469	469	44.9
180°	468	468	468	468	468	

LUMEN SUMMARY

Zone	Lumens	% Lamp	% Fixture
0-30°	426	14.0	15.9
0-40°	1291	42.3	48.2
0-60°	559	18.3	20.9
0-90°	1389	45.5	51.8
Total Luminaire 0-180°	2680	87.9	100.0

CO-EFFICIENTS OF UTILIZATION

Floor Ceiling Wall	80				70			20		30		10		00
	70	50	30	10	70	50	10	50	10	50	10	50	10	00
RCR 0	94	94	94	94	86	86	86	72	72	60	60	48	48	42
1	86	82	79	76	79	76	70	64	60	53	50	43	41	36
2	79	72	67	63	72	67	58	56	50	47	43	38	35	31
3	72	64	58	53	66	59	49	50	43	42	37	34	31	27
4	66	57	50	45	61	53	42	45	37	38	32	31	27	24
5	61	51	44	39	56	47	36	40	32	34	28	28	23	20
6	56	46	39	34	51	42	32	36	28	31	24	25	21	18
7	52	41	34	30	48	38	28	33	25	23	21	23	18	16
8	48	37	31	26	44	35	25	30	22	25	19	21	16	14
9	44	34	27	23	41	32	22	27	19	23	17	19	14	12
10	41	31	25	21	38	29	19	25	17	21	15	17	13	11

Numbers indicate percentage values of reflectivity.

Go to www.focalpointlights.com for additional photometric data.

note: Photometric testing performed in an independent lab with standard lamps and ballasts. Lamp and ballast type and configuration will affect photometric performance.