

# VEER LINEAR WALL MOUNT-FVRW

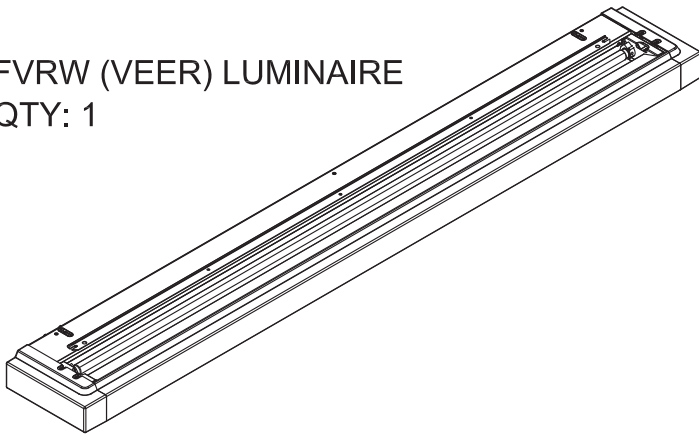
## SAFETY AND INSTALLATION INSTRUCTIONS

FIXTURES MUST BE INSTALLED BY A QUALIFIED ELECTRICIAN (CHECK WITH LOCAL AND NATIONAL CODES FOR PROPER INSTALLATION). TO PREVENT ELECTRICAL SHOCK, DISCONNECT ELECTRICAL SUPPLY BEFORE INSTALLATION OR SERVICING.

1. READ ALL INSTRUCTIONS PRIOR TO INSTALLATION.
2. DISCONNECT ELECTRICAL POWER BEFORE SERVICING LUMINAIRES.
3. SINGLE GANG OUTLET DEVICE COVER TO BE USED (HORIZONTALLY MOUNTED).
4. REMOVE PLASTIC SLEEVE AFTER INSTALLATION IS COMPLETE.
5. TO AVOID DAMAGE, KEEP LUMINAIRE IN ORIGINAL CARTON.
6. DO NOT PLACE HEAVY OBJECTS ON CARTON.

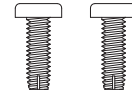
### UNIT DESCRIPTION

FVRW (VEER) LUMINAIRE  
QTY: 1

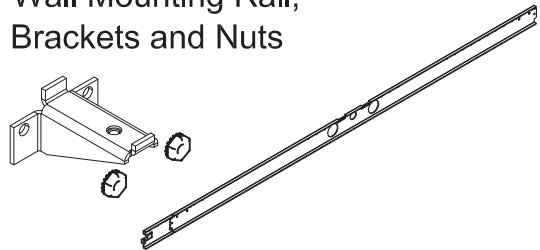


### SUPPLIED BY FOCAL POINT

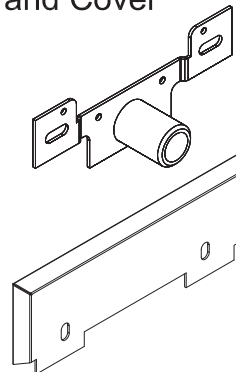
#10 X 1/2" Pan  
Head Screws



Wall Mounting Rail,  
Brackets and Nuts



"J" Box Adapter  
Plate and Cover



**WHEN USING HOLLOW WALL ANCHORS (BY OTHERS) IN GYPSUM WALLBOARD, FOCAL POINT STRONGLY RECOMMENDS THE ADDITION OF WALL REINFORCEMENT AT THE BRACKET MOUNTING POINTS.**

CONTRACTOR IS RESPONSIBLE FOR ADEQUATELY REINFORCING WALLS AND/OR CEILINGS TO SUPPORT FIXTURE WEIGHT. FOCAL POINT, L.L.C. ACCEPTS NO RESPONSIBILITY FOR INADEQUATELY REINFORCED WALLS AND/OR CEILINGS.

THE INFORMATION CONTAINED IN THIS DRAWING IS THE SOLE PROPERTY OF FOCAL POINT LLC. ANY REPRODUCTION IN PART OR WHOLE WITHOUT THE WRITTEN PERMISSION OF FOCAL POINT LLC IS PROHIBITED. 2013 © FOCAL POINT LLC



FOCAL POINT

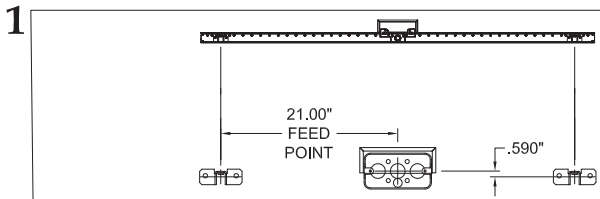
INSTALLATION GUIDE NO.

IS0355

DWG. NO.

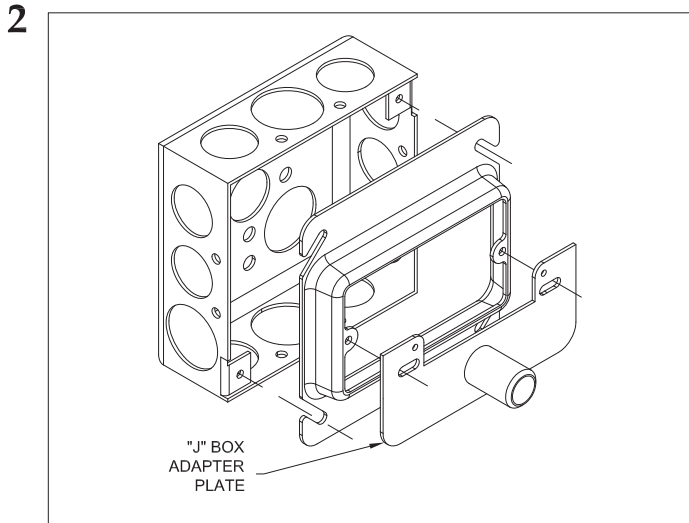
REV. C

# INSTALLATION GUIDE

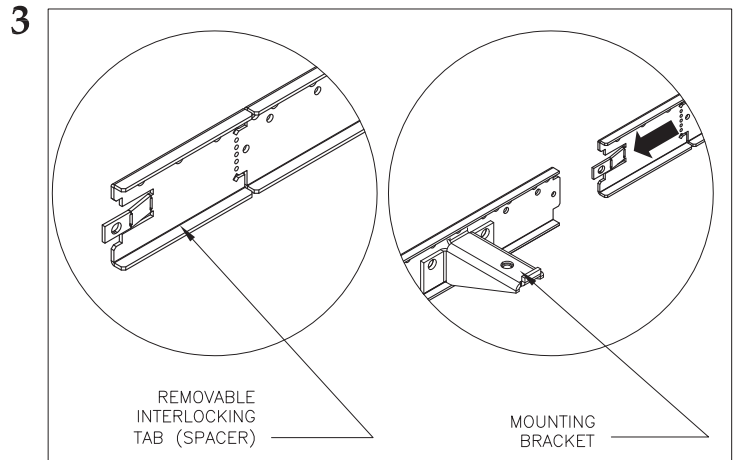


LENGTH	WALL RAILS REQUIRED
4 FT LUMINAIRE	1 PIECE
8 FT LUMINAIRE	2 PIECES

ALL LUMINAIRE RAILS ARE 4FT LONG

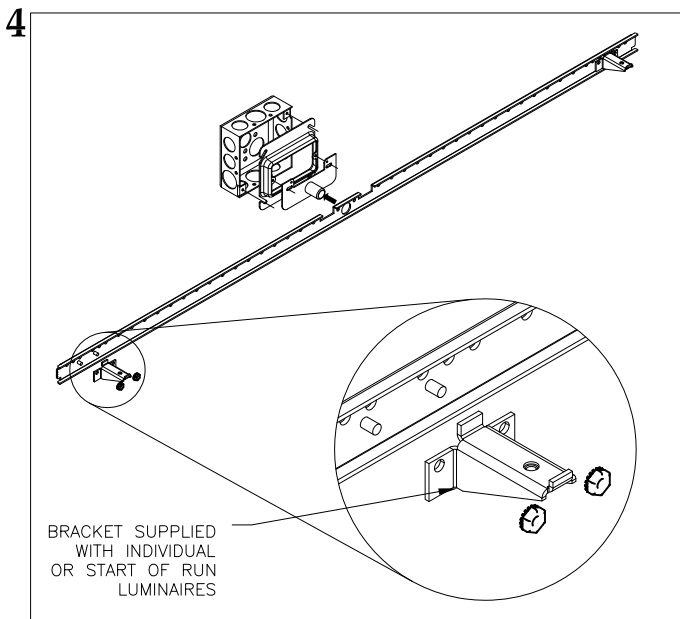


LOCATE FEED POINT OF LUMINAIRE, FASTEN "J" BOX ADAPTER PLATE. SEE CHART ABOVE (DIMENSION GIVEN FROM CENTER OF MOUNTING BRACKET TO CENTER OF "J" BOX). DIMENSION FROM EDGE OF LUMINAIRE TO CENTER OF "J" BOX IS 25.250".

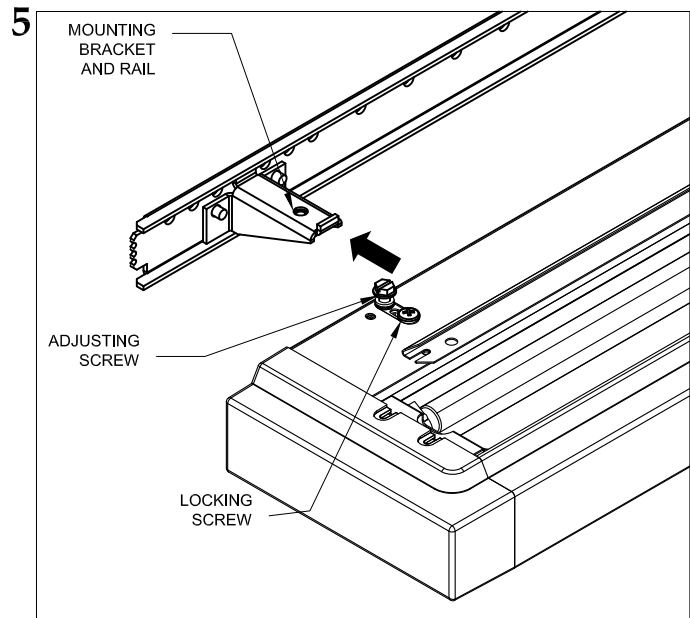


INTERLOCKING TAB OF INDIVIDUAL OR START MUST BE CUT OFF.

MOUNTING RAILS ARE SUPPLIED WITH ONE MOUNTING BRACKET PRE INSTALLED. INDIVIDUAL OR START RAILS ARE SUPPLIED WITH ONE EXTRA MOUNTING BRACKET WHICH IS TO BE MOUNTED TO FAR LEFT SIDE OF RAIL BY INSTALLER AS SHOWN IN STEP 4.

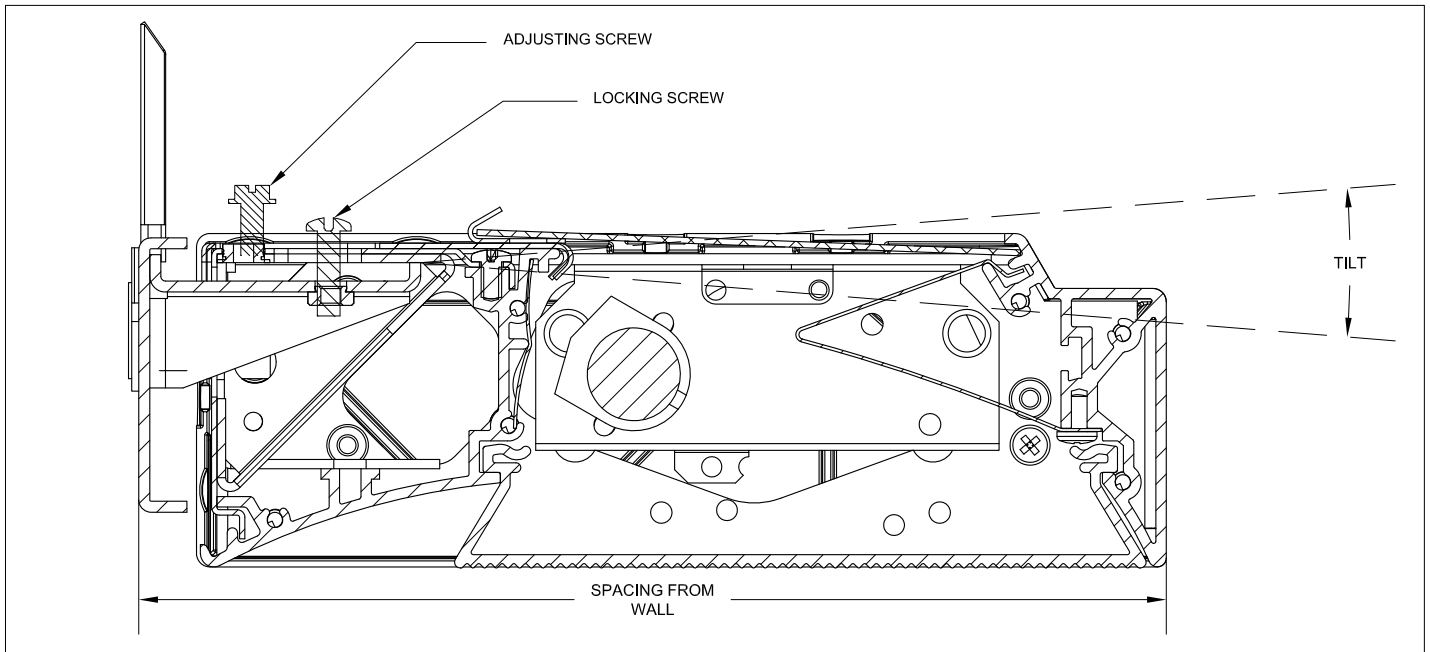


POSITION RAIL OVER "J" BOX ADAPTER PLATE AND ATTACH SECURELY TO WALL USING EXISTING MOUNTING HOLES, ATTACH LEFT SIDE MOUNTING BRACKET TO RAIL WITH NUTS SUPPLIED.



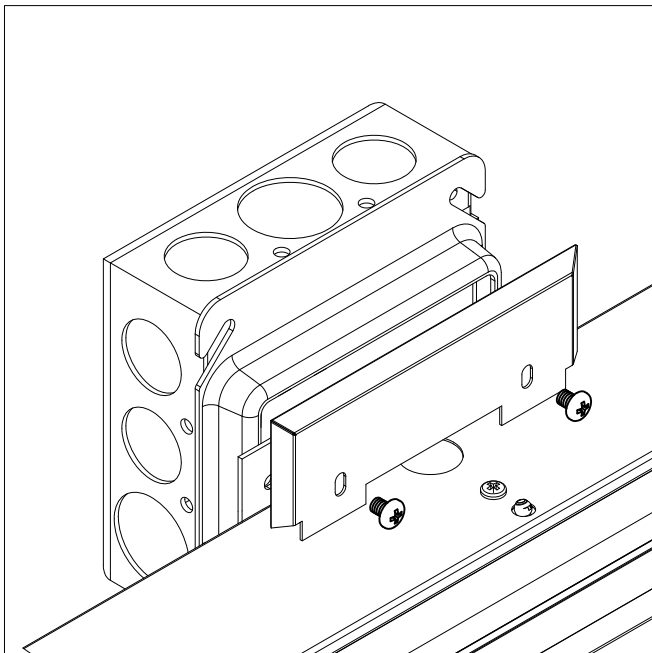
POSITION LUMINAIRE OVER MOUNTING BRACKET, INSTALL LOCKING SCREWS (DO NOT TIGHTEN) TO TEMPORARILY SECURE LUMINAIRE, INSTALL ADJUSTING SCREW (DO NOT TIGHTEN).

6



ADJUST LUMINAIRE TILT AND SPACING FROM WALL AS NEEDED AND TIGHTEN LOCKING SCREW.

7



MAKE ELECTRICAL CONNECTIONS. INSTALL "J" BOX COVER PLATE AND FASTEN.