

flat diffuser



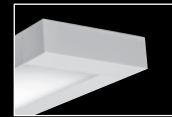
radial diffuser



suspended or surface mount

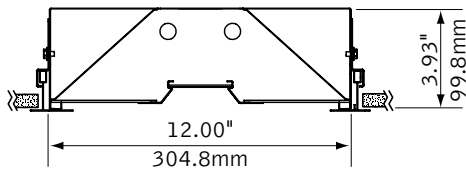


linear companion



wall mount companion

DIMENSIONAL DATA

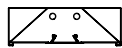


Overall height for luminaire with Air Return is 4.58"

shielding options



regress



flat



radial

lamping



T5/T5HO Lamps



T8 Lamps

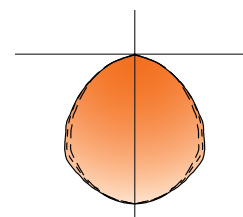
FEATURES

High efficiency architectural recessed fluorescent luminaire.

Three distinctive aesthetics offer contemporary styling, and complement architecture.

MicroGroove™ diffusers add texture and visual interest with a ribbed pattern that minimizes lamp image.

PERFORMANCE



Regress Acrylic Diffuser
1-lamp T5

85.3% Efficient

956 cd @ 0°

PRODUCT OVERVIEW

Lumen Output: 2473-7790lm

Wattage: 33-120W

Lamping: T5, T5HO, T8

Visit focalpointlights.com for complete photometric data.

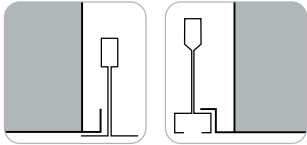
fixture:

project:

SUSPENSION INFORMATION

grid

specify "G" for flat 9/16" and 15/16" tee or "ST" for 9/16" slot tee grid types.

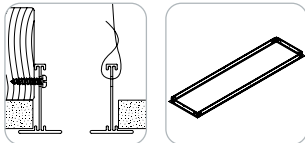


"G" flat tee
Luminaires may be installed in T-bar ceiling systems up to 1 11/16" high*.

"ST" slot tee

drywall frame kit

specify "DF" Drywall Frame Kit for drywall ceiling conditions.



Use tie-wire or screws to secure frame kit.

cut out dimensions:
1': Min: 12.25" Max: 12.563"
4': Min: 48.25" Max: 48.563"

SPECIFICATIONS

Construction

One piece 20 Ga. steel reflector and housing. 20 Ga. steel ends. Positional brackets supplied as standard. Weight: 25 lbs.

Optic

20 Ga. steel reflectors finished in matte satin white powder coat. .095" thick frosted white acrylic diffusers with linear MicroGroove™ pattern.

Electrical

Electronic ballasts are thermally protected and have a Class "P" rating. Consult factory for dimming specifications and availability.

Labels

UL and cUL listed.

Finish

Polyester powder coat applied over a 5-stage pre-treatment. Optional Matte Satin White with anti-microbial coating provides 99.99% protection against a broad spectrum of micro-organisms.

ORDERING

Luminaire Series		FVR
Veer	FVR	
Nominal Size		14
1' x 4'	14	
Shielding		
Radial Acrylic Diffuser	ACR	
Flat Acrylic Diffuser	ACF	
Regress Acrylic Diffuser	ACG	
Lamp Quantity		
One Lamp	1	
Two Lamp	2	
Lamp Type		
T5	T5	
T5HO	T5HO	
T8	T8	
Circuit		
Single Circuit	1C	
Dual Circuit	2C	
Voltage		
120 Volt	120	
277 Volt	277	
347 Volt	347	
<small>(Consult factory for dimming options)</small>		
UNV Volt	UNV	
<small>(Cannot be specified with 1-lamp T5HO dimming or EM option)</small>		
Ballast		
Electronic Program Start <10% THD	S	
0-10V	D7	
Lutron 1% 3-wire	DH	
Lutron 1% H-Series	DK	
Mounting		
24" Aircraft Cable	C24	
48" Aircraft Cable	C48	
96" Aircraft Cable	C96	
Drywall Frame Kit	DF	
<small>(Cut out dimensions: Min: 12.25"/Max: 12.563" Min: 48.25"/Max: 48.563")</small>		
Grid	G	
Slot Tee	ST	
Surface Mount	SM	
Factory Options		
Air Return	AR	
Chicago Plenum	CP	
Emergency Battery Pack*	EM	
HLR/GLR Fuse	FU	
6' New York City Flex Whip	FNY	
6' Flex Whip	FW	
Include 3000K Lamp*	L830	
Include 3500K Lamp*	L835	
Include 4100K Lamp*	L841	
Finish		
Matte Satin White	WH	
Matte Satin White with Anti-Microbial Coating	WHA	

Veer® 1x4

FLUORESCENT - REGRESS ACRYLIC DIFFUSER

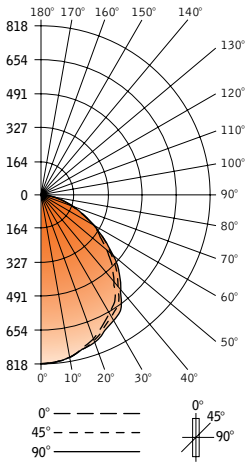
FVR-14-ACG-1-T5-120-G-WH

Filename: FVR141T5ACG.IES

Test #: 16775.0

Efficiency 85%

CANDLEPOWER DISTRIBUTION



Vertical Angle	Horizontal Angle					Zonal Lumens
	0°	22.5°	45°	67.5°	90°	
0°	956	956	956	956	956	
5°	952	950	949	949	947	91
15°	899	899	902	905	907	256
25°	823	825	838	851	855	388
35°	728	738	762	783	788	478
45°	570	585	610	618	622	466
55°	407	419	430	433	433	382
65°	262	265	265	265	262	262
75°	130	125	120	111	103	125
85°	33	25	24	20	20	26
90°	0	0	0	0	0	0
95°	0	0	0	0	0	0
105°	0	0	0	0	0	0
115°	0	0	0	0	0	0
125°	0	0	0	0	0	0
135°	0	0	0	0	0	0
145°	0	0	0	0	0	0
155°	0	0	0	0	0	0
165°	0	0	0	0	0	0
175°	0	0	0	0	0	0
180°	0	0	0	0	0	0

LUMEN SUMMARY

Zone	Lumens	% Lamp	% Fixture
0-30°	734	25.3	29.7
0-40°	1212	41.8	49.0
0-60°	2060	71.0	83.3
0-90°	2473	853	100.0
Total Luminaire 0-180°	2473	853	100.0

LUMINANCE DATA (CD/M²)

Vertical Angle	0°	45°	90°
45°	2467	2640	2692
55°	2172	2294	2310
65°	1897	1919	1897
75°	1537	1419	1218
85°	1159	843	702

CO-EFFICIENTS OF UTILIZATION

Floor Ceiling Wall	80				70			20 50		30		10		00
	70	50	30	10	70	50	10	50	10	50	10	50	10	00
RCR 0	102	102	102	102	99	99	99	95	95	91	91	87	87	85
1	94	91	87	84	92	89	83	85	81	82	78	79	76	74
2	87	80	75	71	84	79	70	76	68	73	67	71	65	64
3	80	72	65	60	78	70	60	68	59	66	58	64	57	55
4	73	64	57	52	72	63	52	61	51	59	50	57	50	48
5	67	57	50	44	65	56	44	54	44	52	43	51	43	41
6	62	51	44	39	60	50	38	49	38	47	38	46	37	36
7	57	46	39	34	56	45	34	44	33	43	33	42	33	31
8	53	41	34	29	51	41	29	39	29	38	29	37	29	27
9	48	37	30	25	47	36	25	35	25	34	25	34	25	23
10	45	34	27	22	44	33	22	32	22	31	22	31	22	20

Numbers indicate percentage values of reflectivity.

Go to www.focalpointlights.com for additional photometric data.

Veer® 1x4

FLUORESCENT - REGRESS ACRYLIC DIFFUSER

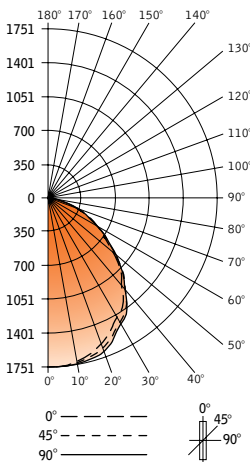
VR-14-ACG-2-T5-120-G-WH

Filename: FVR142T5ACG.IES

Test #: 16776.0

Efficiency 78%

CANDLEPOWER DISTRIBUTION



Vertical Angle	Horizontal Angle					Zonal Lumens
	0°	22.5°	45°	67.5°	90°	
0°	1744	1744	1744	1744	1744	
5°	1743	1743	1746	1749	1751	167
15°	1671	1679	1698	1717	1724	481
25°	1526	1544	1580	1603	1611	729
35°	1358	1383	1418	1428	1426	883
45°	1068	1094	1108	1089	1078	845
55°	763	774	758	737	728	676
65°	489	488	466	453	445	465
75°	241	230	213	192	182	224
85°	62	47	41	39	38	48
90°	0	0	0	0	0	0
95°	0	0	0	0	0	0
105°	0	0	0	0	0	0
115°	0	0	0	0	0	0
125°	0	0	0	0	0	0
135°	0	0	0	0	0	0
145°	0	0	0	0	0	0
155°	0	0	0	0	0	0
165°	0	0	0	0	0	0
175°	0	0	0	0	0	0
180°	0	0	0	0	0	0

LUMEN SUMMARY

Zone	Lumens	% Lamp	% Fixture
0-30°	1376	23.7	30.5
0-40°	2259	39.0	50.0
0-60°	3780	65.2	83.7
0-90°	4517	77.9	100.0
Total Luminaire 0-180°	4517	77.9	100.0

LUMINANCE DATA (CD/M²)

Vertical Angle	0°	45°	90°
45°	4623	4796	4666
55°	4071	4045	3885
65°	3541	3375	3223
75°	2850	2519	2152
85°	2177	1440	1334

CO-EFFICIENTS OF UTILIZATION

Floor Ceiling Wall	80				70			20 50		30		10		00
	70	50	30	10	70	50	10	50	10	50	10	50	10	00
RCR 0	93	93	93	93	91	91	91	87	87	83	83	79	79	78
1	86	83	80	77	84	81	76	78	74	75	71	72	69	68
2	79	74	69	65	77	71	64	69	63	67	61	65	60	58
3	73	66	60	55	71	65	55	62	54	60	53	58	52	51
4	67	59	52	48	66	58	47	56	47	54	46	52	46	44
5	62	52	46	41	60	51	41	50	40	48	40	47	39	38
6	57	47	40	36	55	46	35	45	35	44	35	42	35	33
7	52	42	36	31	51	42	31	40	31	39	31	38	30	29
8	48	38	32	27	47	37	27	36	27	35	27	34	26	25
9	44	34	28	23	43	34	23	33	23	32	23	31	23	22
10	41	31	25	21	40	31	21	30	21	29	21	28	20	19

Numbers indicate percentage values of reflectivity.

Go to www.focalpointlights.com for additional photometric data.