

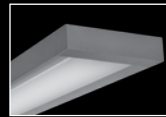
flat diffuser



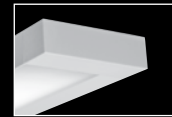
radial diffuser



suspended or
surface mount

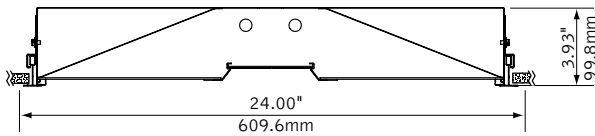


linear companion



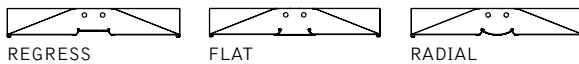
wall mount
companion

DIMENSIONAL DATA

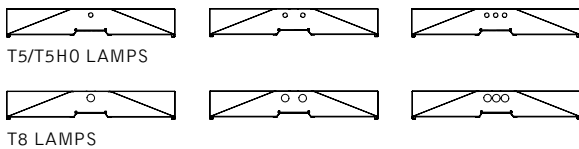


Overall height for luminaire with Air Return is 4.58"

shielding options



lamping



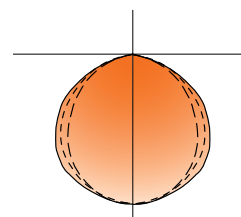
FEATURES

High efficiency architectural recessed fluorescent luminaire.

Three distinctive aesthetics offer contemporary styling, and complement architecture.

MicroGroove™ diffusers add texture and visual interest with a ribbed pattern that minimizes lamp image.

PERFORMANCE



Regress Acrylic Diffuser
2-lamp T5

84.9% Efficient

774 cd @ 5°

PRODUCT OVERVIEW

Lumen Output: 1018-3396lm
Wattage: 16-51W
Lamping: T5, T5HO, T8

Visit focalpointlights.com for complete photometric data.

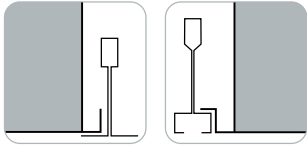
fixture:

project:

SUSPENSION INFORMATION

grid

specify "G" for flat 9/16" and 15/16" tee or "ST" for 9/16" slot tee grid types.

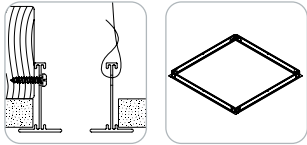


"G" flat tee
Luminaires may be installed in T-bar ceiling systems up to 1 11/16" high*.

"ST" slot tee

drywall frame kit

specify "DF" Drywall Frame Kit for drywall ceiling conditions.



Use tie-wire or screws to secure frame kit.

cut out dimensions:
2': Min: 24.25"
Max: 24.563"

SPECIFICATIONS

Construction

One piece 20 Ga. steel reflector and housing. 20 Ga. steel ends. Positional brackets supplied as standard. Weight: 17 lbs.

Optic

20 Ga. steel reflectors finished in matte satin white powder coat. .095" thick frosted white acrylic diffusers with linear MicroGroove™ pattern.

Electrical

Electronic ballasts are thermally protected and have a Class "P" rating. Optional dimming ballasts available. Consult factory for dimming specifications and availability.

Labels

UL and cUL listed.

Finish

Polyester powder coat applied over a 5-stage pre-treatment. Optional Matte Satin White with anti-microbial coating provides 99.99% protection against a broad spectrum of micro-organisms.

ORDERING

Luminaire Series	FVR	FVR
Veer	FVR	
Nominal Size		22
2' x 2'	22	
Shielding		
Radial Acrylic Diffuser	ACR	
Flat Acrylic Diffuser	ACF	
Regress Acrylic Diffuser	ACG	
Lamp Quantity		
One Lamp	1	
Two Lamp	2	
Three Lamp	3	
<small>(T5/T5HO & T8 only)</small>		
Lamp Type		
T5	T5	
T5HO	T5HO	
T8	T8	
Circuit		
Single Circuit	1C	
Dual Circuit	2C	
Voltage		
120 Volt	120	
277 Volt	277	
UNV Volt	UNV	
<small>(Cannot be specified with 1-lamp T5HO dimming or EM option)</small>		
Ballast		
Electronic Program Start <10% THD	S	
0-10V	D7	
Lutron 1% 3-wire	DH	
Lutron 1% H-Series	DK	
Mounting		
24" Aircraft Cable	C24	
48" Aircraft Cable	C48	
96" Aircraft Cable	C96	
Drywall Frame Kit	DF	
<small>(Cut out dimensions: Min: 24.25"/Max: 24.563")</small>		
Grid	G	
Slot Tee	ST	
Surface Mount	SM	
Factory Options		
Air Return	AR	
<small>(Overall height with Air Return is 4.58")</small>		
Chicago Plenum	CP	
Emergency Battery Pack*	EM	
HLR/GLR Fuse	FU	
6' New York City Flex Whip	FNY	
6' Flex Whip	FW	
Include 3000K Lamp*	L830	
Include 3500K Lamp*	L835	
Include 4100K Lamp*	L841	
Finish		
Matte Satin White	WH	
Matte Satin White with Anti-Microbial Coating	WHA	

Veer® 2x2

FLUORESCENT - REGRESS ACRYLIC DIFFUSER

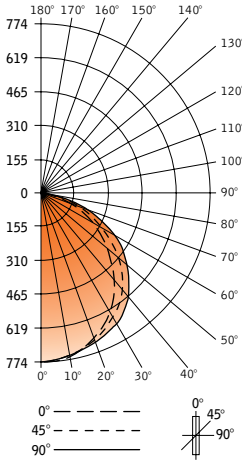
FVR-22-ACG-2-T5-120-G-WH

Filename: FVR222T5ACG.IES

Test #: 16777.0

Efficiency 85%

CANDLEPOWER DISTRIBUTION



Vertical Angle	Horizontal Angle					Zonal Lumens
	0°	22.5°	45°	67.5°	90°	
0°	769	769	769	769	769	769
5°	774	769	765	765	765	73
15°	735	737	737	739	742	209
25°	671	671	691	705	710	319
35°	577	589	622	649	663	390
45°	463	482	529	554	568	403
55°	336	357	401	438	464	358
65°	217	226	262	298	313	261
75°	106	103	129	138	147	131
85°	22	18	23	18	21	22
90°	0	0	0	0	0	0
95°	0	0	0	0	0	0
105°	0	0	0	0	0	0
115°	0	0	0	0	0	0
125°	0	0	0	0	0	0
135°	0	0	0	0	0	0
145°	0	0	0	0	0	0
155°	0	0	0	0	0	0
165°	0	0	0	0	0	0
175°	0	0	0	0	0	0
180°	0	0	0	0	0	0

LUMEN SUMMARY

Zone	Lumens	% Lamp	% Fixture
0-30°	601	23.6	27.8
0-40°	991	38.9	45.8
0-60°	1752	68.7	80.9
0-90°	2166	84.9	100.0
Total Luminaire 0-180°	2166	84.9	100.0

LUMINANCE DATA (CD/M²)

Vertical Angle	0°	45°	90°
45°	1941	2217	2381
55°	1736	2072	2398
65°	1522	1837	2195
75°	1214	1477	1683
85°	748	782	714

CO-EFFICIENTS OF UTILIZATION

Floor Ceiling Wall	80				70			20 50		30		10		00
	70	50	30	10	70	50	10	50	10	50	10	50	10	00
RCR 0	101	101	101	101	99	99	99	94	94	90	90	87	87	85
1	93	90	86	83	91	88	82	84	80	81	77	78	75	73
2	86	79	74	69	84	78	69	75	67	72	66	69	64	62
3	79	70	64	59	77	69	58	67	57	64	56	62	55	54
4	72	63	55	50	70	61	50	59	49	57	48	56	48	46
5	66	55	48	42	64	54	42	53	42	51	41	49	41	39
6	61	49	42	37	59	49	37	47	36	46	36	44	36	34
7	56	44	37	32	54	44	32	42	32	41	31	40	31	29
8	51	40	33	28	50	39	27	38	27	37	27	36	27	25
9	47	36	29	24	46	35	24	34	24	33	23	32	23	22
10	44	32	25	21	43	32	21	31	21	30	21	29	21	19

Numbers indicate percentage values of reflectivity.

Go to www.focalpointlights.com for additional photometric data.

Veer® 2x2

FLUORESCENT - FLAT ACRYLIC DIFFUSER

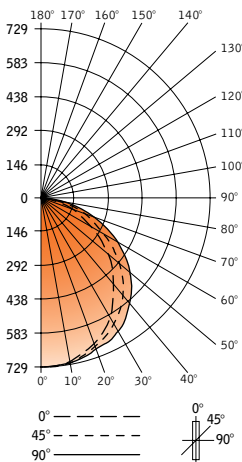
FVR-22-ACF-2-T5-120-G-WH

Filename: FVR222T5ACF.IES

Test #: 16778.0

Efficiency 82%

CANDLEPOWER DISTRIBUTION



Vertical Angle	Horizontal Angle					Zonal Lumens
	0°	22.5°	45°	67.5°	90°	
0°	729	729	729	729	729	729
5°	726	728	726	723	727	69
15°	691	696	701	705	707	199
25°	637	643	657	677	684	305
35°	539	553	593	621	635	670
45°	438	454	501	537	553	385
55°	316	334	379	428	447	342
65°	196	212	253	306	315	255
75°	98	106	130	161	166	140
85°	17	21	28	36	36	30
90°	0	0	0	0	0	0
95°	0	0	0	0	0	0
105°	0	0	0	0	0	0
115°	0	0	0	0	0	0
125°	0	0	0	0	0	0
135°	0	0	0	0	0	0
145°	0	0	0	0	0	0
155°	0	0	0	0	0	0
165°	0	0	0	0	0	0
175°	0	0	0	0	0	0
180°	0	0	0	0	0	0

LUMEN SUMMARY

Zone	Lumens	% Lamp	% Fixture
0-30°	573	22.5	27.4
0-40°	943	37.0	45.0
0-60°	1669	65.4	79.7
0-90°	2094	82.1	100.0
Total Luminaire 0-180°	2094	82.1	100.0

LUMINANCE DATA (CD/M²)

Vertical Angle	0°	45°	90°
45°	1836	2100	2318
55°	1633	1958	2310
65°	1374	1774	2209
75°	1122	1489	1901
85°	578	952	1224

CO-EFFICIENTS OF UTILIZATION

Floor Ceiling Wall	80				70			20 50		30		10		00
	70	50	30	10	70	50	10	50	10	50	10	50	10	00
RCR 0	98	98	98	98	95	95	95	91	91	87	87	84	84	82
1	90	86	83	80	88	85	79	81	77	78	74	75	72	70
2	83	76	71	66	80	75	66	72	64	69	63	67	61	60
3	76	68	61	56	74	66	56	64	55	62	54	60	53	51
4	69	60	53	48	68	59	47	57	47	55	46	53	46	44
5	63	53	46	40	62	52	40	50	40	49	39	47	39	37
6	58	47	40	35	57	47	35	45	35	44	34	42	34	32
7	54	43	35	30	52	42	30	41	30	39	30	38	30	28
8	49	38	31	26	48	38	26	36	26	35	26	34	26	24
9	45	34	27	23	44	34	23	33	22	32	22	31	22	21
10	42	31	24	20	41	31	20	30	20	29	20	28	20	18

Numbers indicate percentage values of reflectivity.

Go to www.focalpointlights.com for additional photometric data.

Veer[®] 2x2

FLUORESCENT - RADICAL ACRYLIC DIFFUSER

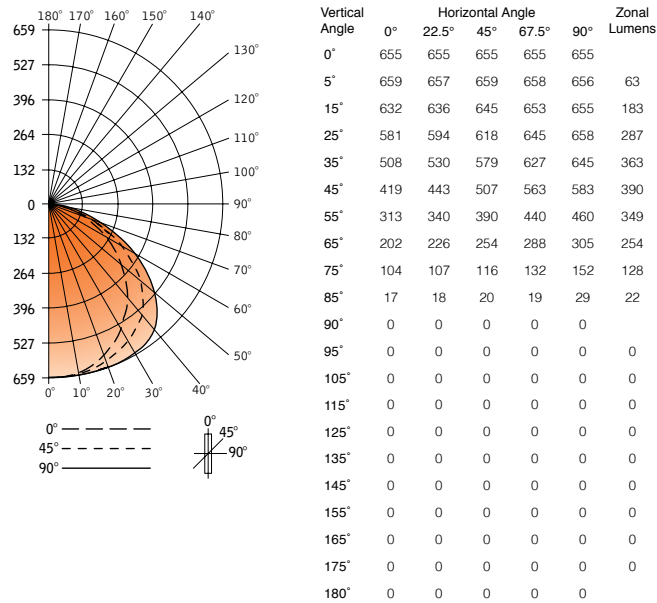
FVR-22-ACR-2-T5-120-G-WH

Filename: FVR222T5ACR.IES

Test #: 16779.0

Efficiency 80%

CANDLEPOWER DISTRIBUTION



LUMEN SUMMARY

Zone	Lumens	% Lamp	% Fixture
0-30°	532	20.9	26.1
0-40°	895	35.1	43.9
0-60°	1634	64.1	80.2
0-90°	2037	79.9	100.0
Total Luminaire 0-180°	2037	79.9	100.0

LUMINANCE DATA (cd/m²)

Vertical Angle	0°	45°	90°
45°	1756	2125	2444
55°	1617	2015	2377
65°	1417	1781	2139
75°	1191	1328	1741
85°	578	680	986

CO-EFFICIENTS OF UTILIZATION

Floor Ceiling Wall	80				70			20 50		30		10		00
	70	50	30	10	70	50	10	50	10	50	10	50	10	00
RCR 0	95	95	95	95	93	93	93	89	89	85	85	82	82	80
1	88	84	81	78	86	82	77	79	75	76	72	73	70	69
2	80	74	69	65	78	73	64	70	63	67	61	65	60	58
3	74	66	60	55	72	64	54	62	53	60	52	58	51	50
4	67	58	52	46	66	57	46	55	45	53	45	52	44	43
5	61	51	44	39	60	50	39	49	38	47	38	46	38	36
6	56	46	39	34	55	45	34	44	33	42	33	41	33	31
7	52	41	34	29	50	40	29	39	29	38	29	37	28	27
8	48	37	30	25	46	36	25	35	25	34	25	33	24	23
9	44	33	26	21	43	32	21	31	21	30	21	30	21	20
10	41	30	23	19	39	29	19	28	19	28	19	27	18	17

Numbers indicate percentage values of reflectivity.

Go to www.focalpointlights.com for additional photometric data.