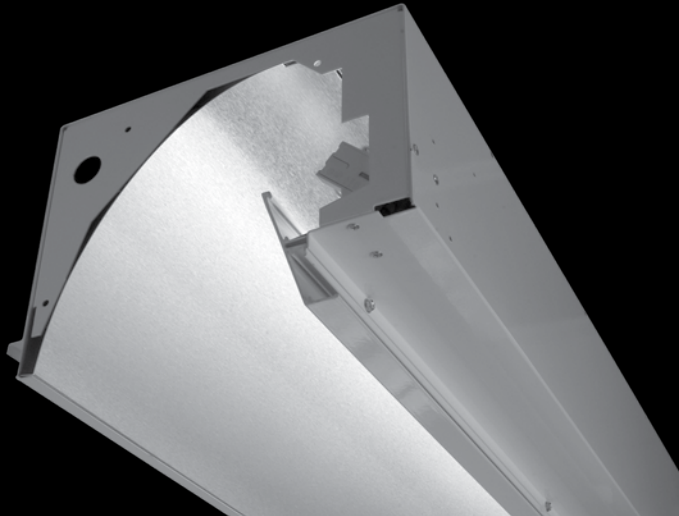
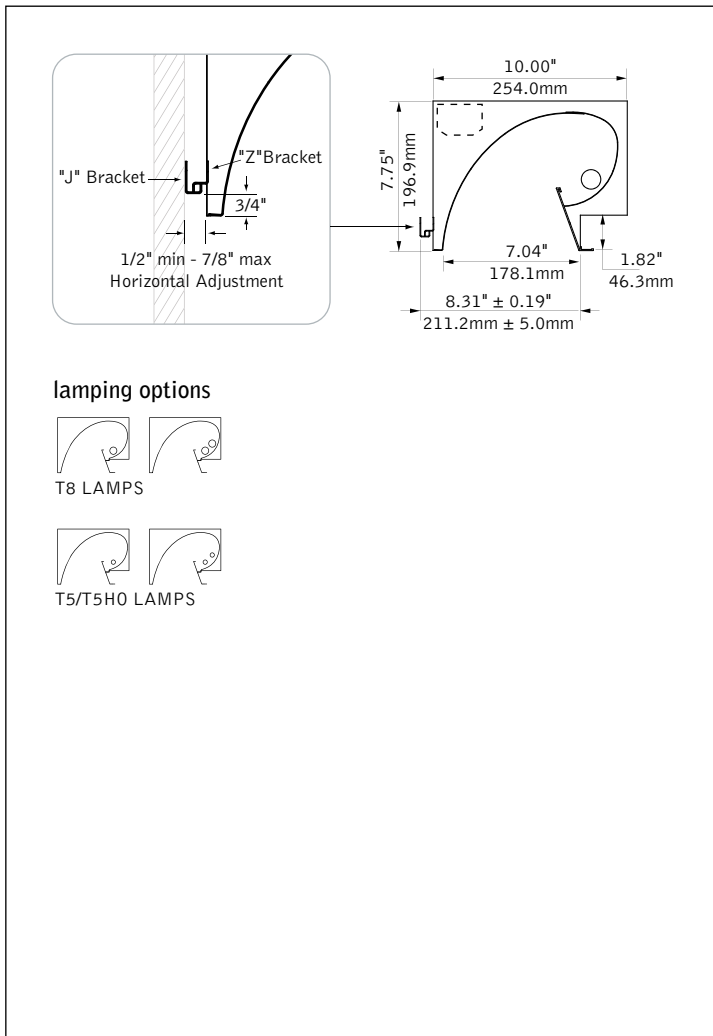


Focus™ 4

FLUORESCENT



DIMENSIONAL DATA



FEATURES

High performance perimeter open wall washing system.

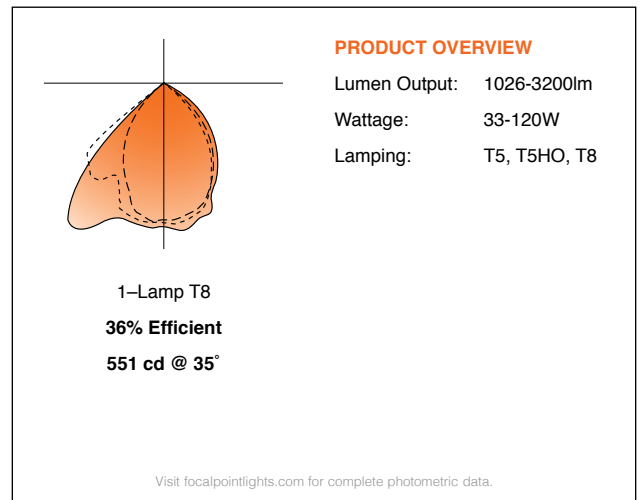
Includes an extruded aluminum splay, which conceals view to lamps.

Luminaire alignment is maintained with continuous angle and splice brackets.

Reflector design eliminates direct and reflected lamp image.

Especially effective when mounted against reflective wall surfaces such as polished stone or mirrors.

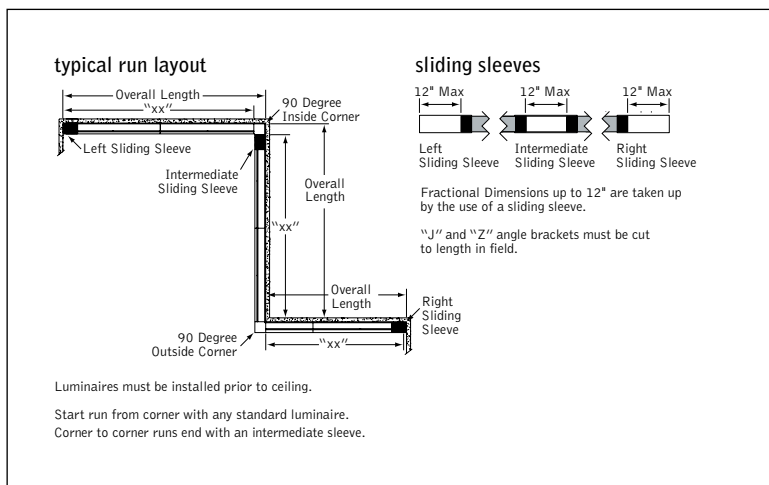
PERFORMANCE



fixture:

project:

DETAILS



SPECIFICATIONS

Construction

20 Ga. steel housing. 24 Ga. steel reflector. 3-3/4"H x 3/4" W extruded aluminum splay mates with ceiling. 18 Ga. internal bulkheads join luminaires. 18 Ga. galvanized steel splice brackets are provided to ensure precise luminaire alignment. 20 Ga. steel continuous wall angles are provided to ensure horizontal alignment at wall. Luminaires are available up to 8' nominal lengths. 4' unit weight: 26 lbs., 8' unit weight: 47 lbs.

Optic

CNC roll-formed brush anodized .032" aluminum front reflector with specular .024" aluminum back reflector. White Reflector also available.

Electrical

Electronic ballasts are thermally protected and have a Class "P" rating. Optional dimming ballasts available. Consult factory for dimming specifications and availability.

Labels

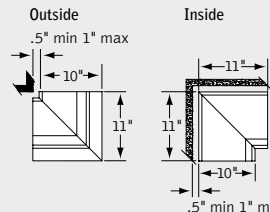
UL and cUL listed.

Finish

Polyester powder coat applied over a 5-stage pre-treatment. Standard luminaire housing finished in Matte Satin White.

ORDERING

Luminaire Series		FW4
Focus 4	FW4	
Shielding		NS
No Shielding, Open Optic	NS	
Lamping		
One Lamp T8	1T8	
Two Lamp T8	2T8	
One Lamp T5	1T5	
Two Lamp T5	2T5	
One Lamp T5HO	1T5HO	
Two Lamp T5HO	2T5HO	
Circuit		
Single Circuit	1C	
Dual Circuit (Two lamps only)	2C	
Voltage		
120 Volt	120	
277 Volt	277	
347 Volt	347	
(Consult factory for dimming options)		
120/277 UNV	UNV	
(Not available with 1-lamp T5HO dimming or EM)		
Ballast		
Electronic Program Start <10% THD	S	
0-10V	D7	
Lutron 1% 3-wire	DH	
Lutron 1% H-Series	DK	
Mounting		RC
Recessed	RC	
Factory Options		
Air Return	AR	
Emergency Circuit*	EC	
Emergency Battery Pack*	EM	
Flanged End (Specify when run does not terminate at a wall)	FL	
HLR/GLR Fuse	FU	
Matte White Reflector	WR	
Include 3000K Lamp*	L830	
Include 3500K Lamp*	L835	
Include 4100K Lamp*	L841	
Sliding Sleeve	SS	
Finish		WH
Matte Satin White	WH	
Luminaire Length		
Designate length in feet	XX'	
(Nominal lengths: 2', 3', 4', 5', 6', 7', 8')		
(All end caps are flat with no flange unless otherwise specified)		
Corner Options		
90-degree Inside Corner	FW4-IC90	
90-degree Outside Corner	FW4-OC90	



Continuous Runs are constructed of standard fixture lengths. Field conditions dictate the position of sliding sleeves. Specify Flanged End when run does not terminate at a wall. Consult factory for details.

Example: 32' run = three 8' fixtures and one 7' fixture with a sliding sleeve expandable to 32'.

Run length (in feet)	Standard fixture lengths required	Lamp sizes	Sliding sleeve	Run length (in feet)	Standard fixture lengths required	Lamp sizes	Sliding sleeve
4 – 5	4	4	1	34 – 35	8 8 8 6 4	4 4 4 4 4 4 4 3 3	1
5 – 6	5	5	1	35 – 36	8 8 8 8 3	4 4 4 4 4 4 4 4 3	1
6 – 7	6	3 3	1	36 – 37	8 8 8 8 4	4 4 4 4 4 4 4 4 4	1
7 – 8	7	4 3	1	37 – 38	8 8 8 6 7	4 4 4 4 4 4 4 3 3 3	1
8 – 9	8	4 4	1	38 – 39	8 8 8 8 6	4 4 4 4 4 4 4 4 3 3	1
9 – 10	6 3	3 3 3	1	39 – 40	8 8 8 8 7	4 4 4 4 4 4 4 4 4 3	1
10 – 11	6 4	3 3 4	1	40 – 41	8 8 8 8 8	4 4 4 4 4 4 4 4 4 4	1
11 – 12	8 3	4 4 3	1	41 – 42	8 8 8 8 6 3	4 4 4 4 4 4 4 4 3 3 3	1
12 – 13	8 4	4 4 4	1	42 – 43	8 8 8 8 6 4	4 4 4 4 4 4 4 4 4 3 3	1
13 – 14	7 6	4 3 3 3	1	43 – 44	8 8 8 8 8 3	4 4 4 4 4 4 4 4 4 4 3	1
14 – 15	8 6	4 4 3 3	1	44 – 45	8 8 8 8 8 4	4 4 4 4 4 4 4 4 4 4 4	1
15 – 16	8 7	4 4 4 3	1	45 – 46	8 8 8 8 7 6	4 4 4 4 4 4 4 4 4 3 3 3	1
16 – 17	8 8	4 4 4 4	1	46 – 47	8 8 8 8 8 6	4 4 4 4 4 4 4 4 4 4 3 3	1
17 – 18	8 6 3	4 4 3 3 3	1	47 – 48	8 8 8 8 8 7	4 4 4 4 4 4 4 4 4 4 4 3	1
18 – 19	8 6 4	4 4 4 3 3	1	48 – 49	8 8 8 8 8 8	4 4 4 4 4 4 4 4 4 4 4 4	1
19 – 20	8 8 3	4 4 4 4 3	1	49 – 50	8 8 8 8 8 6 3	4 4 4 4 4 4 4 4 4 4 3 3 3	1
20 – 21	8 8 4	4 4 4 4 4	1	50 – 51	8 8 8 8 8 7 3	4 4 4 4 4 4 4 4 4 4 4 3 3	1
21 – 22	8 7 6	4 4 4 3 3 3	1	51 – 52	8 8 8 8 8 8 3	4 4 4 4 4 4 4 4 4 4 4 4 3	1
22 – 23	8 8 6	4 4 4 4 3 3	1				
23 – 24	8 8 7	4 4 4 4 4 3	1				
24 – 25	8 8 8	4 4 4 4 4 4	1				
25 – 26	8 8 6 3	4 4 4 4 3 3 3	1				
26 – 27	8 8 6 4	4 4 4 4 4 3 3	1				
27 – 28	8 8 8 3	4 4 4 4 4 4 3	1				
28 – 29	8 8 8 4	4 4 4 4 4 4 4	1				
29 – 30	8 8 7 6	4 4 4 4 4 3 3 3	1				
30 – 31	8 8 8 6	4 4 4 4 4 4 3 3	1				
31 – 32	8 8 8 7	4 4 4 4 4 4 4 3	1				
32 – 33	8 8 8 8	4 4 4 4 4 4 4 4	1				
33 – 34	8 8 8 6 3	4 4 4 4 4 4 3 3 3	1				

Focus™ 4

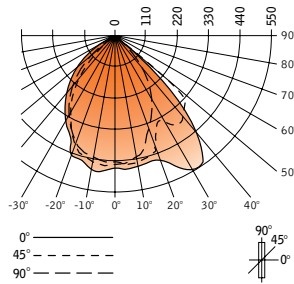
FLUORESCENT

FW4-1T8-1C-120-E-RC-HW

Filename: FW4NS1T8.IES
Test #: 8643.1

Lumens: 1026lm
Efficiency: 36%

CANDLEPOWER DISTRIBUTION



Vertical Angle	Horizontal Angle					Zonal Lumens
	0°	22.5°	45°	67.5°	90°	
0°	488	488	488	488	488	488
5°	485	488	488	490	491	47
15°	471	471	471	472	474	136
25°	509	479	445	427	427	202
35°	551	548	449	353	348	239
45°	329	374	419	272	255	201
55°	30	48	230	240	174	115
65°	19	21	24	151	97	68
75°	10	10	10	16	36	16
85°	3	3	3	3	9	4
90°	0	0	0	0	0	0
95°	0	0	0	0	0	0
105°	0	0	0	0	0	0
115°	0	0	0	0	0	0
125°	0	0	0	0	0	0
135°	0	0	0	0	0	0
145°	0	0	0	0	0	0
155°	0	0	0	0	0	0
165°	0	0	0	0	0	0
175°	0	0	0	0	0	0
180°	0	0	0	0	0	0

LUMEN SUMMARY

Zone	Lumens	% Lamp	% Fixture
0-30°	384	13.5	37.5
0-40°	623	21.9	60.7
0-60°	938	32.9	91.5
0-90°	1026	36.0	100
Total Luminaire 0-180°	1026	36	100.0

Go to www.focalpointlights.com for additional photometric data.