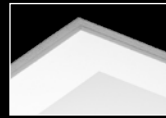
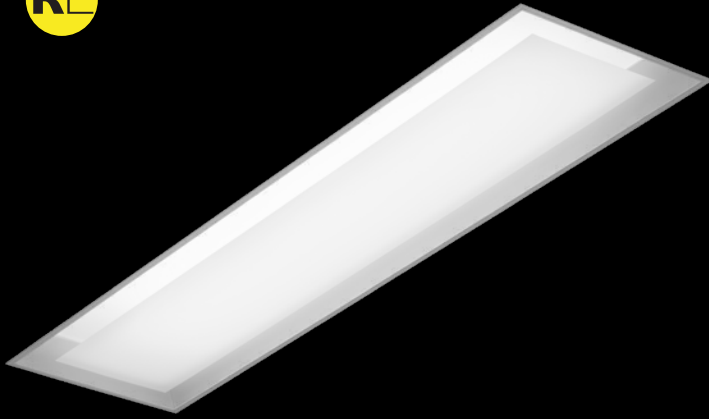


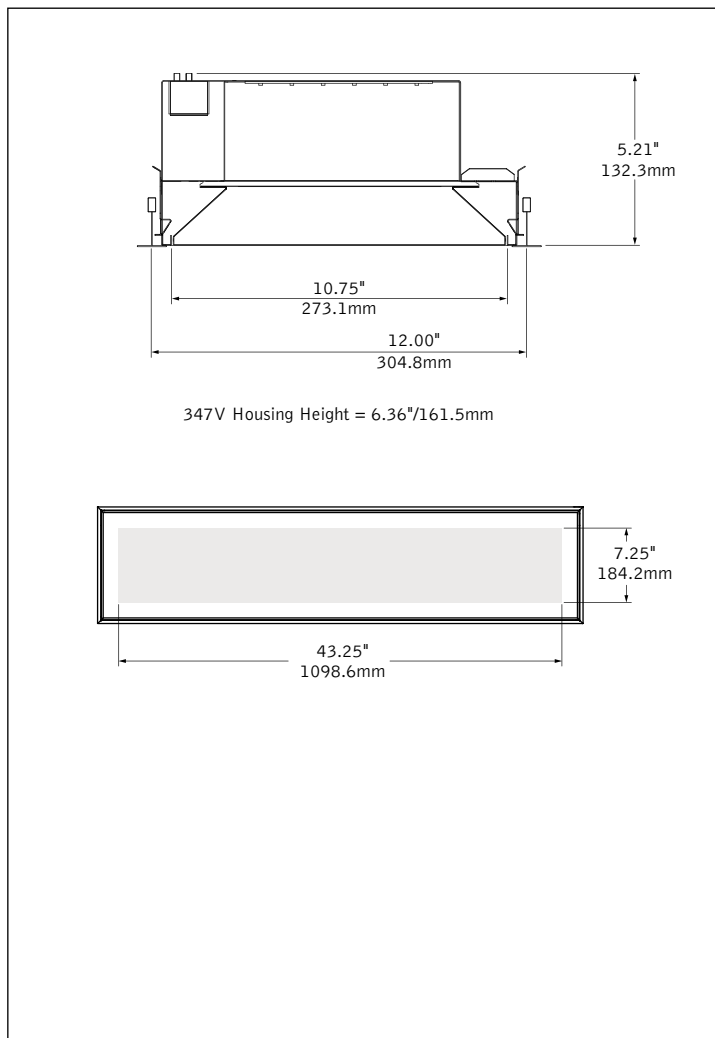
Zephyr™ 1x4

LED



detail

DIMENSIONAL DATA



FEATURES

Architectural recessed 1'x4' with unique floating diffuser.

Lens element features an optical microstructure providing glare control and high levels of efficiency.

Zephyr features a one-piece, hinged bezel assembly that is easily removed for ease of maintenance.

Standard Right Light levels from 1,000 to 4,000 lumens.

Dimming options include DALI, 0-10V and Lutron EcoSystem.

PERFORMANCE

PRODUCT OVERVIEW

Lumen Output: 1000-4000lm

Wattage: 11-44W

LPW: 93-100

SDCM: 3

Reported Lumen L70 @

Maintenance: 42,000hrs

Delivered Lumens: 3577lm

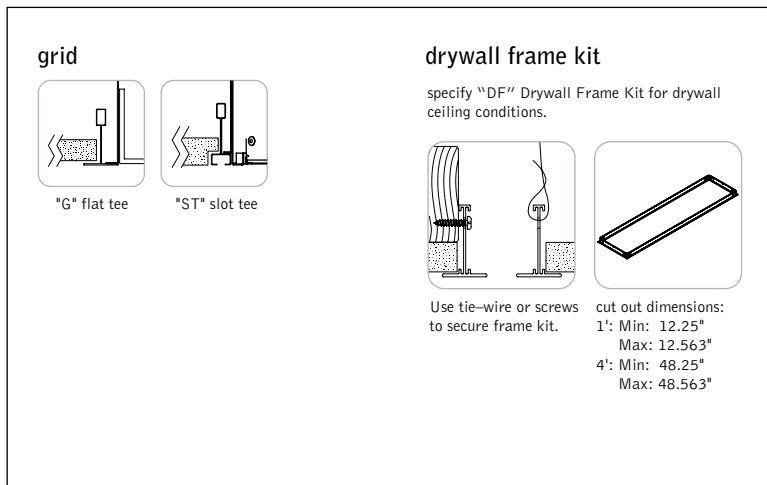
Total System Watts: 37W

Photometric performance is measured in accordance with IESNA LM-79. Visit focalpointlights.com for complete photometric data. Visit designlights.org/QPL for model specifics.

fixture:

project:

DETAILS



SPECIFICATIONS

LED System

Proprietary linear LED module incorporates premium LEDs on a robust platform to achieve excellent thermal management. LEDs are placed to promote a uniform appearance. Available in 3000K, 3500K or 4000K with CRI>80. 0-10V dimming driver standard. LED modules and drivers are replaceable from below. Color accuracy <3 SDCM.

Construction

24 Ga. steel housing. Bottom access 24 Ga. steel driver compartment. Positional brackets supplied as standard. Weight: 16 lbs.

Optic

24 Ga. Steel reflectors finished in matte satin white powder coat. Layered lens system includes .020" thick frosted acrylic and .080" clear acrylic with optical microstructure.

Electrical

Standard 120-277V driver includes 0-10V analog dimming, 100% - 10% range. Power factor > .9.

Emergency

Bodine BSL310-CAN. Emergency output—10 watts for 90 minutes. Maximum mounting height: 23.9ft

Labels

UL and cUL listed. Suitable for Dry or Damp Locations, indoor use only.

Finish

Polyester powder coat applied over a 5-stage pre-treatment.

Lumen Maintenance

Calculated: L70 at 115,000 hours Reported: L70 at 42,000 hours.
 (Derived from EPA TM-21 calculator per 7,000 hours of LED test data)

Lifetime and warranty

LED system rated for operation in ambient environments up to 35°C. 5 year limited warranty.

PERFORMANCE CHART

Delivered Lumens	Tested System Watts	LPW
1000	11	98
2000	20	100
2500	25	100
3000	30	100
3500	37	97
4000	44	93

3500K data. *Lumen output may vary +/- 5%. Actual wattage may vary +/- 5%. CCT Multipliers: 2700K - 0.949, 3000K - 0.966, 4000K - 1.025.

ORDERING

Luminaire Series	FZR	FZR
Zephyr	FZR	
Nominal Size	14	14
1' x 4'	14	
Shielding	FL	FL
Frosted Lens	FL	
Lumen Output		
1000 Lumens	1000L	
2000 Lumens	2000L	
2500 Lumens	2500L	
3000 Lumens	3000L	
3500 Lumens	3500L	
4000 Lumens	4000L	
Color Temperature		
2700K	27K	
3000K	30K	
3500K	35K	
4000K	40K	
Circuits	1C	1C
Single Circuit	1C	
Voltage		
UNV 120/277 Volt	UNV	
347 Volt	347	
<small>(Transformer required for all drivers except LD1. Top access only to transformer. LD1 not available with 1000 Lumen. Not available with SD5.)</small>		
Driver		
0-10V - 10% Dimming	LD1	
0-10V - 1% Dimming	L11	
Lutron A-Series -	L3D	
1% EcoSystem Digital		
<small>(Consult factory for 3-wire control)</small>		
Lutron H-Series - 1% Dimming	LH1	
Lutron 5-Series -	LU5	
5% EcoSystem Digital		
<small>(Not available in 1000 lumens)</small>		
DALI - 1% Dimming	D11	
Step Dimming	SD5	
<small>(120/277 only. 3000, 3500 & 4000 Lumens only.)</small>		
Mounting		
Drywall Frame Kit	F	
Grid	G	
Slot Tee	ST	
Factory Options		
Air Return	AR	
<small>(Housing height 5.78in/146.7mm. Not compatible with Drywall Frame Kit.)</small>		
Chicago Plenum	CP	
Emergency Battery*	EM	
<small>(120/277 only.)</small>		
6' New York City Flex Whip (120V)	FNY1	
6' New York City Flex Whip (277V)	FNY2	
6' Flex Whip	FW	
<small>(Sensor options available, consult factory)</small>		
Finish	WH	WH
Matte White Housing	WH	

Zephyr™ 1x4

LED

FZR-14-FL-3500L-35K-1C-120-LD1-G-WH

Lumens: 3577lm

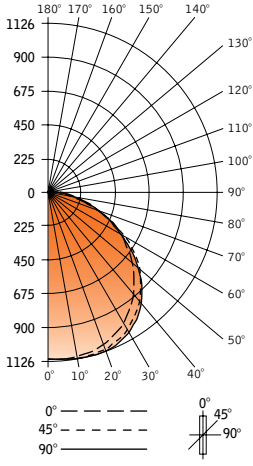
Filename: FZR14FL3500L35K.IES

System Watts: 37W

Test #: 1185783.0

LPW: 97

CANDLEPOWER DISTRIBUTION



Vertical Angle	Horizontal Angle				
	0°	22.5°	45°	67.5°	90°
0°	1126	1126	1126	1126	1126
5°	1129	1126	1124	1126	1126
15°	1111	1121	1134	1147	1151
25°	1058	1079	1101	1120	1125
35°	956	986	1014	1032	1035
45°	812	850	880	890	884
55°	637	677	699	676	665
65°	438	475	466	444	434
75°	223	241	230	214	208
85°	40	43	42	41	40
90°	0	0	0	0	0
95°	0	0	0	0	0
105°	0	0	0	0	0
115°	0	0	0	0	0
125°	0	0	0	0	0
135°	0	0	0	0	0
145°	0	0	0	0	0
155°	0	0	0	0	0
165°	0	0	0	0	0
175°	0	0	0	0	0
180°	0	0	0	0	0

LUMEN SUMMARY

Zone	Lumens	% Fixture
0-30°	935	26.1
0-40°	1565	43.7
0-60°	2835	79.3
0-90°	3577	100.0
Total Luminaire 0-180°	3577	100.0

LUMINANCE DATA (CD/M²)

Vertical Angle	Horizontal		
	0°	45°	90°
45°	3734	4043	4062
55°	3608	3961	3770
65°	3369	3587	3338
75°	2804	2882	2617
85°	1503	1567	1509

Go to www.focalpointlights.com for additional photometric data.