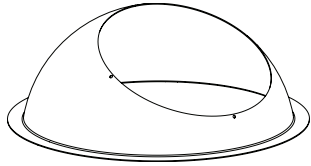


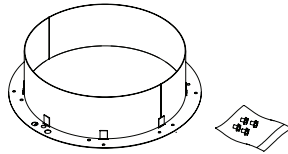
id+ high ceiling 6" & 8" round sloped ceiling adapter



! LUMINAIRE MUST BE INSTALLED PRIOR TO DRYWALL CEILING. ALL LUMINAIRES MUST BE SECURED TO STRUCTURE ABOVE. !



SLOPED CEILING ADAPTER



ADAPTER COLLAR

KEY



POWER OFF



POWER ON



LEVEL



ATTENTION

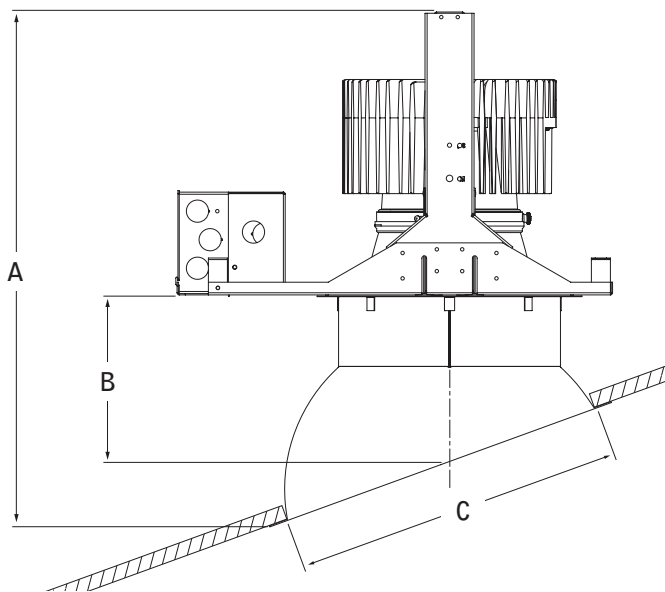


SEE ADDITIONAL INSTRUCTIONS

DIMENSIONAL DATA



HOUSING/ADAPTER ORIENTATION TO CEILING



USE PROVIDED TEMPLATE FOUND ON SHIPPING CONTAINER TO VERIFY CEILING SLOPE

6" SLOPED CEILING ADAPTER

SLOPE DEGREE	A. OVERALL HEIGHT	B. BOTTOM OF FRAME TO FINISHED CEILING	C. CEILING CUTOUT
10°	18.13"	5.86"	11"
15°	18.66"	5.85"	
20°	19.18"	5.82"	
25°	19.69"	5.78"	
30°	20.19"	5.72"	
35°	20.68"	5.65"	

8" SLOPED CEILING ADAPTER

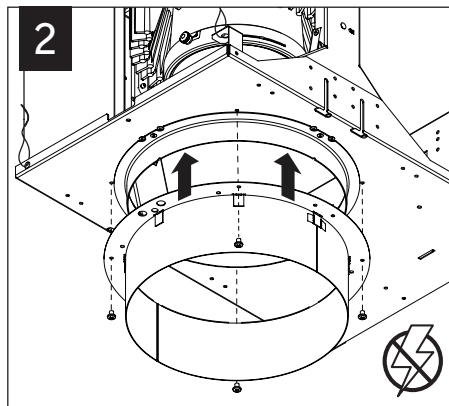
SLOPE DEGREE	A. OVERALL HEIGHT	B. BOTTOM OF FRAME TO FINISHED CEILING	C. CEILING CUTOUT
10°	19.05"	6.58"	13.5"
15°	19.67"	6.56"	
20°	20.30"	6.52"	
25°	20.91"	6.48"	
30°	21.50"	6.43"	
35°	22.08"	6.36"	

1

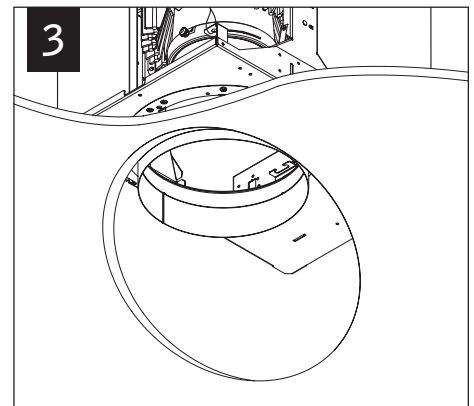


FOLLOW FOCAL POINT INSTRUCTIONS FOR ID® LED HIGH CEILING 6" & 8" ROUND. SEE IS0538

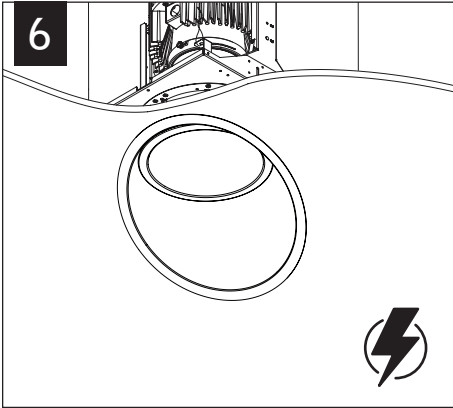
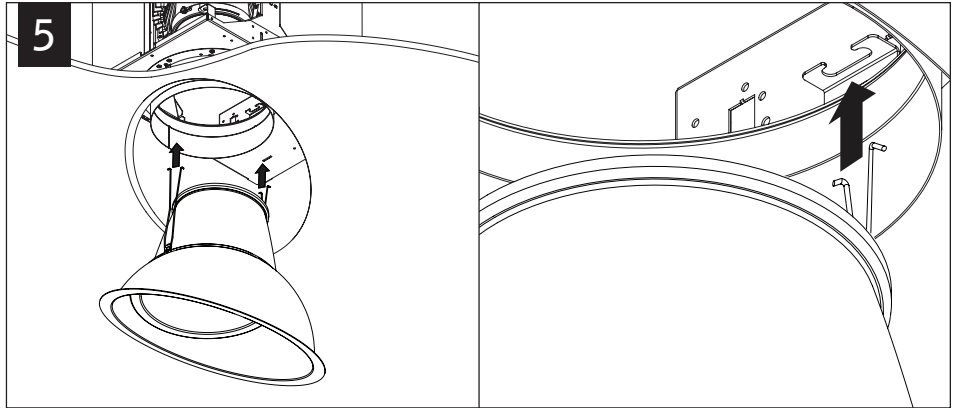
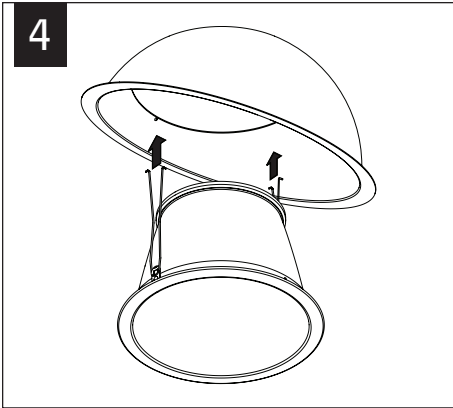
2



3



Luminaires must be installed by a qualified electrician (check with local and national codes for proper installation). To prevent electrical shock, disconnect electrical supply before installation or servicing.



EMERGENCY



SEE BATTERY MANUFACTURER
INSTRUCTIONS

EMERGENCY MAXIMUM MOUNTING HEIGHT:
35.00'

Contractor is responsible for adequately reinforcing walls and/or ceilings to support luminaire weight. Focal Point, LLC accepts no responsibility for inadequately reinforced walls and/or ceilings. The information contained in this drawing is the sole property of Focal Point, LLC. Any reproduction in part or whole without the written permission of Focal Point, LLC is prohibited.