

id led

HIGH CEILING



FOCAL POINT®

id led

HIGH CEILING

Raise your expectations with the ID® LED High Ceiling downlight family. Leave the limitations and compromises of old technology behind. Embrace low maintenance and ultimate design flexibility. Realize that new technology and energy savings should never compromise the clean and comfortable visual appearance your space demands.

3 OUTPUT LEVELS

LL1 - Low Output: 49W

LL2 - Medium Output: 69W

LL3 - High Output: 100W

4 BEAMSPREADS + WALL WASH

Narrow Flood

Flood

Wide Flood

Very Wide Flood

COLOR OFFERING

3000, 3500, 4000K

80+ CRI

2 SDCM

DIMMING OPTIONS

Standard 0-10V - Dimming down to 1%

Lutron EcoSystem

eldoLED 0-10V, DMX/RDM, DALI



HIGH CEILING FAMILY



6" Downlight - up to 82 LPW
35°, 45°, 55°, 65° | 3700, 5000, 7000lm*



6" Wall Wash
2000, 2800, 3600lm*



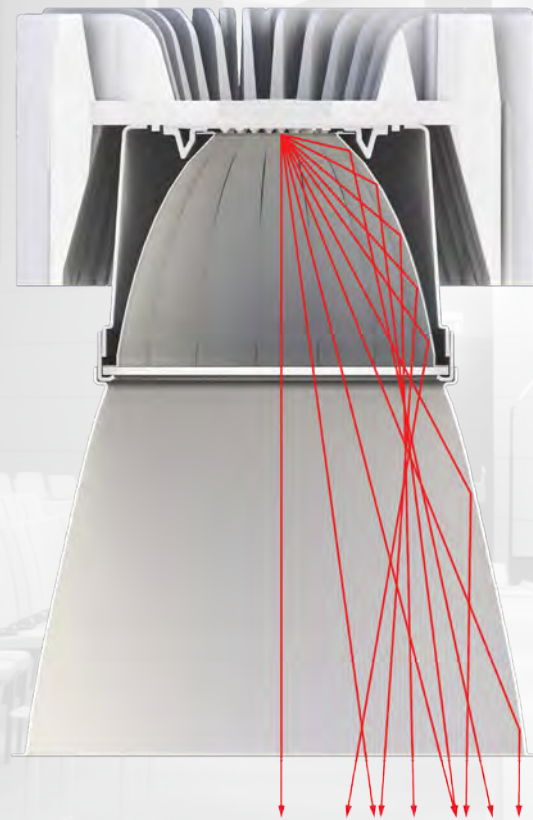
8" Downlight - up to 88 LPW
30°, 40°, 50°, 60° | 4000, 5500, 7500lm*



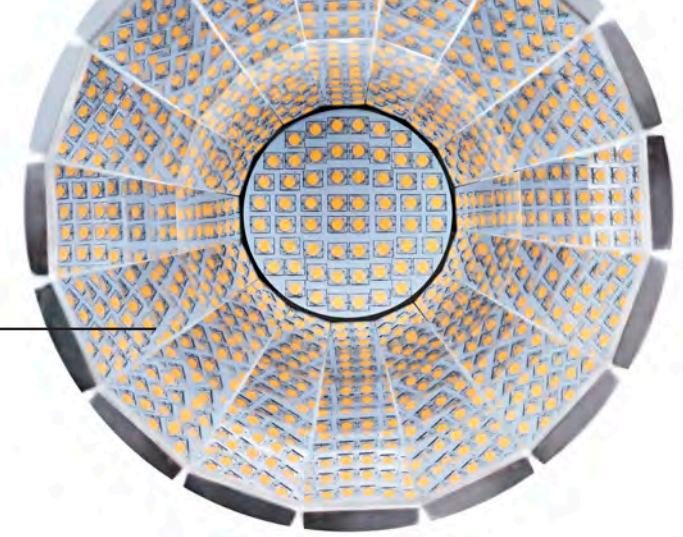
8" Wall Wash
2600, 3500, 4500lm*

id led VISUAL COMFORT

Brightness control is critical in high ceiling applications. Our precision optical design efficiently captures and redirects light out of the aperture, while maintaining a comfortable appearance that does not detract from the environment.



A faceted 98% reflective specular primary reflector controls each ray, and focuses the beam toward its target.



Field-changeable optical filters shape the light into smooth beamspreads from 30° - 65°. The filter creates a single homogenous light source, and eliminates distracting multi-source shadows.

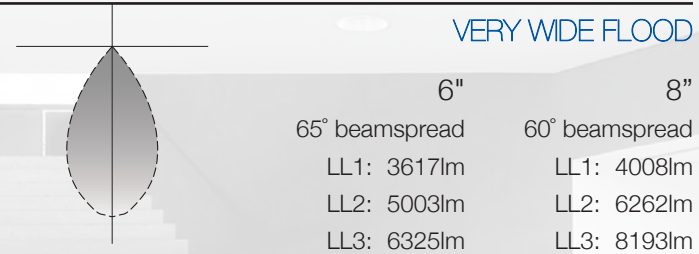
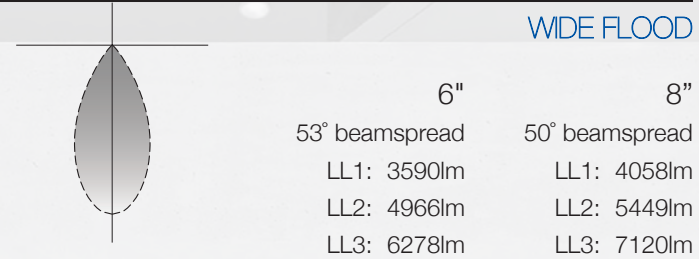


The low-brightness design is finished with a diffuse 50° cutoff reflector. The gently grazed reflector surface contributes to a comfortable and quiet presence in the ceiling.





EFFICIENTLY FLEXIBLE



Above data represents actual tested and estimated values derived from independent LM-79 photometric reports.

ID LED adapts to each high ceiling application, offering maximum design flexibility. Multiple beamspreads, a range of outputs and a selection of dimming drivers provide options and capabilities that previous technologies could not achieve.

50' x 50' EXAMPLE

	distribution	output level	fixture spacing	average footcandles	uniformity	watts/sq. foot
50' CEILING						
8"	NFL	LL3	20' x 20'	16.5	1.9	0.30
8"	NFL	LL3	15' x 15'	26.2	1.9	0.57
40' CEILING						
8"	NFL	LL1	15' x 15'	17.0	1.7	0.27
8"	NFL	LL3	20' x 20'	16.7	1.9	0.30
25' CEILING						
8"	FL	LL1	16.5' x 20'	10.4	3.5	0.15
8"	FL	LL3	15' x 15'	30.6	1.5	0.56
6"	FL	LL3	15' x 15'	26.0	1.6	0.56
15' CEILING						
8"	WFL	LL1	15' x 15'	18.6	1.4	0.27
6"	WFL	LL2	15' x 15'	22.2	1.4	0.39
12' CEILING						
8"	WFL	LL1	12' x 12'	26.2	2.3	0.35
6"	VWFL	LL1	15' x 15'	16.7	1.5	0.27

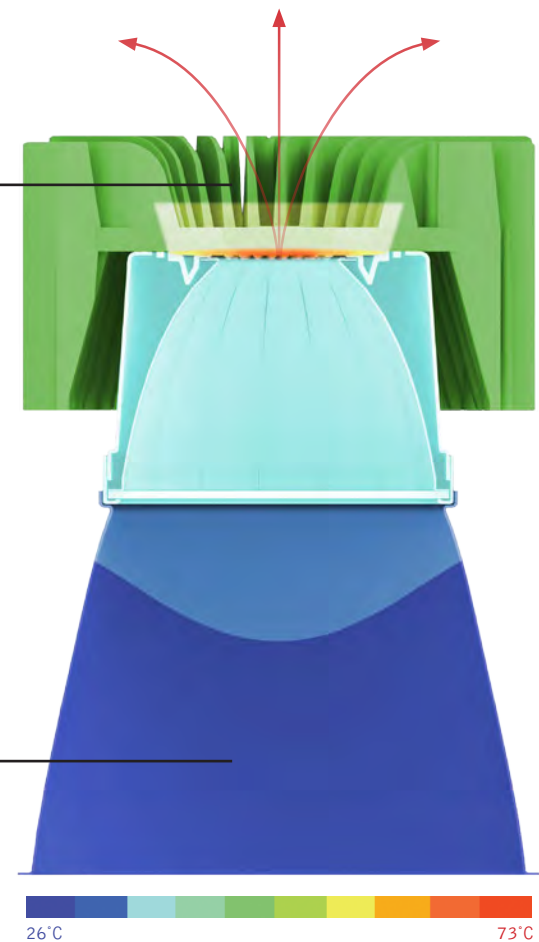
Room Size: 50' x 50' | LLF: 0.85 | Reflectances: 80/50/20 | Color Temp: 3500K
Light levels calculated in AGI-32. Calculations do not include any furniture or partitions.

id led

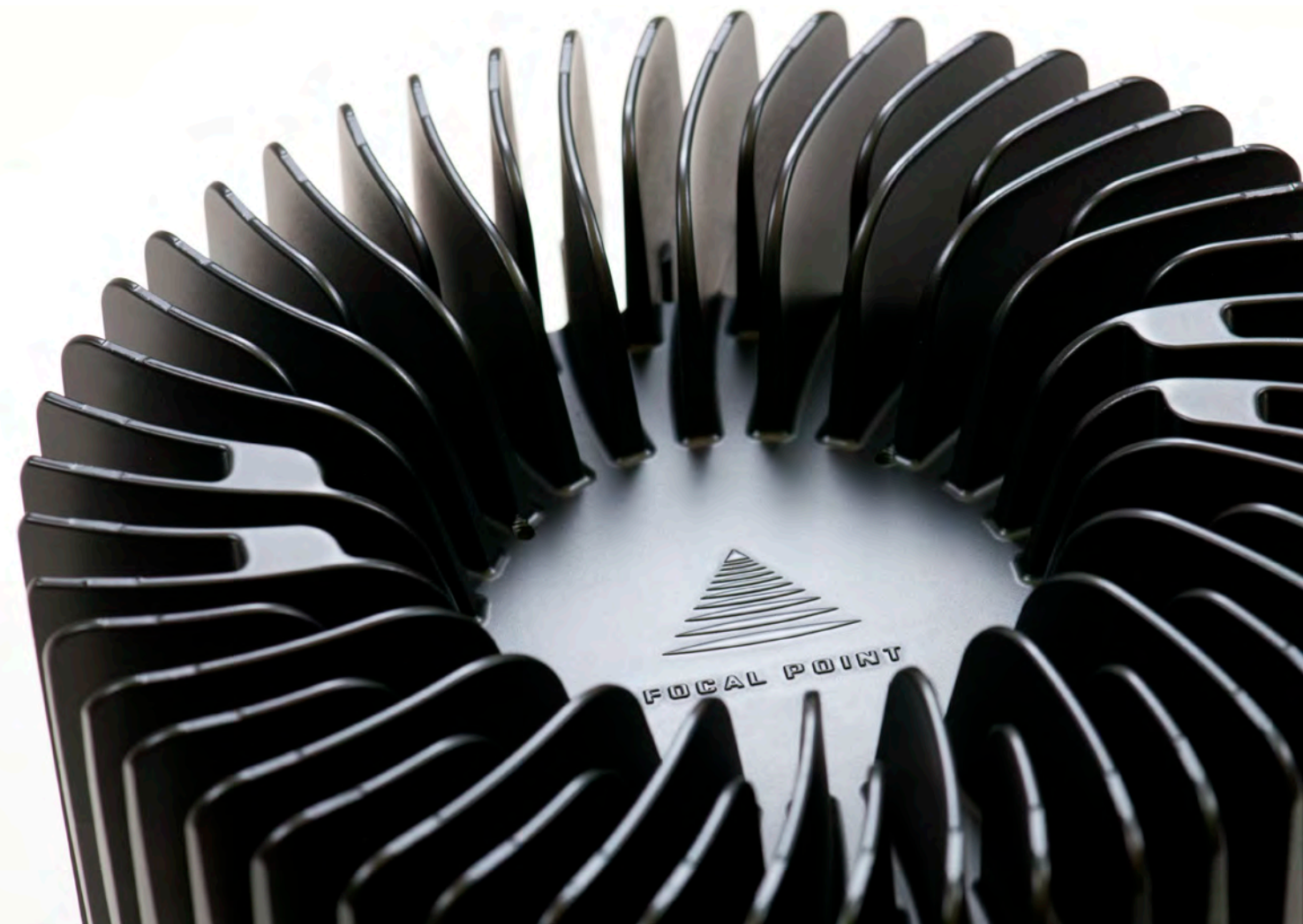
STABLE & SILENT

Reliability counts in high ceiling applications. The ID LED High Ceiling family is designed for long and stable operation, even in environments with ambient temperatures up to 45° C. A robust passive cooling system enables this longevity without the need for a mechanical cooling device or fan. No fan means no noise, making this design ideal for auditoriums, churches and meeting rooms.

Turbine-style heat sink with high fin density draws air across fins to pull heat away from the LED array, allowing the system to run reliably, even in elevated ambient conditions.



Unlike halogen or metal halide sources, this luminaire contributes very little heat into the room side environment.

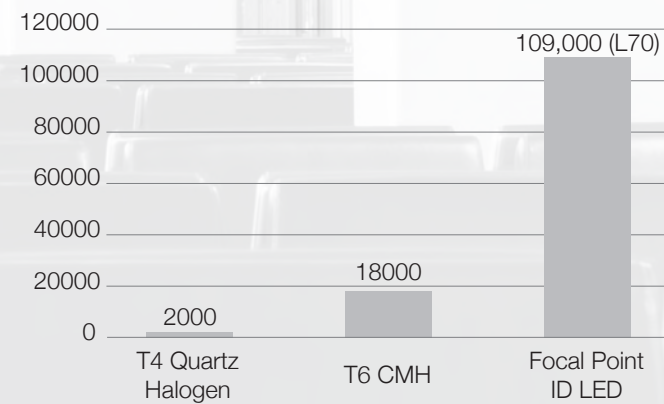




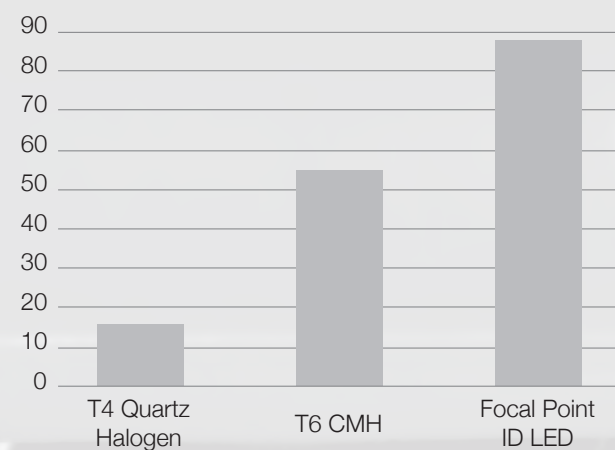
LASTING IMPRESSIONS

Luminaires in high ceiling applications can be very difficult and expensive to maintain. So why not minimize the need for maintenance? With its long life and robust design, you can confidently specify ID LED High Ceiling for atriums, airports, and auditoriums.

LAMP LIFE / LUMEN MAINTENANCE (HRS)



EFFICACY (LPW)

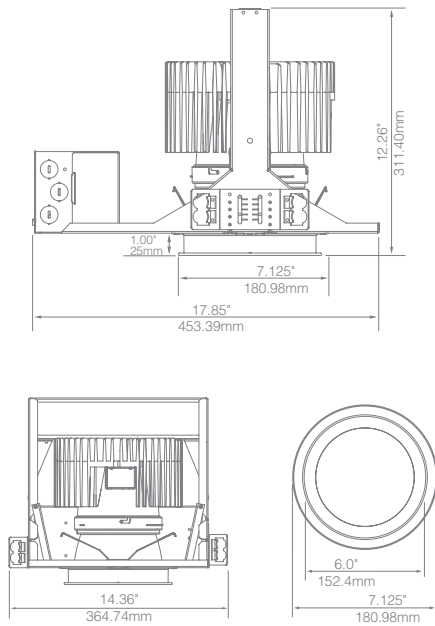


OPERATING COST COMPARISON (6 Luminaires)

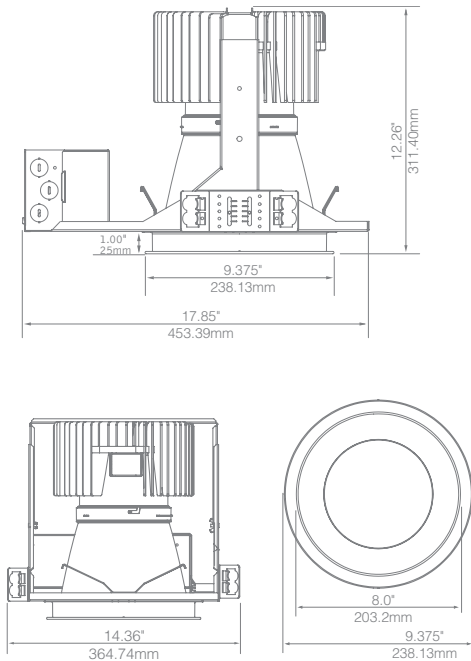
	LED	T6 CMH
Calculated Lumen Maintenance* / Lamp Life	109,000 hrs (L70)	18,000 hrs
Lamp Replacement (LED Lifetime)	0	6
ESTIMATED MAINTENANCE COST	0	\$6,407
Total System Wattage	69W	82W
Total Energy Consumption (kW)	7,521	8,938
TOTAL ENERGY COST OVER LIFE OF LED (\$.10/KWH)	\$4,512.60	\$5,362.80
TOTAL COST	\$4,512.60	\$11,769.58
Total Cost Savings	\$7,256.98	
TOTAL COST SAVING PERCENTAGE	161%	

*calculated lumen maintenance derived using EPA TM-21 calculator, reported lumen maintenance is 36,000 hours.
Maintenance cost based on: group relamp of 6 fixtures, 30 minutes per fixture at \$65 per hour, \$78 per lamp, \$395 rental fee for lift and truck

6" TECHNICAL SPECIFICATIONS



8" TECHNICAL SPECIFICATIONS



6" & 8" HIGH CEILING ORDERING

housing ordering

housing series		_____
ID LED 8" Round	FL8H	
ID LED 6" Round	FL6H	

led module

Low Output (49W)	LL1	_____
Medium Output (69W)	LL2	
High Output (100W)	LL3	

color temperature

3000K	30K	_____
3500K	35K	
4000K	40K	

distribution

Narrow Flood	NFL	_____
Flood	FL	
Wide Flood	WFL	
Very Wide Flood	VWFL	
Wall Wash	WW	

driver

0-10V - 1% Dimming	L11	_____
eldoLED SOLOdrive™ 0-10V Dimming (100% - 0% dimming)	LE1	
eldoLED SOLOdrive DALI Dimming	DALI	
eldoLED POWERdrive DMX/RDM	DMX	
Lutron® A-Series - EcoSystem® (2) drivers supplied, (2) EcoSystem addresses consumed (LL1, LL2 only)	L3D	

voltage

120V	120	_____
277V	277	

trim type

Round Overlap	RO	<u>RO</u>
---------------	----	-----------

housing type

Thermally Protected, Non-IC	T	<u>T</u>
-----------------------------	---	----------

factory options

Chicago Plenum	CP	_____
Emergency Battery Pack with Remote Test Switch (above ceiling access only)	EMR	_____

trim ordering

aperture

8" Round Reflector	L8H	_____
6" Round Reflector	L6H	

trim type

Round	RD	<u>RD</u>
-------	----	-----------

optic

Downlight	DN	_____
Wall Wash	WW	

color

Clear Diffuse	CD	<u>CD</u>
---------------	----	-----------

flange finish

Non-Painted	NP	_____
White Painted	WP	



Applications are for inspiration only. Some images do not depict actual ID LED High Ceiling installations.

©2014 Focal Point LLC. 4141 S. Pulaski Road, Chicago, IL 60632 T 773.247.9494 | www.focalpointlights.com All rights reserved. "Focal Point", "The Art of Light", "ID" and the light-ray graphic are trademarks or registered trademarks of Focal Point, LLC. Visit www.focalpointlights.com for specification and other details on our entire catalog.