

# Seem® 4 LED Perimeter

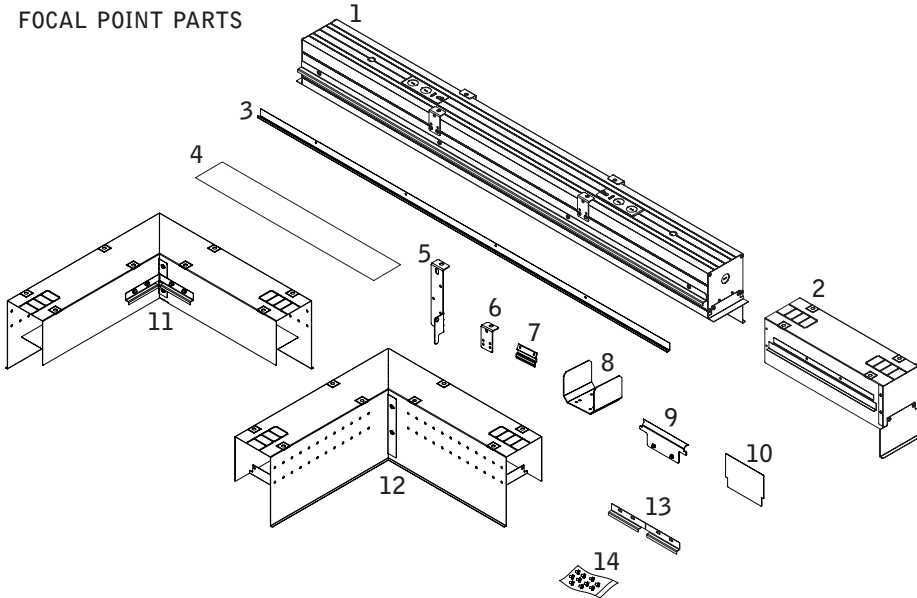
FSM4L\_FL2



FOCAL POINT™

**⚠ MUST BE INSTALLED PRIOR TO DRYWALL /HARD CEILING ⚠**  
**READ ALL INSTALLATION INSTRUCTIONS BEFORE BEGINNING INSTALLATION**

## FOCAL POINT PARTS

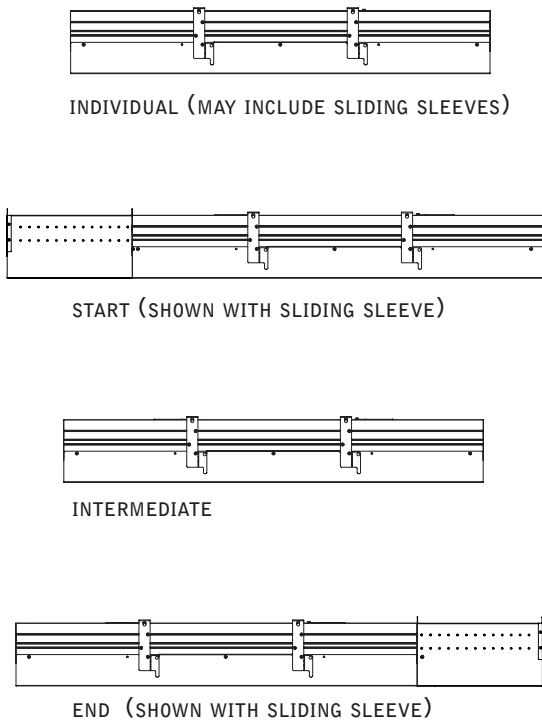


KEY **⚠ ATTENTION**  
**⚡ POWER OFF** **⚡ POWER ON**

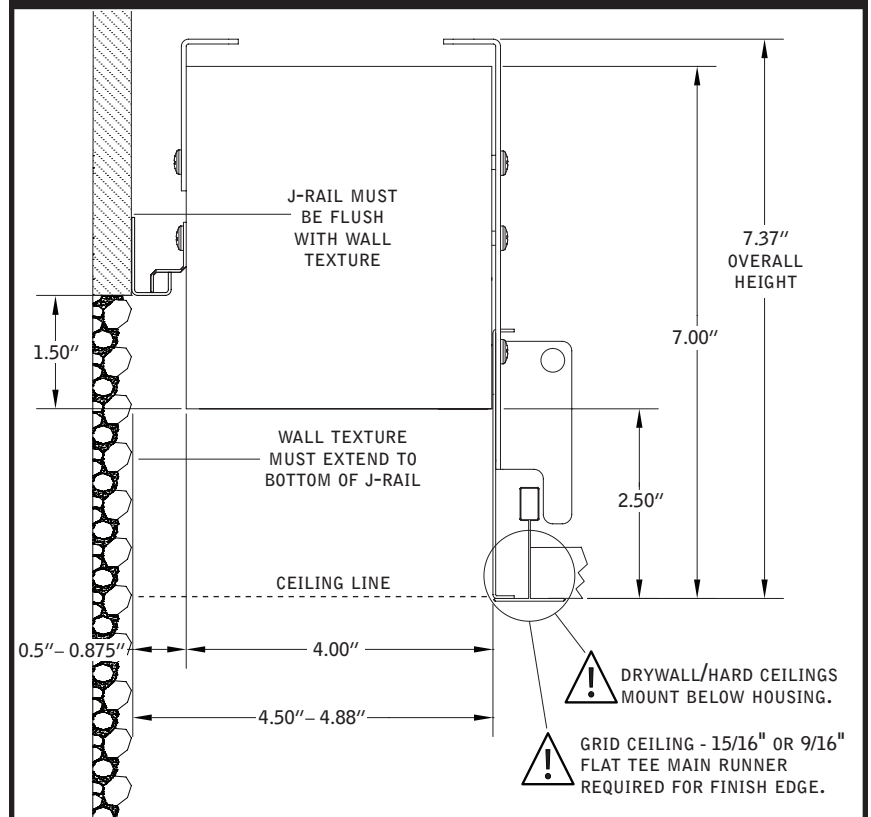
## PARTS LIST

- |  |                   |
|--|-------------------|
| 1 HOUSING  | 11 OUTSIDE CORNER |
| 2 SLIDING SLEEVE (SS)<br>(SHIPPED INSTALLED. SSB INDICATES<br>A SLIDING SLEEVE AT BOTH ENDS) | 12 INSIDE CORNER  |
| 3 J-RAIL   | 13 CORNER J-RAIL  |
| 4 FINISH PLATE   | 14 HARDWARE BAG   |
| 5 TIE-WIRE/GRID BRACKET  |                   |
| 6 TIE-WIRE BRACKET   | <b>BY OTHERS</b>  |
| 7 JOINER BRACKET   | <b>⚠</b>          |
| 8 JOINER BRACKET   | GRID CEILING -    |
| 9 LENS END PIECE   | 15/16" OR 9/16"   |
| 10 LENS TOOL   | FLAT TEE MAIN     |
|  | RUNNER REQUIRED   |
|  | FOR FINISH EDGE.  |

## HOUSING TYPES (4' SHOWN)



## WALL/CEILING PREP



Luminaires must be installed by a qualified electrician (check with local and national codes for proper installation).  
 To prevent electrical shock, disconnect electrical supply before installation or servicing.

**BASIC INSTALLATION  
STEPS 1-15**

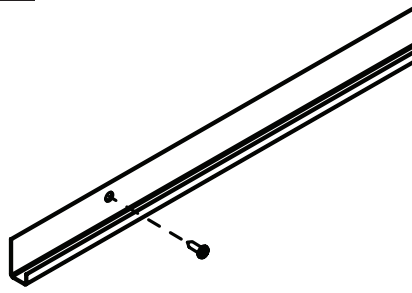
SLIDING SLEEVES SEE PG 3  
CORNERS SEE PG 4



FOCAL POINT RECOMMENDS  
STARTING WITH CORNER  
INSTALLATION IF APPLICABLE

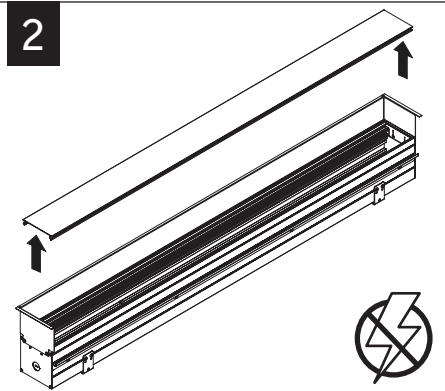
SLIDING SLEEVE PAIRS (SSB) START  
& END WITH A SLIDING SLEEVE

**1**



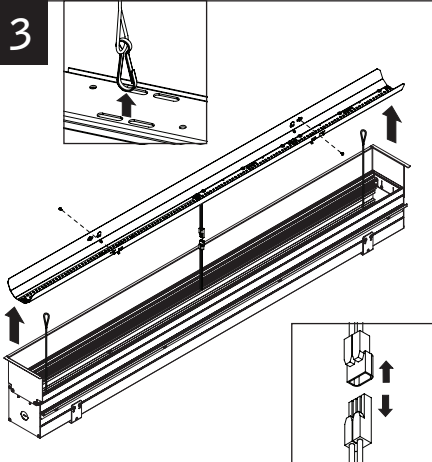
MOUNT J-RAIL TO WALL  
HARDWARE BY OTHERS

**2**



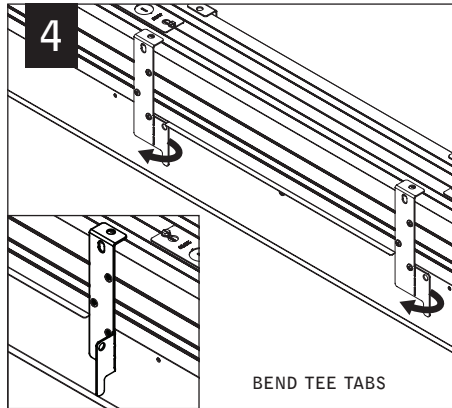
⚠️ AVOID ALL CONTACT WITH LED SURFACE,  
LEDs ARE EASILY DAMAGED!

**3**



**GRID**

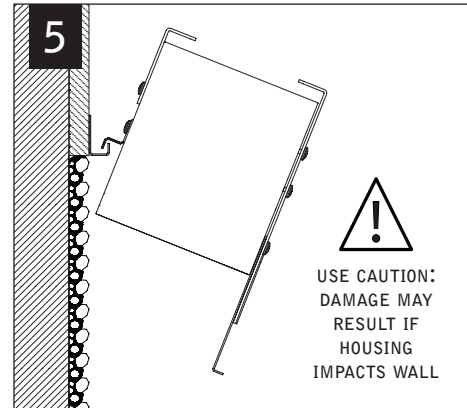
**4**



BEND TEE TABS

**DRYWALL/HARD CEILING**

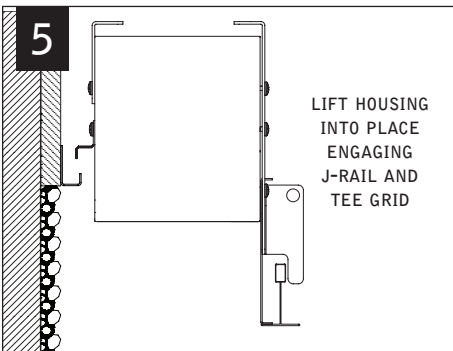
**5**



⚠️ USE CAUTION:  
DAMAGE MAY  
RESULT IF  
HOUSING  
IMPACTS WALL

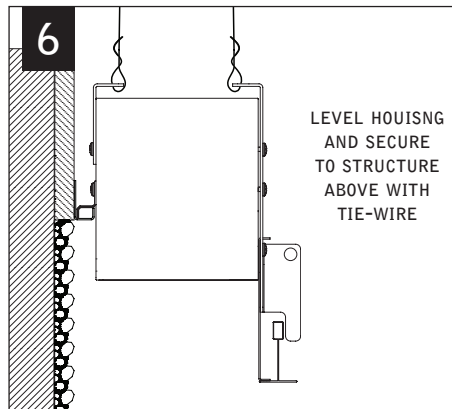
**GRID**

**5**



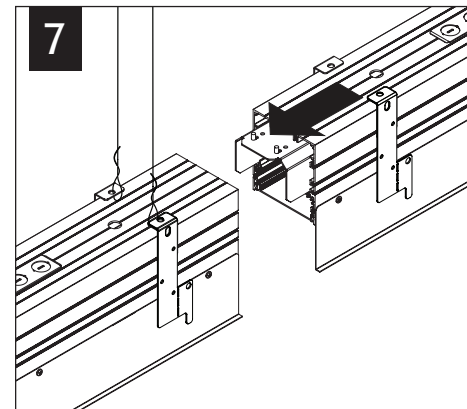
LIFT HOUSING  
INTO PLACE  
ENGAGING  
J-RAIL AND  
TEE GRID

**6**



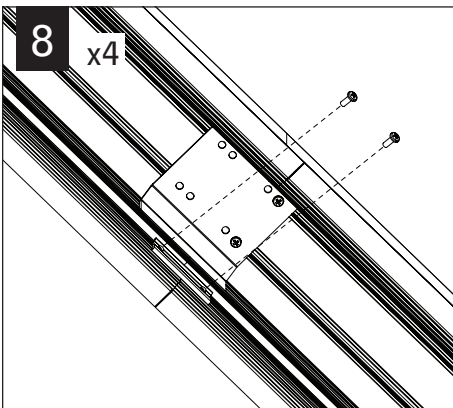
LEVEL HOUSING  
AND SECURE  
TO STRUCTURE  
ABOVE WITH  
TIE-WIRE

**7**



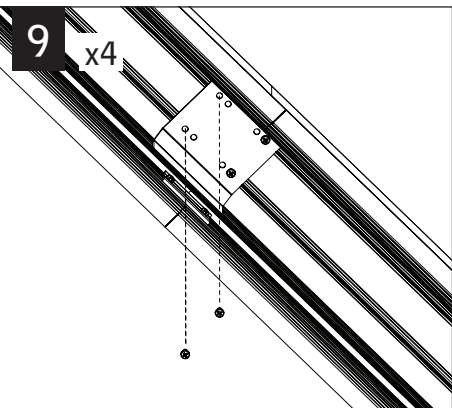
**8**

x4

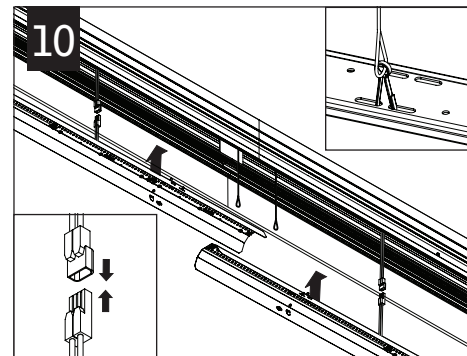


**9**

x4



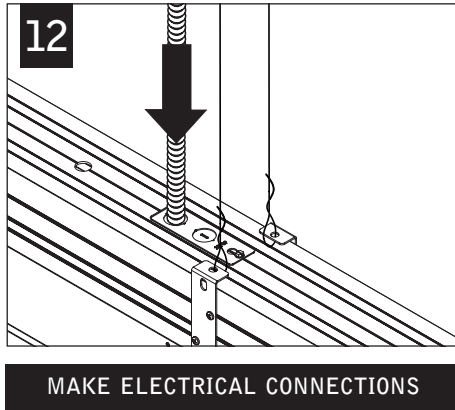
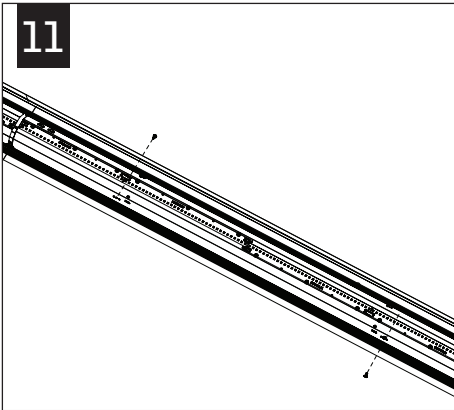
**10**



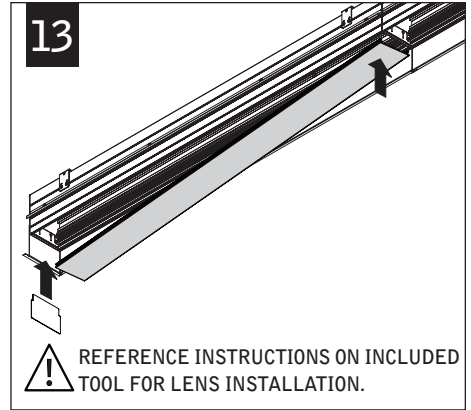
MAKE ELECTRICAL CONNECTIONS

REPEAT STEPS 2 - 11 FOR EACH HOUSING SECTION

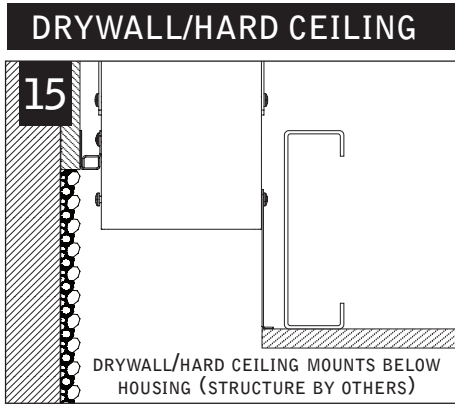
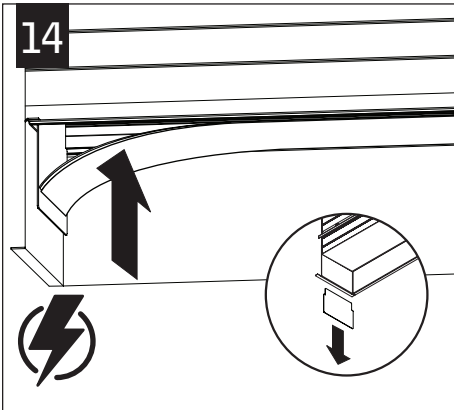
Luminaires must be installed by a qualified electrician (check with local and national codes for proper installation).  
To prevent electrical shock, disconnect electrical supply before installation or servicing.



**MAKE ELECTRICAL CONNECTIONS**



⚠ REFERENCE INSTRUCTIONS ON INCLUDED TOOL FOR LENS INSTALLATION.



**DRYWALL/HARD CEILING**

DRYWALL/HARD CEILING MOUNTS BELOW HOUSING (STRUCTURE BY OTHERS)

**EMERGENCY**

**I**

SEE BATTERY MANUFACTURER INSTRUCTIONS

EMERGENCY MAXIMUM MOUNTING HEIGHT:  
13.00'

**SLIDING SLEEVES**



MAX LENGTH 12" PER SLEEVE

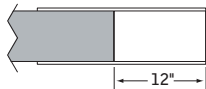


SLIDING SLEEVES & CORNERS DO NOT INTEGRATE

**SINGLE SLIDING SLEEVE (SS):**

EXAMPLE:

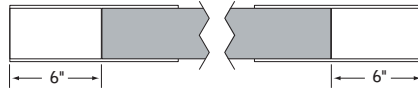
$$21' \text{ RUN LENGTH} - 20' \text{ HOUSING} = 12" \text{ SLIDING SLEEVE}$$



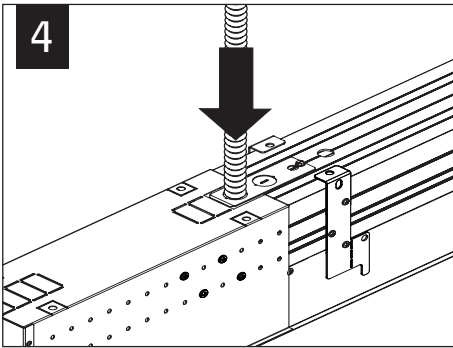
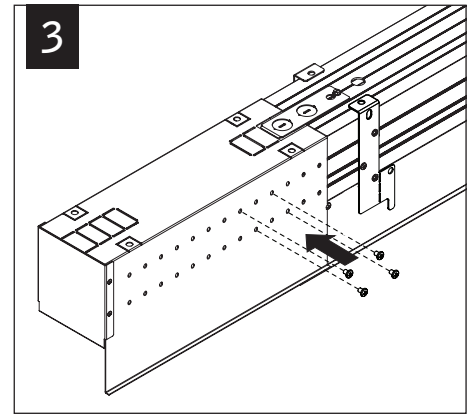
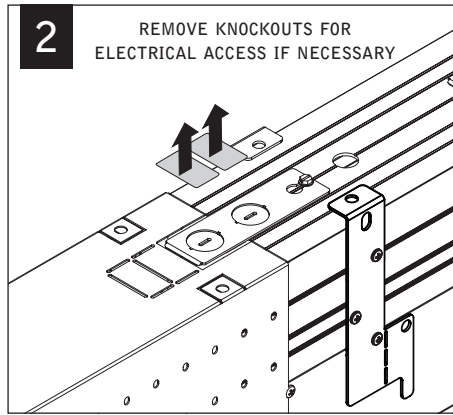
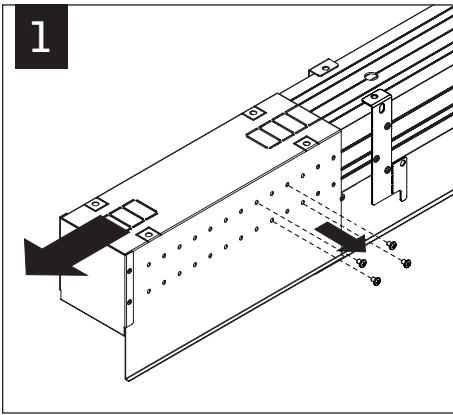
**SLIDING SLEEVE PAIR (SSB):**

EXAMPLE:

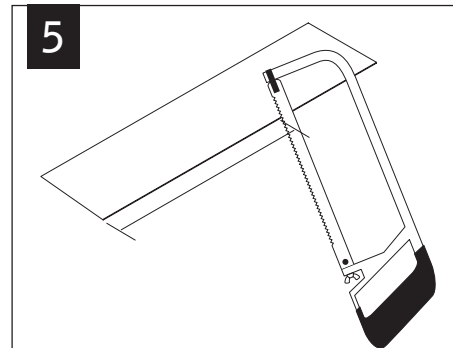
$$(21' \text{ RUN LENGTH} - 20' \text{ HOUSING}) / 2 = 6" \text{ SLIDING SLEEVE ON EACH END}$$



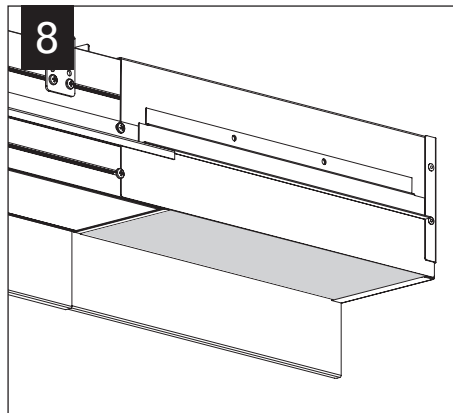
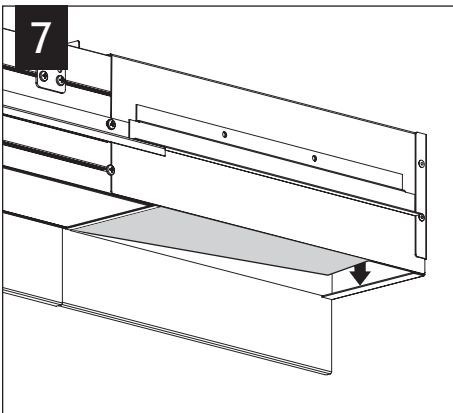
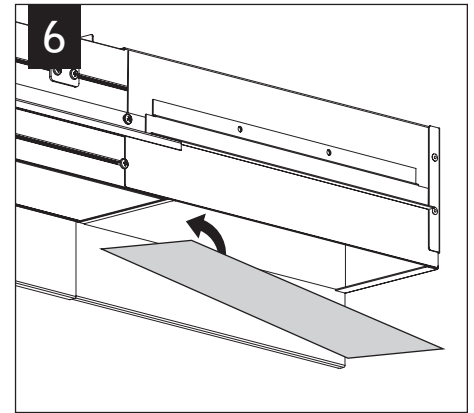
Luminaires must be installed by a qualified electrician (check with local and national codes for proper installation).  
To prevent electrical shock, disconnect electrical supply before installation or servicing.



MAKE ELECTRICAL CONNECTIONS

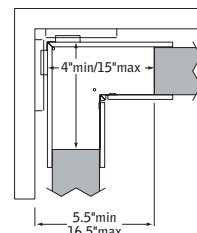


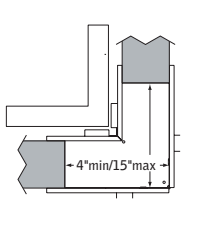
CUT FINISH PLATE TO DETERMINED LENGTH



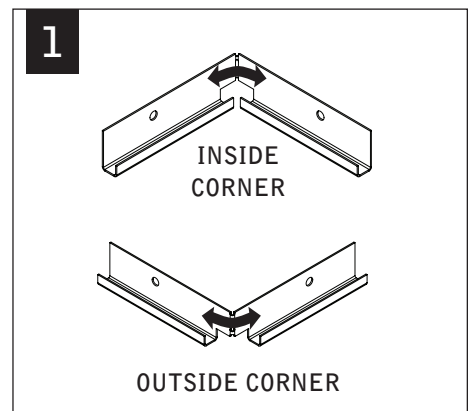
**CORNERS**

**!** 4" MIN / 16" MAX PER SIDE

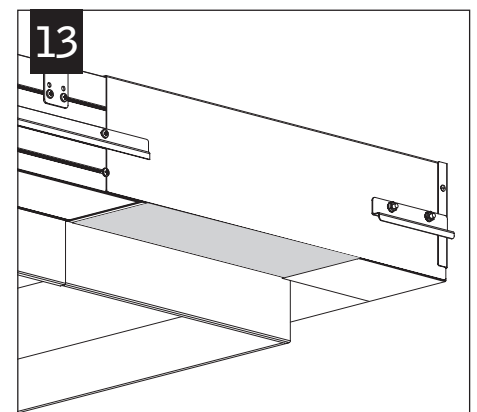
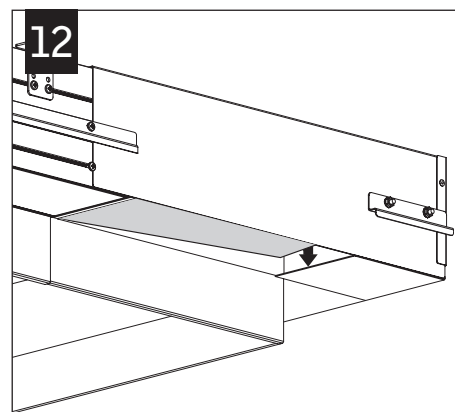
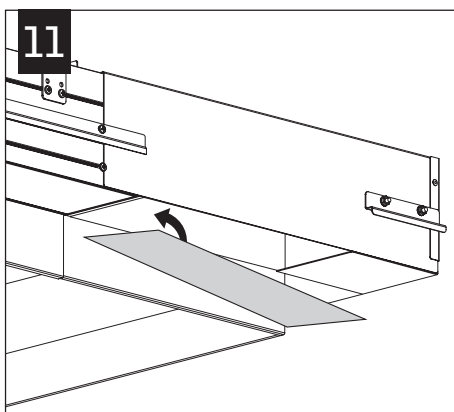
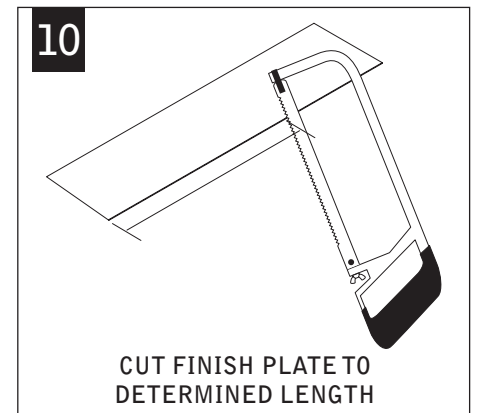
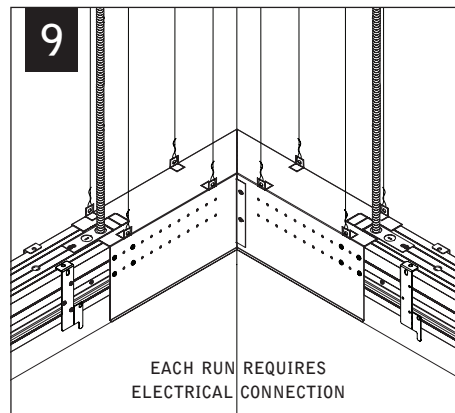
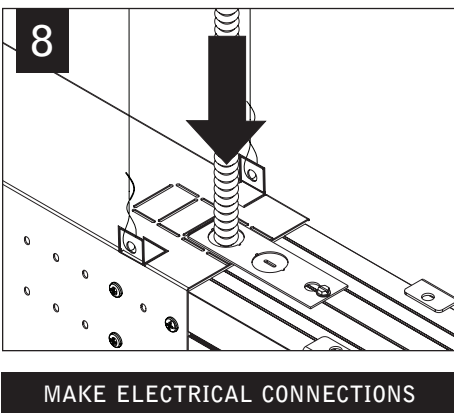
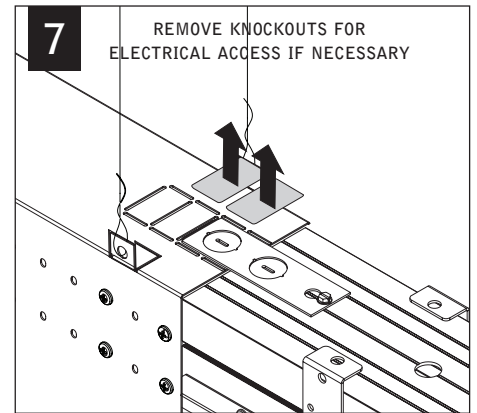
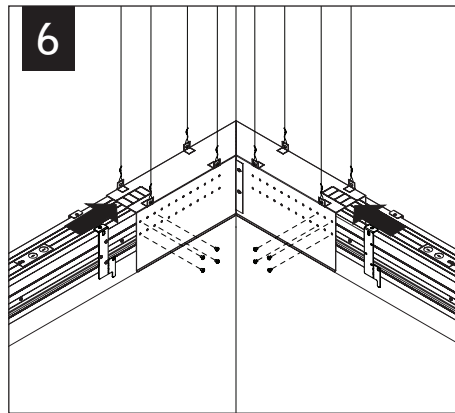
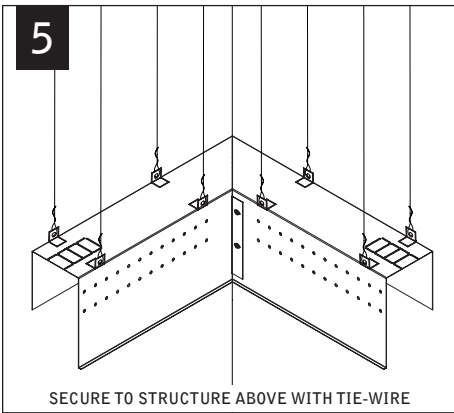
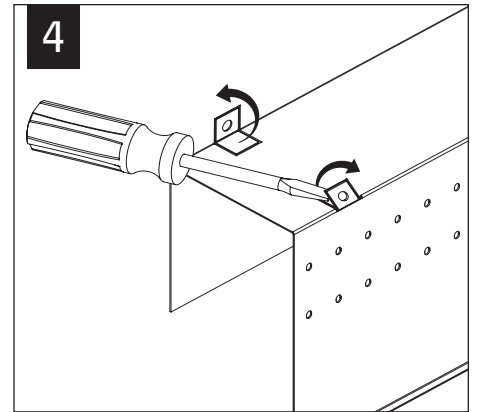
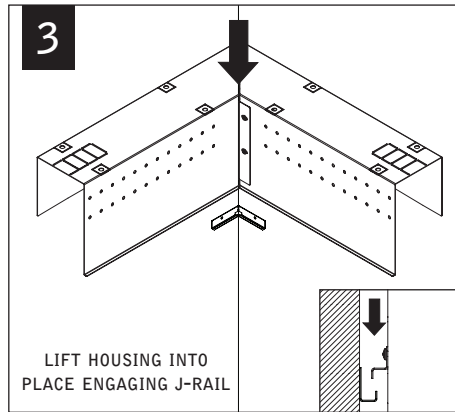
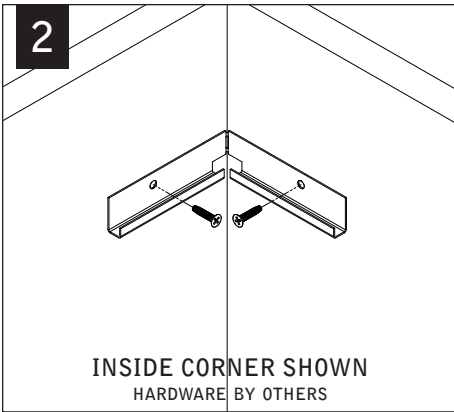
**INSIDE CORNER:** 

**OUTSIDE CORNER:** 

**!** CORNERS & SLIDING SLEEVES DO NOT INTEGRATE

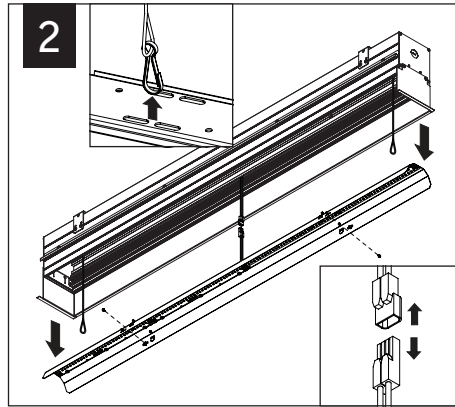
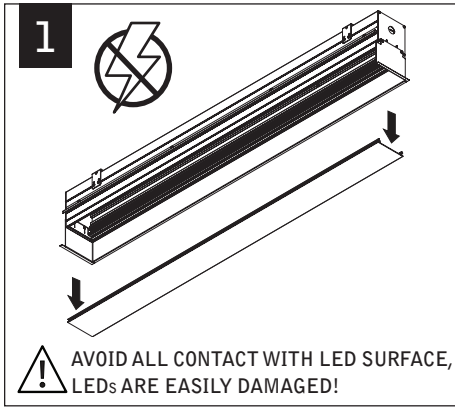


Luminaires must be installed by a qualified electrician (check with local and national codes for proper installation).  
To prevent electrical shock, disconnect electrical supply before installation or servicing.



Luminaires must be installed by a qualified electrician (check with local and national codes for proper installation).  
To prevent electrical shock, disconnect electrical supply before installation or servicing.

## DRIVER SERVICE



Contractor is responsible for adequately reinforcing walls and/or ceilings to support luminaire weight. Focal Point, LLC accepts no responsibility for inadequately reinforced walls and/or ceilings. The information contained in this drawing is the sole property of Focal Point, LLC. Any reproduction in part or whole without the written permission of Focal Point, LLC is prohibited.