

Polina™ Acoustic

SCONCE



FOCAL POINT®



27" Shown



Black



White



Palladium Silver



Pendant companion

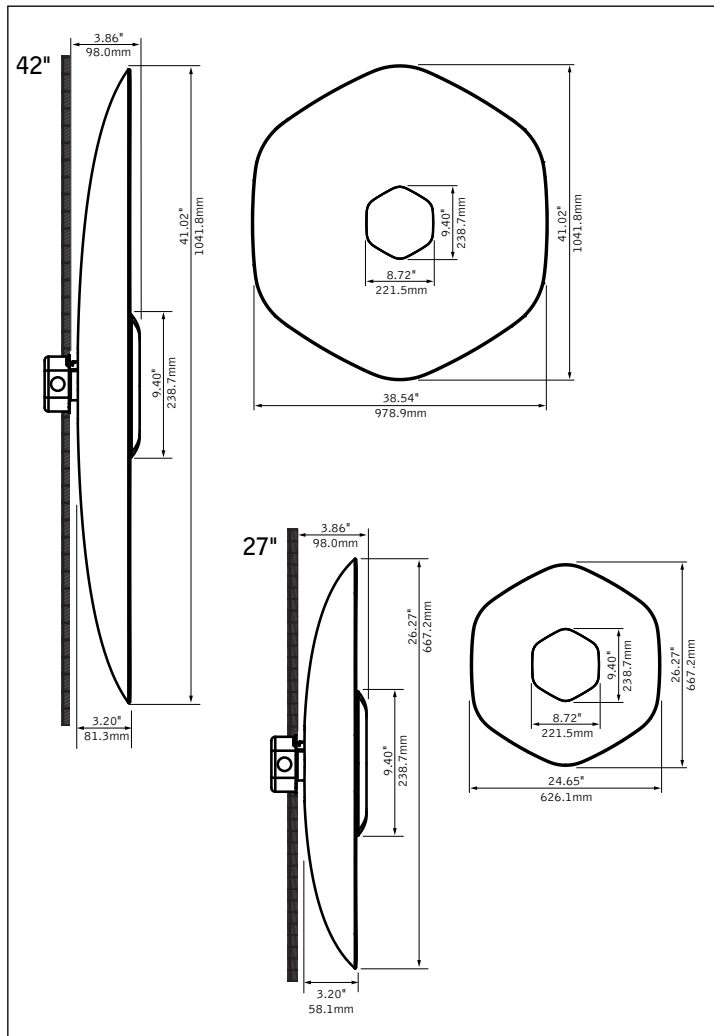


Unlit Pendant companion



Unlit wall mount companion

DIMENSIONAL DATA



FEATURES

ADA compliant, decorative hexagonal acoustic sconce with shade made of TriCore™ PET felt.

Available in two sizes: nominal 27" or 42" diameter, less than 4" thickness.

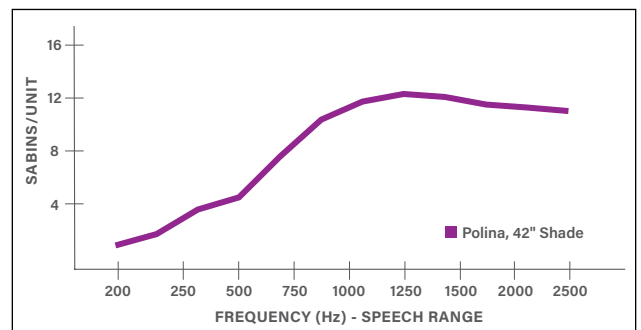
The patent-pending TriCore™ acoustic construction provides superior sound absorption over a wide range of frequencies and is eco-friendly.

Proprietary light engine and white reflector provide comfortable, indirect ambient illumination.

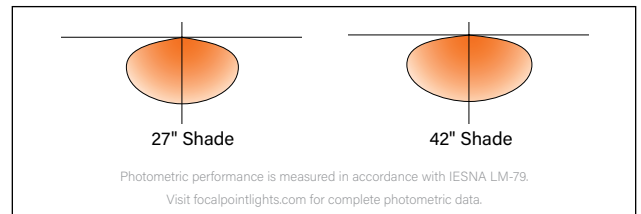
Five lumen outputs, up to 2285 lumens.

Unlit wall mount companion and lit or unlit pendant available.

ACOUSTIC PERFORMANCE



DISTRIBUTIONS



fixture:

project:

SCONCE SPECIFICATIONS

Acoustic Material

Content	Shade is 100% polyester containing up to 28.7% of recycled plastic bottles (PET felt). Constructed of ASTM E-84 Class A fire rated materials and is moisture resistant.
Cleaning and Care	Remove dust and debris with a clean, soft, lint-free cloth or vacuum
PET Thickness	4mm - 20mm variable across the shade
NRC & Sabins	Array NRC 0.55. Average Sabins per object 8.27 (ft ²) <small>*Averaged Sabins per object calculated at specific frequencies representing the human speech range (200-2500Hz)</small>

LED System

Proprietary LED module incorporates premium LEDs on a robust platform to achieve excellent thermal management. LEDs are placed to promote a uniform appearance. Available in 2700K, 3000K, 3500K or 4000K with both 80 and 90 CRI options. LED modules are replaceable from below. Color accuracy <3 SDCM.

Light Engine

9.4" diameter aluminum housing. Remove dust and debris with vacuum or dapping with damp lint free cloth, avoid rubbing to preserve illuminated surface quality. Weight: Luminaire will not exceed 10lbs. Wall/vertical mounting only. May not be ceiling mounted.

Electrical

Standard 120-277V driver includes 0-10V analog dimming. Power factor > .9.

Labels

UL and cUL listed. Suitable for Dry Locations, indoor use only.

Non-Acoustic Finishes

Polyester powder coat applied over a multi-stage pre-treatment.

Lumen Maintenance

Reported: L70 at >72,000 hours Calculated: L70 at 189,000 hours
Reported: L90 at >54,000 hours Calculated: L90 at 54,000 hours
Derived from EPA TM-21 calculator. Based on typical conditions, consult factory for additional data.

Reliability

At Focal Point, our products are designed to stand the test of time. Each luminaire is engineered using superior components, manufactured with the utmost care and rigorously tested. Contact us for reliability data.

Warranty

LED system rated for operation in ambient environments up to 25°C. 5-year limited warranty.

PERFORMANCE CHART

Lumen Output	Total System Watts	Shade Size	Delivered Lumens	LPW
Luminous Low (LLC)	4.4	27"	460	105
		42"	480	109
Low (LWC)	7.9	27"	720	91
		42"	760	96
Medium (MDC)	15.4	27"	1285	83
		42"	1350	88
High (HHC)	21.2	27"	1780	84
		42"	1870	88
Max (MXC)	25.2	27"	2180	87
		42"	2285	91

To match shade illuminance when pairing 27" and 42" shades together drop the 27" shade output down one lumen level. Based on 3500K, 80CRI. Lumen output may vary +/- 5%. Actual wattage may vary +/- 5%.

LUMEN MULTIPLIERS

CRI	CCT			
	2700K	3000K	3500K	4000K
80	0.93	0.96	1.00	1.02
90	0.79	0.82	0.85	0.87

Focal Point LLC reserves the right to change specifications for product improvement without notification.

ORDERING

Luminaire Series	Polina Acoustic Sconce	APOLC
Profile	Soft Hexagon	SHX
Size	Nominal 27" Shade Nominal 42" Shade	27 42
Shade Color	Silver Gray Exterior/White Interior <small>(Consult factory for made-to-order shade color)</small>	SLG-WH
Light Engine Profile	Soft Hexagon Shallow	SHXS
Shielding	Dust Cover	DC
Lumen Output	Luminous low Low Medium High Max	LLC LWC MDC HHC MXC
Color Temperature	2700K, 80CRI or 90 CRI 3000K, 80CRI or 90 CRI 3500K, 80CRI or 90 CRI 4000K, 80CRI or 90 CRI	27K or 927K 30K or 930K 35K or 935K 40K or 940K
Circuit	Single Circuit	1C
Voltage	120/277 UNV	UNV
Control System & Dimming Level	0-10V - 1% Dimming	L11
Power Configuration	Remote Power: Wall Mount <small>(Powers multiple units per box, requires RPS-POL.)</small>	RWM
Light Engine Finish	Matte Black Matte White Palladium Silver <small>(Includes visible stem between shade and light engine. Consult factory for custom colors)</small>	BK WH PS

fixture:

project:

REMOTE POWER SYSTEM SPECIFICATIONS

Construction

Flexible and modular plug and play remote power system. Open Ceiling (OC) remote power box is rated for surface or wall mount in non-recessed applications only Remote power box is easily installed in an open ceiling space or an adjacent electrical room with direct to strut and surface mounting features. Not to be installed in any recessed condition. Mud-In Drywall (XF) remote power box is Type IC inherently protected, suitable for direct contact with insulation. Decorative access plate is removable for ease of installation and maintenance.

Electrical

Standard 120-277V driver includes 0-10V analog dimming. Power factor > .9. 3-wire constant current architecture ensures uniform illumination to support any fixture spacing requirements. Low-voltage Class 2 cable wiring system easily daisy chains multiple fixtures and eliminates electrical conduit in open ceiling applications. CMP (Plenum rated) cable with UL94V-0 rated connectors.

Labels

UL and cUL listed. Suitable for Dry Locations, indoor use only.

Faceplate Finish

Polyester powder coat applied over a multi-stage pre-treatment.

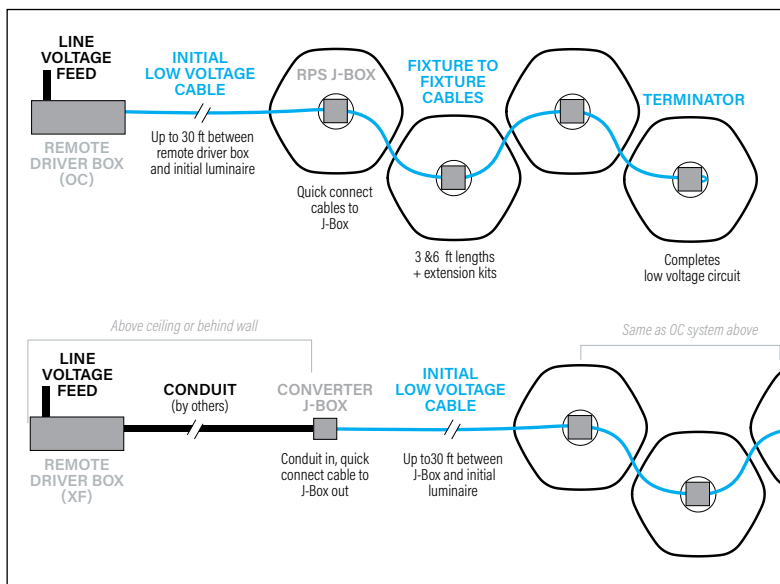
Reliability

At Focal Point, our products are designed to stand the test of time. Each luminaire is engineered using superior components, manufactured with the utmost care and rigorously tested. Contact us for reliability data.

Warranty

Open ceiling (OC) remote power box rated for ambient temperatures up to 40°C. Recessed ceiling (XF) remote power box rated for ambient temperatures up to 25°C. 5-year limited warranty.

BASIC SYSTEM DETAILS



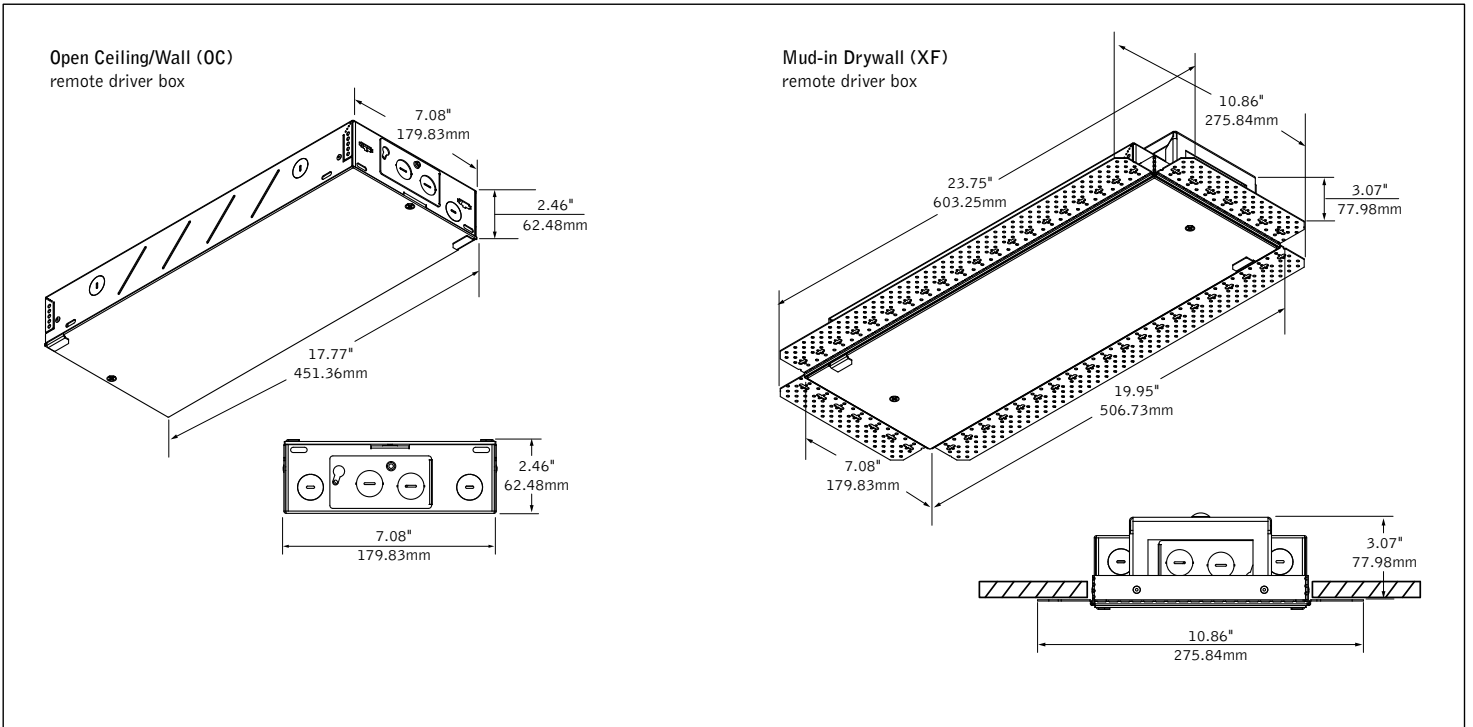
REMOTE POWER SYSTEM AVAILABILITY

Lumen Output	Luminaires per remote box	Drivers per remote box
Luminous Low (LLP)	1-19	1
	20-38	2
Low (LWP)	1-11	1
	12-22	2
Medium (MDP)	1-5	1
	6-10	2
High (HHP)	1-4	1
	5-8	2
Max (MXP)	1-3	1
	4-6	2

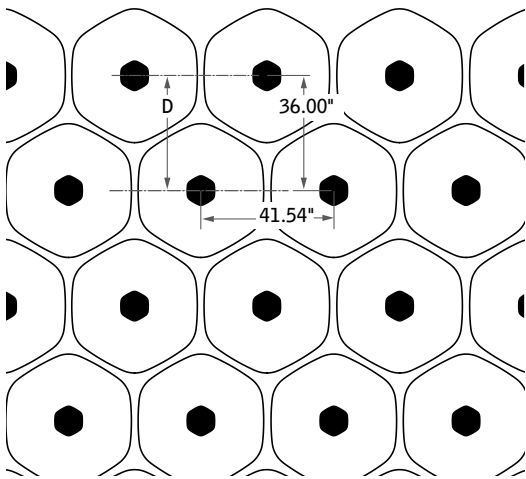
REMOTE POWER SYSTEM ORDERING

Remote Power System	RPSPOL	RSPOL
Polina	RSPOL	
Remote Box Mounting Type		
Open Ceiling/Wall <small>(not to be installed in any recessed conditions)</small>	OC	
Mud-In Drywall Ceiling <small>(IC rated)</small>	XF	
Mud-In Drywall Chicago Plenum <small>(IC rated)</small>	XFCP	
Quantity of Luminaires Powered		
<small>See offering table for availability</small>		
Qty of Luminaires		<u> </u> L
Initial Cable Length		
<small>Cable to first luminaire. Cables may not be cut to length in the field.</small>		
	9ft	9IC
	30ft	30IC
Fixture to Fixture Cable Length		
<small>Cables may not be cut to length in the field.</small>		
	3ft	3FC
	6ft	6FC
Lumen Output		
<small>Must match specified luminaires</small>		
Luminous low	LLC	
Low	LWC	
Medium	MDC	
High	HHC	
Max	MXC	
Circuit		1C
Single Circuit	1C	
Voltage		UNV
120/277 UNV	UNV	
Control System & Dimming Level		L11
0-10V - 1% Dimming	L11	
Remote Box Faceplate Color		
Matte Black	BK	
Matte White	WH	
Palladium Silver	PS	
REMOTE POWER SYSTEM CABLE EXTENSION KIT		
<small>Order additional cable lengths to extend the distance between fixtures. Cables may not be cut to length in field.</small>		
	3ft	RPS-KIT3
	6ft	RPS-KIT6

Remote Power System (RPS) details



Spacing guidelines



For even spacing between staggered rows of pendants as shown, the spacing along a line is dependent on the distance between the centerline of the rows, D.

The spacing along a line should be $2\sqrt{3}D/3 \sim 1.155 \cdot D$

42" Shade eg: D = 36", $2\sqrt{3}(36)/3 = 41.54"$

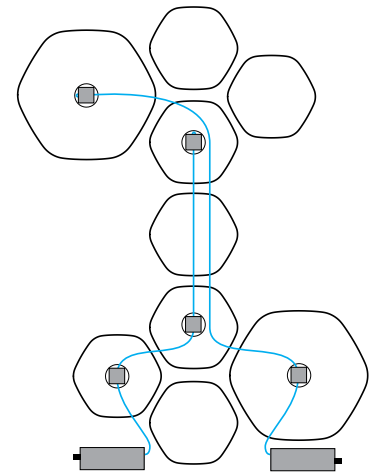
27" Shade eg: D = 24", $2\sqrt{3}(24)/3 = 27.68"$

Remote Power System Example



To match shade illuminance when pairing 27" and 42" shades together drop the 27" shade output down one lumen level.

Luminaires of different lumen outputs require dedicated remote power systems in order to supply the correct power to the luminaires.



SYSTEM COMPONENTS

- 1 - Remote Power System (42" output)
- 2 - 42" Polina Acoustic Sconce
- 1 - Remote Power System (27" output)
- 3 - 27" Polina Acoustic Sconce
- 4 - 27" Polina Acoustic Unlit Wall Mount