

Polina™ Acoustic

PENDANT



FOCAL POINT®



42" Shown



Profile detail



Shallow Canopy detail



Mini Power Canopy detail



Black



White



Palladium Silver



Sconce companion

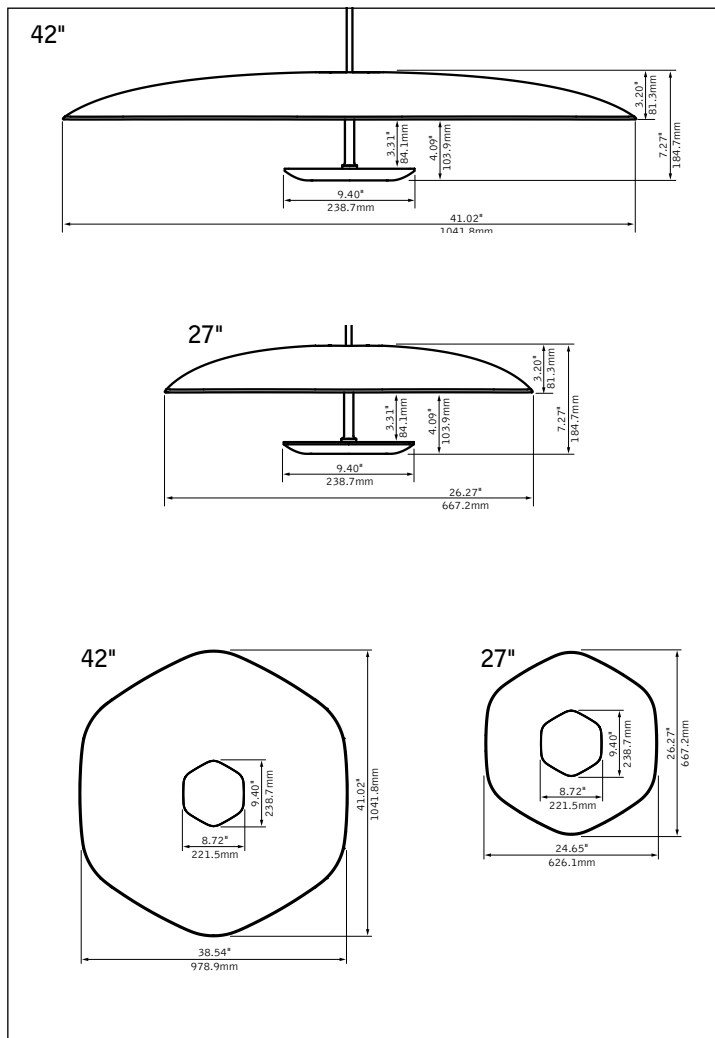


Unlit Pendant companion



Unlit wall mount companion

DIMENSIONAL DATA



FEATURES

Decorative hexagonal acoustic pendant with shade made of TriCore™ PET felt.

Available in two sizes: nominal 27" or 42" diameter, 8" height.

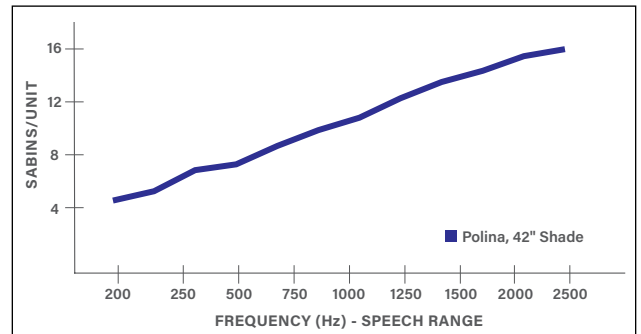
The patent-pending TriCore™ acoustic construction provides superior sound absorption over a wide range of frequencies and is eco-friendly.

Proprietary light engine and white reflector provide comfortable, indirect ambient illumination.

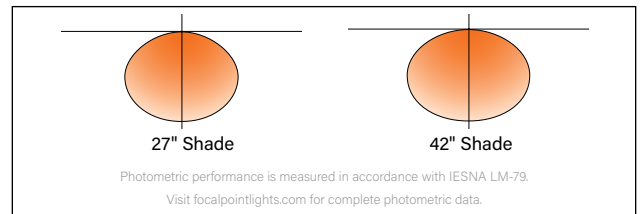
Five lumen outputs, up to 2850 lumens.

Unlit pendant and lit or unlit wall mount companion available.

ACOUSTIC PERFORMANCE



DISTRIBUTIONS



fixture:

project:

PENDANT SPECIFICATIONS

Acoustic Material

Content	Shade is 100% polyester containing up to 28.7% of recycled plastic bottles (PET felt). Constructed of ASTM E-84 Class A fire rated materials and is moisture resistant.
Cleaning and Care	Remove dust and debris with a clean, soft, lint-free cloth or vacuum
PET Thickness	4mm - 20mm variable across the shade
NRC & Sabins	Array NRC 0.70. Average Sabins per object 10.52 (ft ²)* <small>*Averaged Sabins per object calculated at specific frequencies representing the human speech range (200-2500Hz)</small>

LED System

Proprietary LED module incorporates premium LEDs on a robust platform to achieve excellent thermal management. LEDs are placed to promote a uniform appearance. Available in 2700K, 3000K, 3500K or 4000K with both 80 and 90 CRI options. LED modules are replaceable from below. Color accuracy <3 SDCM.

Light Engine

9.4" diameter aluminum housing. Remove dust and debris with vacuum or dapping with damp lint free cloth, avoid rubbing to preserve illuminated surface quality. Weight: Luminaire will not exceed 14lbs.

Electrical

Standard 120-277V driver includes 0-10V analog dimming. Power factor > .9.

Emergency Battery

Remote power system only. One luminaire per remote box. Emergency output —10W for 90 minutes. Maximum luminiare mounting height is 14.75ft AFF.

Labels

UL and cUL listed. Suitable for Dry Locations, indoor use only.

Non-Acoustic Finishes

Polyester powder coat applied over a multi-stage pre-treatment.

Lumen Maintenance

Reported: L70 at >72,000 hours Calculated: L70 at 193,000 hours
Reported: L90 at >55,000 hours Calculated: L90 at 55,000 hours
Derived from EPA TM-21 calculator. Based on typical conditions, consult factory for additional data.

Reliability

At Focal Point, our products are designed to stand the test of time. Each luminaire is engineered using superior components, manufactured with the utmost care and rigorously tested. Contact us for reliability data.

Warranty

LED system rated for operation in ambient environments up to 25°C. 5-year limited warranty.

PERFORMANCE CHART

Lumen Output	Total System Watts	Shade Size	Delivered Lumens	LPW
Luminous Low (LLP)	4.4	27"	500	114
		42"	600	136
Low (LWP)	7.9	27"	870	110
		42"	950	120
Medium (MDP)	15.4	27"	1550	101
		42"	1685	109
High (HHP)	21.2	27"	2150	101
		42"	2335	110
Max (MXP)	25.2	27"	2630	104
		42"	2850	113

To match shade illuminance when pairing 27" and 42" shades together drop the 27" shade output down one lumen level. Based on 3500K, 80CRI. Lumen output may vary +/- 5%. Actual wattage may vary +/- 5%.

LUMEN MULTIPLIERS

CRI	CCT			
	2700K	3000K	3500K	4000K
80	0.93	0.96	1.00	1.02
90	0.79	0.82	0.85	0.87

ORDERING

Luminaire Series	APOLP	APOLP
Polina Acoustic Pendant	APOLP	
Shade Profile	SHX	SHX
Soft Hexagon	SHX	
Shade Size		
Nominal 27" Shade	27	
Nominal 42" Shade	42	
Shade Color	SLG-WH	SLG-WH
Silver Gray Exterior/White Interior	SLG-WH	
<small>(Consult factory for made-to-order shade color)</small>		
Light Engine Profile	SHXT	SHXT
Soft Hexagon Standard	SHXT	
Shielding	DC	DC
Dust Cover	DC	
Lumen Output		
Luminous low	LLP	
<small>(Remote Power, RSC only)</small>		
Low	LWP	
Medium	MDP	
High	HHP	
Max	MXP	
Color Temperature		
2700K, 80CRI or 90 CRI	27K or 927K	
3000K, 80CRI or 90 CRI	30K or 930K	
3500K, 80CRI or 90 CRI	35K or 935K	
4000K, 80CRI or 90 CRI	40K or 940K	
Circuit	1C	1C
Single Circuit	1C	
Voltage	UNV	UNV
120/277 UNV	UNV	
Control System & Dimming Level	L11	L11
0-10V - 1% Dimming	L11	
Power Configuration		
Integrated Power: Mini Power Canopy	MPC	
<small>(Powers 1 unit, mounted to J-box. See page 5 for details.)</small>		
Remote Power: Shallow Canopies	RSC	
<small>(Powers multiple units per box, requires RPS-POL.)</small>		
Canopy Color		
<small>(Consult factory for custom colors)</small>		
Matte Black	BK	
Matte White	WH	
Palladium Silver	PS	
Mounting		
<small>Stem length measured from the j-box to the bottom of the light engine</small>		
12", Field Cuttable Stem	S12	
24", Field Cuttable Stem	S24	
60", Field Cuttable Stem	S60	
1'-6' in 1' increments, Field Cuttable Stem	S_	
<small>(Specify in inches, example: 6' stem = S72)</small>		
Suspension Color		
Matte Black	BK	
Matte White	WH	
Palladium Silver	PS	
Light Engine Finish		
<small>(Includes visible stem between shade and light engine. Consult factory for custom colors)</small>		
Matte Black	BK	
Matte White	WH	
Palladium Silver	PS	
Factory Options		
Top View Cover Plate	TC	

fixture:

project:

REMOTE POWER SYSTEM SPECIFICATIONS

Construction

Flexible and modular plug and play remote power system. Open Ceiling (OC) remote power box is rated for surface mount (wall or ceiling) or strut mount in open ceiling applications. Remote power box is easily installed in an open ceiling space or an adjacent electrical room with direct to strut and surface mounting features. Not to be installed in any recessed condition. Mud-In Drywall (XF) remote power box is Type IC inherently protected, suitable for direct contact with insulation. Decorative access plate is removable for ease of installation and maintenance.

Electrical

Standard 120-277V driver includes 0-10V analog dimming. Power factor > .9. 3-wire constant current architecture ensures uniform illumination to support any fixture spacing requirements. Low-voltage Class 2 cable wiring system easily daisy chains multiple fixtures and eliminates electrical conduit in open ceiling applications. CMP (Plenum rated) cable with UL94V-0 rated connectors.

Emergency Battery

Emergency output —10W for 90 minutes. One luminaire per emergency remote box. Maximum luminaire mounting height is 14.75ft AFF.

Labels

UL and cUL listed. Suitable for Dry Locations, indoor use only.

Faceplate Finish

Polyester powder coat applied over a multi-stage pre-treatment.

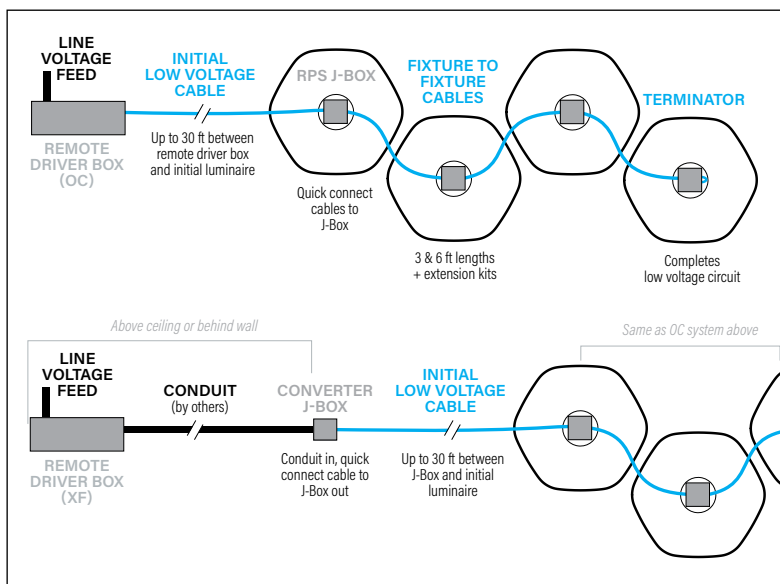
Reliability

At Focal Point, our products are designed to stand the test of time. Each luminaire is engineered using superior components, manufactured with the utmost care and rigorously tested. Contact us for reliability data.

Warranty

Open ceiling (OC) remote power box rated for ambient temperatures up to 40°C. Recessed ceiling (XF) remote power box rated for ambient temperatures up to 25°C. 5-year limited warranty.

BASIC SYSTEM DETAILS



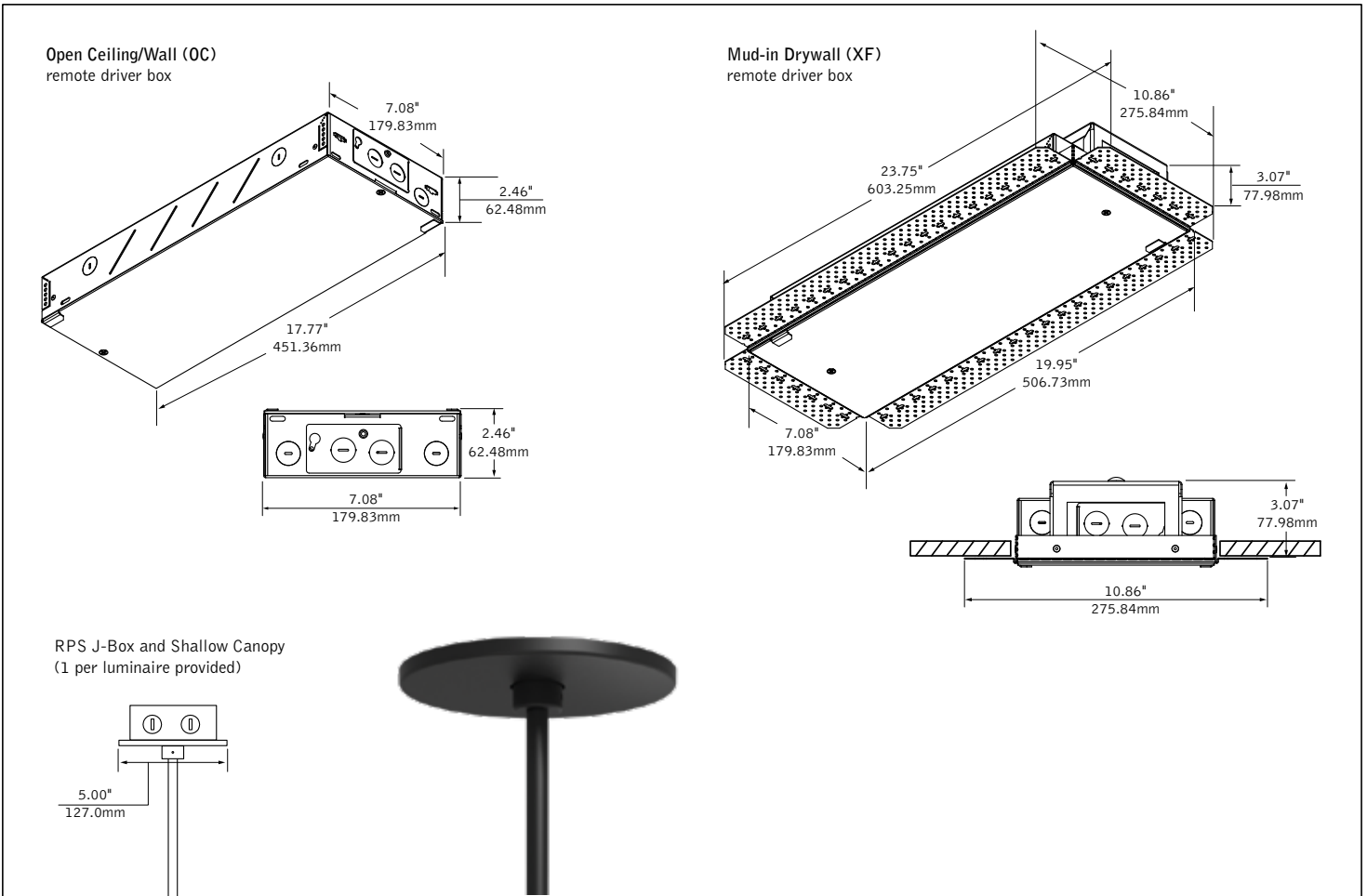
REMOTE POWER SYSTEM AVAILABILITY

Lumen Output	Luminaires per remote box	Drivers per remote box
Luminous Low (LLP)	1-19	1
	20-38	2
Low (LWP)	1-11	1
	12-22	2
Medium (MDP)	1-5	1
	6-10	2
High (HHP)	1-4	1
	5-8	2
Max (MXP)	1-3	1
	4-6	2

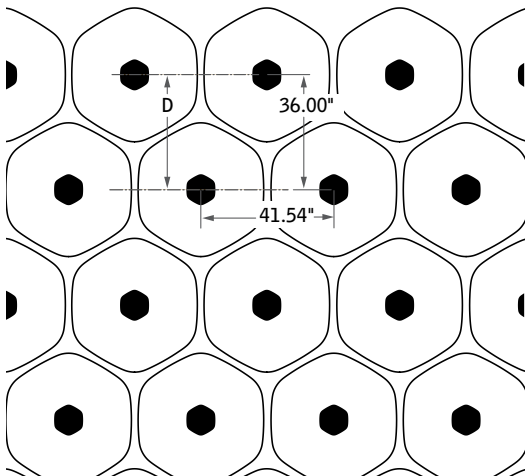
REMOTE POWER SYSTEM ORDERING

Remote Power System	Polina	RPSPOL	_____
Remote Box Mounting Type			_____
Open Ceiling <small>(not to be installed in any recessed conditions)</small>	OC		
Mud-In Drywall Ceiling <small>(IC rated)</small>	XF		
Mud-In Drywall Chicago Plenum <small>(IC rated)</small>	XFCP		
Quantity of Luminaires Powered			_____
<small>See offering table for availability</small>			
Qty of Luminaires		__L	
Initial Cable Length			_____
<small>Cable to first luminaire. Cables may not be cut to length in the field.</small>			
	9ft	9IC	
	30ft	30IC	
Fixture to Fixture Cable Length			_____
<small>Cables may not be cut to length in the field.</small>			
	3ft	3FC	
	6ft	6FC	
Lumen Output			_____
<small>Must match specified luminaires</small>			
Luminous low	LLP		
Low	LWP		
Medium	MDP		
High	HHP		
Max	MXP		
Circuit			_____
Single Circuit	1C		
Voltage			_____
120/277 UNV	UNV		
Control System & Dimming Level			_____
0-10V - 1% Dimming	L11		
Factory Options			_____
Remote Emergency Battery	EMR		
<small>One luminaire per Emergency Remote Box.</small>			
Remote Box Faceplate Color			_____
Matte Black	BK		
Matte White	WH		
Palladium Silver	PS		
Canopy Type			_____
Shallow Canopy	SC		
Canopy Color			_____
Matte Black	BK		
Matte White	WH		
Palladium Silver	PS		
REMOTE POWER SYSTEM CABLE EXTENSION KIT			_____
<small>Order additional cable lengths to extend the distance between fixtures. Cables may not be cut to length in field.</small>			
	3ft	RPS-KIT3	
	6ft	RPS-KIT6	

Remote Power System (RPS) details



Spacing guidelines



For even spacing between staggered rows of pendants as shown, the spacing along a line is dependent on the distance between the centerline of the rows, D.

The spacing along a line should be $2\sqrt{3}D/3 \sim 1.155 \cdot D$

42" Shade eg: $D = 36"$, $2\sqrt{3}(36")/3 = 41.54"$

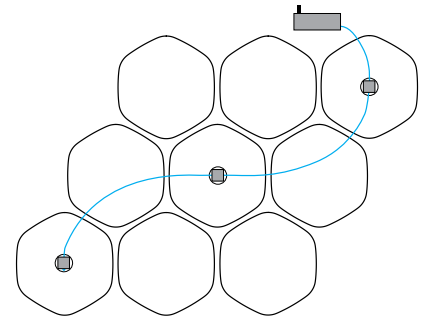
27" Shade eg: $D = 24"$, $2\sqrt{3}(24")/3 = 27.68"$

Remote Power System Example



To match shade illuminance when pairing 27" and 42" shades together drop the 27" shade output down one lumen level.

Luminaires of different lumen outputs require dedicated remote power systems in order to supply the correct power to the luminaires.



SYSTEM COMPONENTS

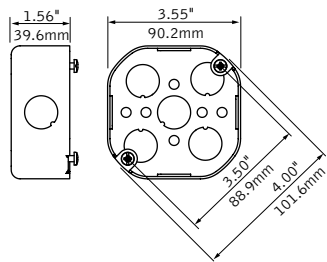
- 1 - Remote Power System
- 3 - 42" Polina Acoustic Pendant
- 6 - 42" Polina Acoustic Unlit Pendant

Also pictured: 27" Polina Acoustic Pendants.

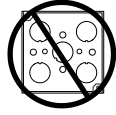
MPC - Mini Power Canopy

Indicates Driver Location

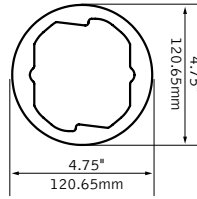
4" Octagonal J-Box required (By others)



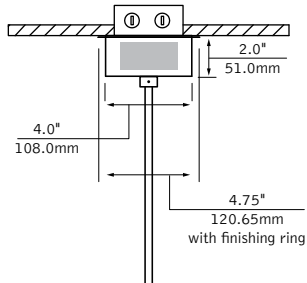
Not Compatible with
4" Square J-Box



Optional finishing ring Recommended for recessed J-Box installs



Recessed J-Box



Surface mounted J-Box

