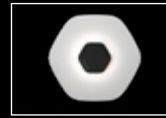


Polina™ Acoustic

UNLIT WALL MOUNT



27" Shown



Sconce companion

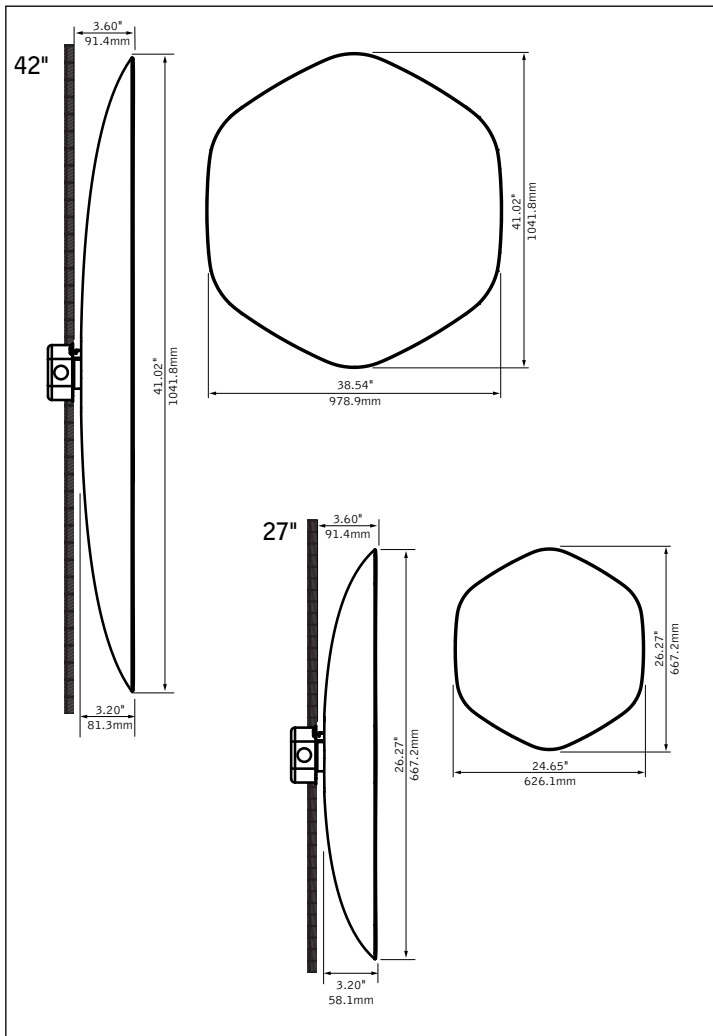


Pendant companion



Unlit Pendant companion

DIMENSIONAL DATA



FEATURES

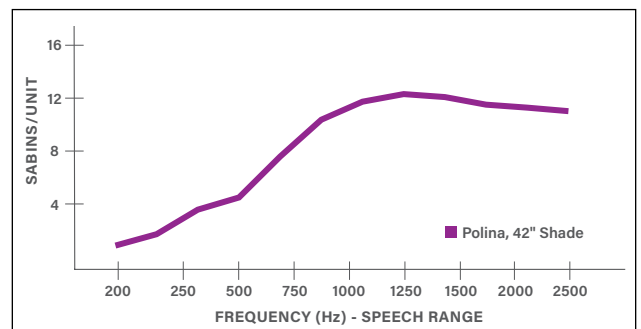
ADA compliant, decorative acoustic hexagon made of TriCore™ PET felt.

Available in two sizes: nominal 27" or 42" diameter, less than 4" thickness.

The patent-pending TriCore™ acoustic construction provides superior sound absorption over a wide range of frequencies and is eco-friendly.

Wall mount companion sconce and lit or unlit pendant available.

ACOUSTIC PERFORMANCE



fixture:

project:

SPECIFICATIONS

Acoustic Material

Content	Shade is 100% polyester containing up to 28.7% of recycled plastic bottles (PET felt). Constructed of ASTM E-84 Class A fire rated materials and is moisture resistant.
Cleaning and Care	Remove dust and debris with a clean, soft, lint-free cloth or vacuum
PET Thickness	4mm - 20mm variable across the shade
NRC & Sabins	Array NRC 0.55. Average Sabins per object 8.27 (ft ²)* <small>*Averaged Sabins per object calculated at specific frequencies representing the human speech range (200-2500Hz)</small>

Mounting

Fixture will not exceed 8lb. Wall/vertical mounting only. May not be ceiling mounted.

Labels

Suitable for Dry Locations, indoor use only.

Non-Acoustic Finishes

Polyester powder coat applied over a multi-stage pre-treatment.

Reliability

At Focal Point, our products are designed to stand the test of time. Each luminaire is engineered using superior components, manufactured with the utmost care and rigorously tested. Contact us for reliability data.

Warranty

One-year limited warranty.

ORDERING

Luminaire Series		<u>AUPOLC</u>
Polina Unlit Wall Mount	AUPOLC	
Shade Profile		<u>SHX</u>
Soft Hexagon	SHX	
Shade Size		<u> </u>
Nominal 27" Shade	27	
Nominal 42" Shade	42	
Shade Color		<u>SLG-WH</u>
Silver Gray Exterior/White Interior	SLG-WH	
<small>(Consult factory for made-to-order shade color)</small>		
Mounting		<u>WM</u>
Wall Mount	WM	