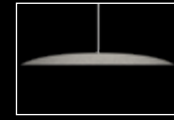


Polina™ Acoustic

UNLIT



42" Shown



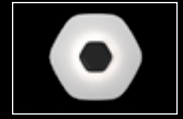
Profile detail



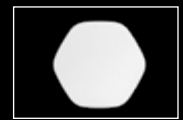
Canopy detail



Pendant companion

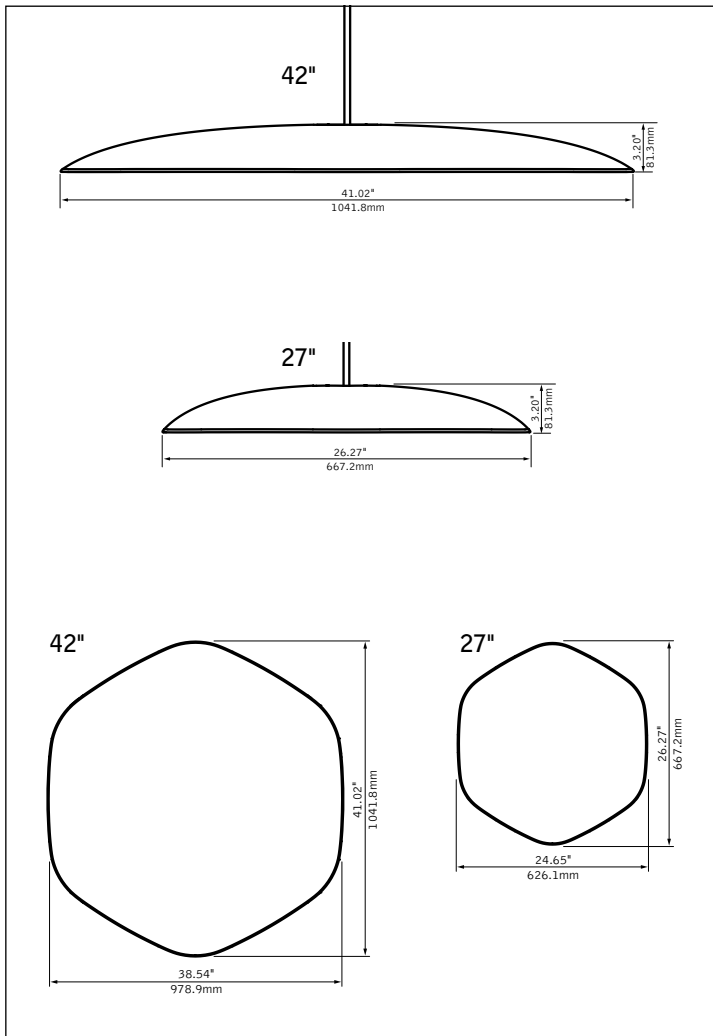


Sconce companion



Unlit wall mount companion

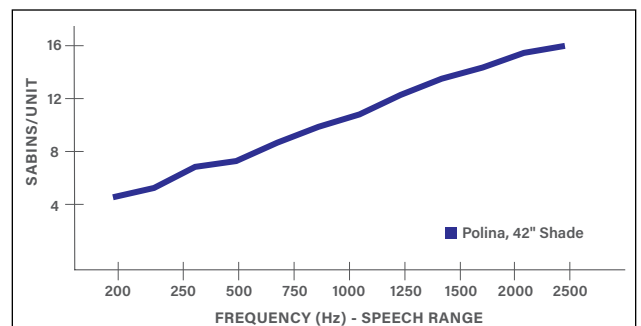
DIMENSIONAL DATA



FEATURES

Decorative hexagonal acoustic shade made of TriCore™ PET felt. Available in two sizes: nominal 27" or 42" diameter, 4" height. The patent-pending TriCore™ acoustic construction provides superior sound absorption over a wide range of frequencies and is eco-friendly. Lit pendant and lit or unlit wall mount companion available.

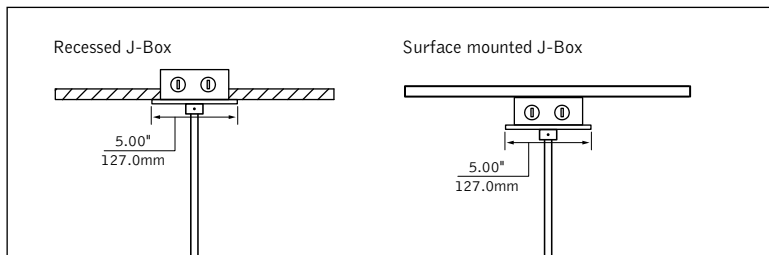
ACOUSTIC PERFORMANCE



fixture:

project:

MOUNTING DETAILS



SPECIFICATIONS

Acoustic Material

Content	Shade is 100% polyester containing up to 28.7% of recycled plastic bottles (PET felt). Constructed of ASTM E-84 Class A fire rated materials and is moisture resistant.
Cleaning and Care	Remove dust and debris with a clean, soft, lint-free cloth or vacuum
PET Thickness	4mm - 20mm variable across the shade
NRC & Sabins	Array NRC 0.70. Average Sabins per object 10.52 (ft ²) <small>*Averaged Sabins per object calculated at specific frequencies representing the human speech range (200-2500Hz)</small>

Weight

Will not exceed 12lb.

Labels

Suitable for Dry Locations, indoor use only.

Non-Acoustic Finishes

Polyester powder coat applied over a multi-stage pre-treatment.

Reliability

At Focal Point, our products are designed to stand the test of time. Each luminaire is engineered using superior components, manufactured with the utmost care and rigorously tested. Contact us for reliability data.

Warranty

One-year limited warranty.

ORDERING

Luminaire Series	AUPOLP
Polina Unlit Acoustic Pendant	AUPOLP
Shade Profile	SHX
Soft Hexagon	SHX
Shade Size	
Nominal 27" Shade	27
Nominal 42" Shade	42
Shade Color	SLG-WH
Silver Gray Exterior/White Interior <small>(Consult factory for made-to-order shade color)</small>	SLG-WH
Canopy Configuration	SC
Shallow Canopy	SC
Canopy Color <small>(Consult factory for custom colors)</small>	
Matte Black	BK
Matte White	WH
Palladium Silver	PS
Mounting	
<small>Stem length supplied is 6" shorter than specified to allow for level mounting with lit pendant</small>	
12", Field Cuttable Stem	S12
24", Field Cuttable Stem	S24
60", Field Cuttable Stem	S60
1'-6' in 1' increments, Field Cuttable Stem	S_
<small>(Specify in inches, example: 6' stem = S72)</small>	
Suspension Color	
Matte Black	BK
Matte White	WH
Palladium Silver	PS
Factory Options	
Top View Cover Plate	TC