

Blume® 3

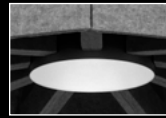
DECORATIVE LED PENDANT



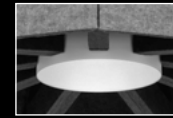
FOCAL POINT®



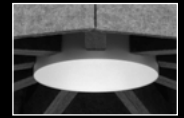
100's of customizable color combinations



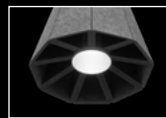
Black trim detail



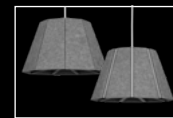
White trim detail



Palladium Silver trim detail



Solid shade detail from below

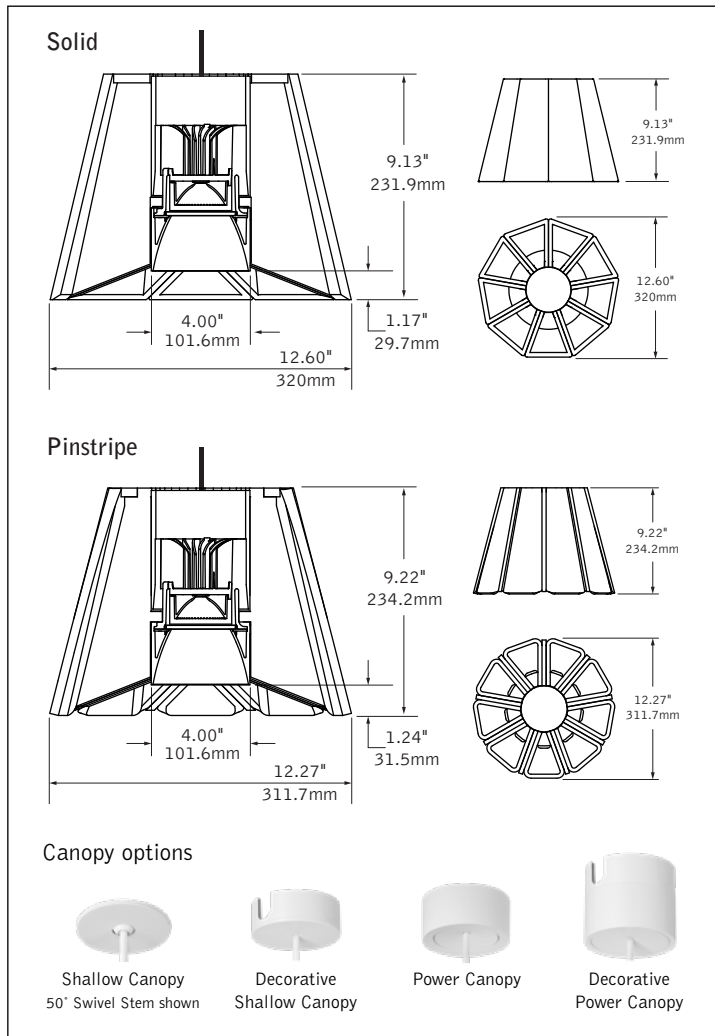


Blume 4 companions



Cylinder companions

DIMENSIONAL DATA (continued on page 4)



FEATURES

Nominal 12" diameter decorative PET felt shaded pendant.

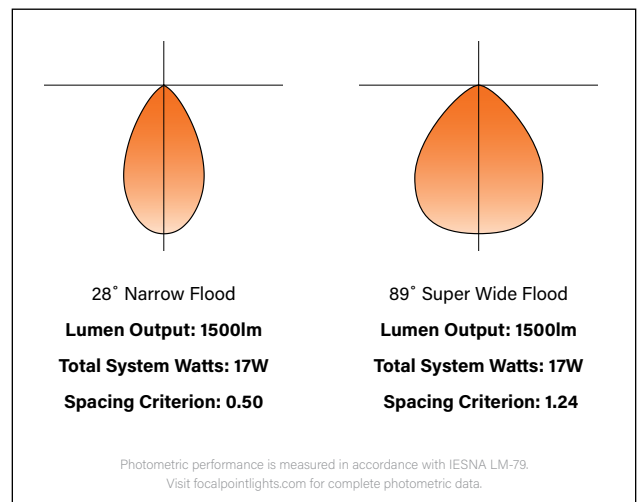
Wide range of color options provides design flexibility and personalization for any project.

Optional Pinstripe detail may be specified in any of the available colors.

50° cut-off available with Solite lens for brightness control and visual comfort.

50° and 80° cut-off available for optimal visual comfort.

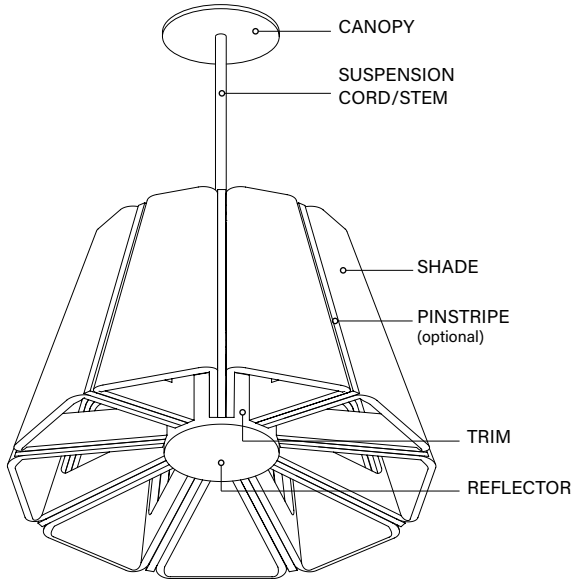
PERFORMANCE



Decorative Finishes



Finish Diagram



Canopy/Stem/Trim Paint Finishes

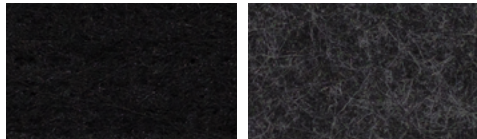


Cord Colors

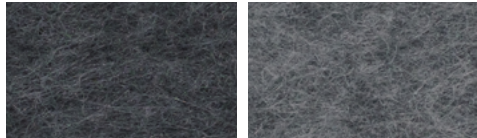


PET Material

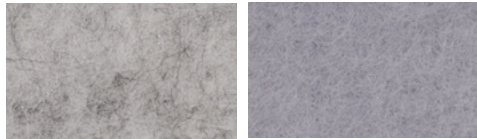
STANDARD COLORS



PURE BLACK **PBK** CHARCOAL GRAY **CHG**



SLATE **SLT** SHADOW GRAY **SDG**



SILVER GRAY **SLG** PEARL ICE **PIC**

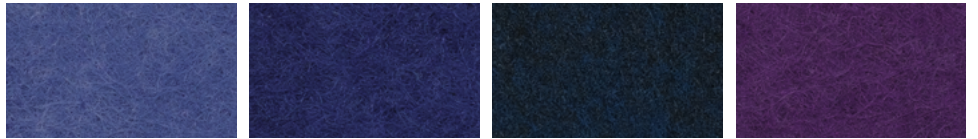


CLASSIC WHITE **CWH** NATURAL LINEN **NTL**

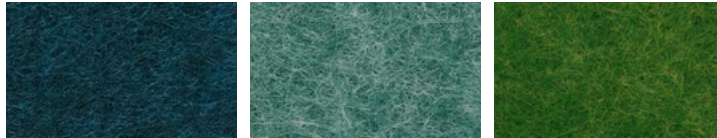


HAZELWOOD **HZW**

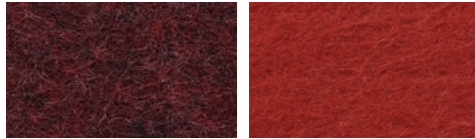
PREMIUM COLORS*



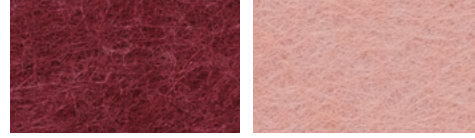
CORNFLOWER BLUE **CFB** DENIM BLUE **DNB** MIDNIGHT BLUE **MNB** DEEP PURPLE **DPP**



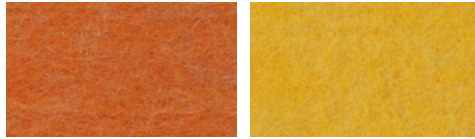
DEEP WATER **DWT** SEAFOAM **SFM** EMERALD GREEN **EMG**



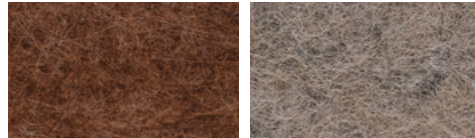
BRICK RED **BRD** CHERRY RED **CHR**



BERRY **BRY** BLUSH **BLS**



CARROT **CRT** PINEAPPLE **PNA**



CINNAMON **CNM** LIMESTONE **LMS**

9mm PET Felt
Focal Point, LLC

Final Assembly: Chicago, Illinois, USA
Life Expectancy: 30 Year(s)
End of Life Options: Salvageable/Reusable in its Entirety, Recyclable (100%)

Ingredients:
Polyethylene terephthalate; PET; N, N'-Ethylene bisstearamide; Octadecanamide, N,N'-1,2-ethanediybis-; Stearic Acid; Antioxidant 1076; Benzenepranoic acid, 3,5-bis(1-(dimethylethyl)-4-hydroxy-, octadecyl ester; Antioxidant KY-405; Benzenamine, 4-(1-methyl-1-phenylethyl)-; N-(4-(1-methyl-1-phenylethyl)phenyl)-; Titanium Dioxide; Titanium dioxide

Living Building Challenge Criteria: Compliant

I-13 Red List:
 LBC Red List Free % Disclosed: 100% at 100ppm
 LBC Red List Approved VOC Content: Not Applicable
 Declared

I-10 Interior Performance: CDPH Standard Method v1.2-2017
 I-14 Responsible Sourcing: Not Applicable

FPL-0001
 EXP: 01 APR 2025
 Original Issue Date: 2020

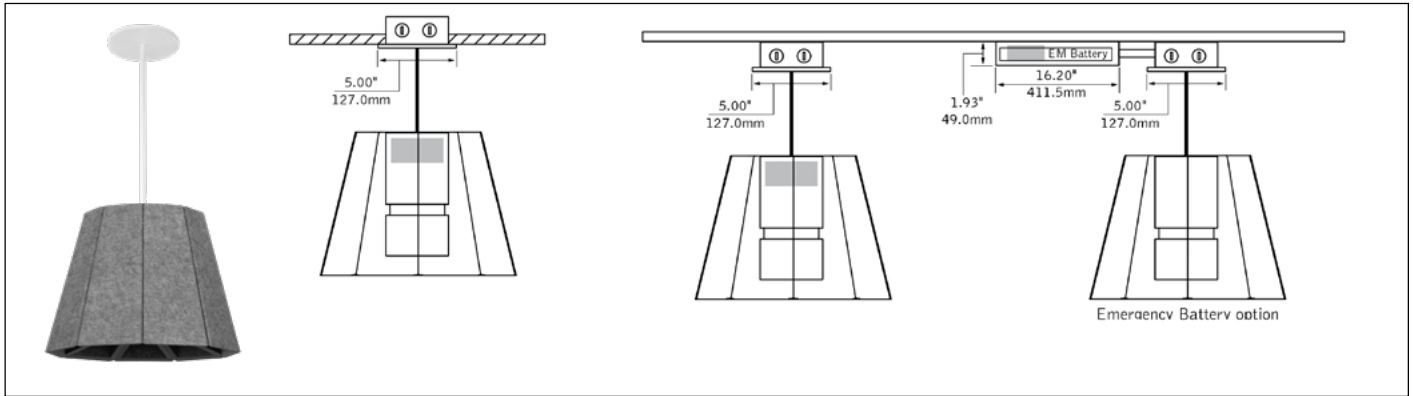
MANUFACTURER'S RESPONSIBILITY FOR LABEL ACCURACY
 INTERNATIONAL LIVING FUTURE INSTITUTE™ living.future.org/declare

*Contact factory for lead time and pricing.

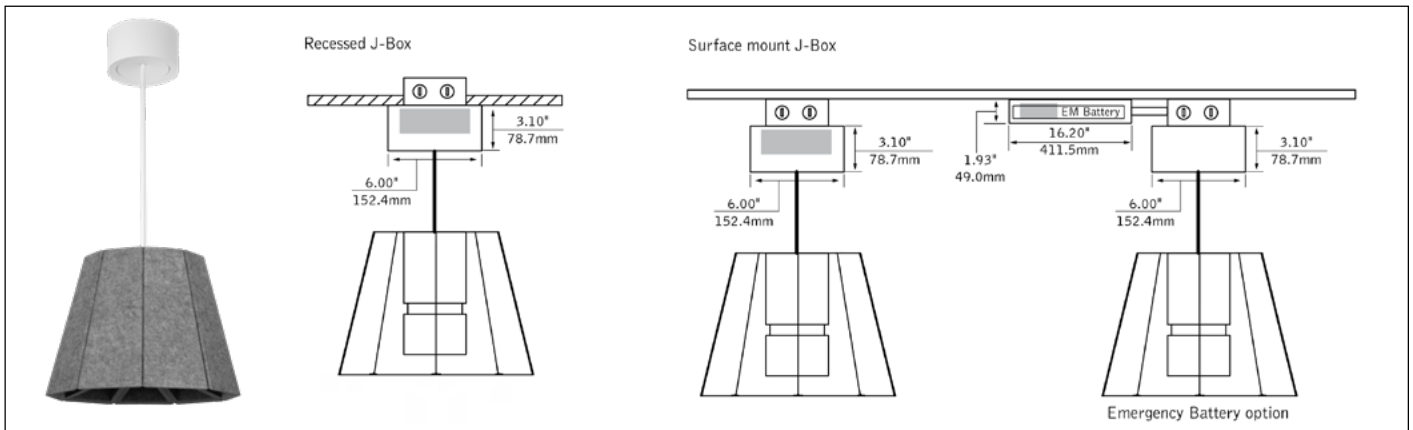
DIMENSIONAL DATA CONTINUED

SC - Shallow Canopy (Integral driver)

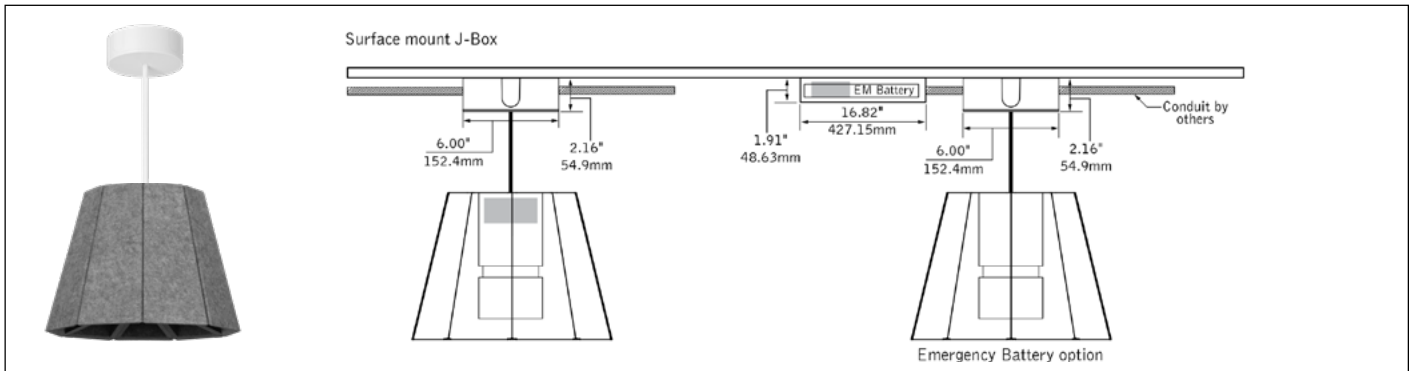
■ Indicates Driver Location



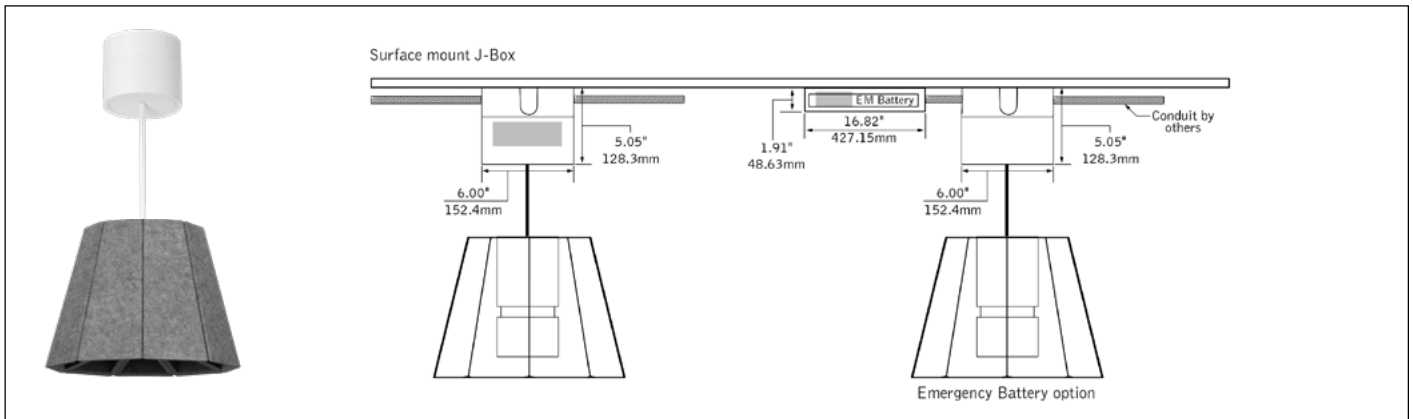
PC - Power Canopy



DSC - Shallow Canopy with decorative J-box cover, Integral Driver

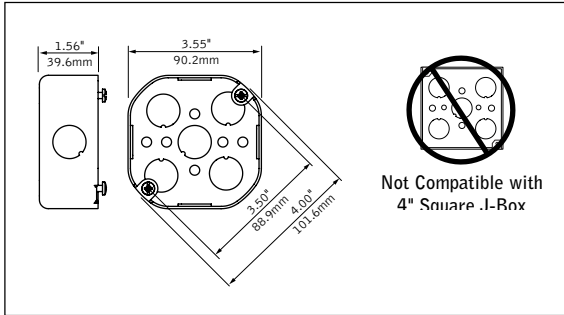


DPC - Power Canopy with decorative J-box cover



DIMENSIONAL DATA CONTINUED

4" Octagonal J-box required (By others)



LUMEN MULTIPLIER TABLE

Color Temperature & CRI

Trim Type	Optic	Color Temperature	Multiplier
Round [RD]	ALL	2700K, 80+ CRI [27K]	0.93
		2700K, 90+ CRI [927K]	0.78
		3000K, 80+ CRI [30K]	0.97
		3000K, 90+ CRI [930K]	0.81
		3500K, 80+ CRI [35K]	1.00
		3500K, 90+ CRI [935K]	0.83
		4000K, 80+ CRI [40K]	1.01
		4000K, 90+ CRI [940K]	0.86

Optic & Distribution

Trim Type	Optic	Distribution	Multiplier
Round [RD]	Tall Cone, 50° cut-off [DNT]	Narrow Flood (28°) [NFL]	1.00
		Flood 1 (34°) [FL1]	0.89
		Flood 2 (45°) [FL2]	0.75
		Wide Flood (57°) [WFL]	0.75
	Tall Cone, 50° cut-off with Solite Lens [DNLS]	Narrow Flood (28°) [NFL]	0.97
	Super Short Cone, 80° cut-off [DSS]	Super Wide Flood (89°) [SWFL]	0.74

Multiplier tables are provided to aid with estimation of lumen levels across options. Apply multipliers against ordered Lumen Output to estimate Delivered Lumens. Refer to IES files for most accurate photometric information.

How To Use Lumen Multipliers

Formula: (Lumen Output Value) x (Color Temperature & CRI) x (Optic & Distribution)

Example: DBL3-9-XX-XX-XX-XX-XX-XX-CD-XX-1000L-935K-1C-UNV-XX-DNT-FL1
 (1000) x (0.83) x (0.87) ≈ 722 lm (estimated delivered lumens)