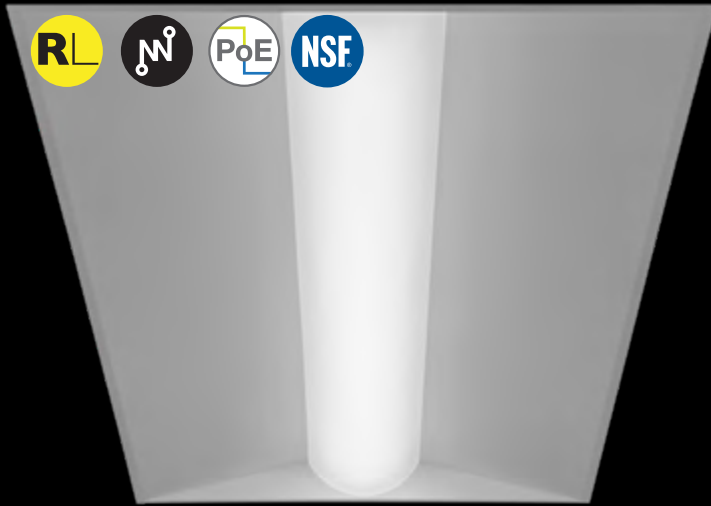
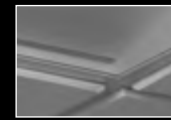


# Amica® 2 2x4

LED

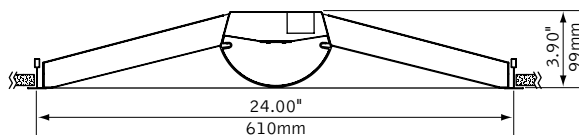


lens detail

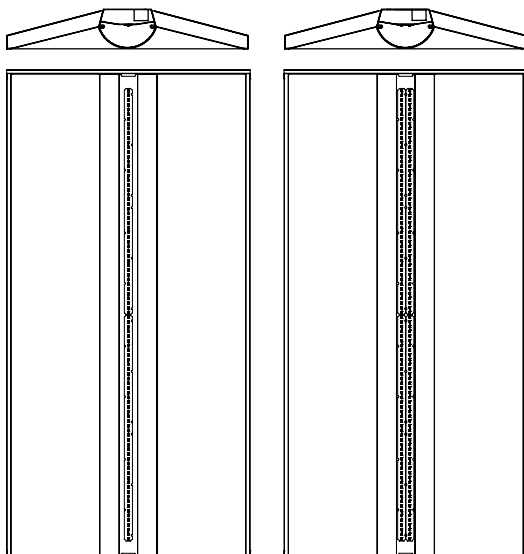


air return

## DIMENSIONAL DATA



### led options



Standard (2 LED Boards)

High Efficiency (4 LED Boards)

## FEATURES

Architectural recessed LED luminaire with classic lines to complement architecture.

Center ribbed diffuser masks LED brightness to create even illumination.

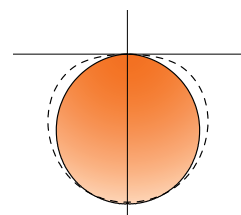
3.9" housing depth ideal for shallow plenum applications.

Access from below the ceiling for easy maintenance.

Connected Solutions: Integrates with wired and wireless building lighting control systems.

PoE compatible: Integrates with Power over Ethernet lighting systems via standard, low-voltage wires.

## PERFORMANCE



### PRODUCT OVERVIEW

Lumen Output:	4000-8000lm
Wattage:	30-62
LPW:	124-136
SDCM:	3

High Performance  
4000 Lumens (4000LH)

**Delivered Lumens: 4000lm**

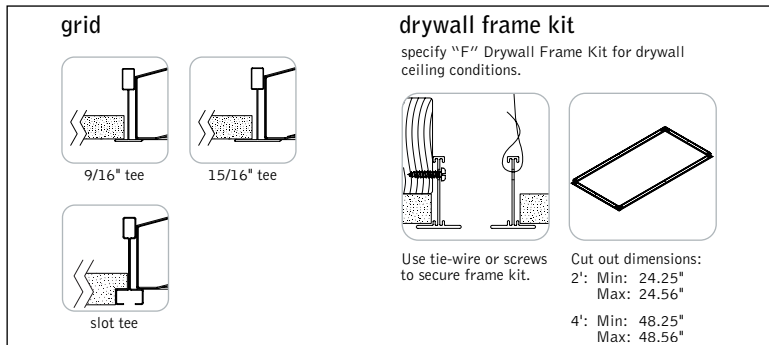
**Total System Watts: 30W**

Photometric performance is measured in accordance with IESNA LM-79. Visit [focalpointlights.com](http://focalpointlights.com) for complete photometric data.

fixture:

project:

**MOUNTING INFORMATION**



**SPECIFICATIONS**

**LED System**

LED module incorporates premium LEDs on a robust platform to achieve excellent thermal management. LEDs are placed to promote a uniform appearance. Available in 3000K, 3500K or 4000K with CRI>80, 3 SDCM. LED modules and drivers are replaceable from below.

**Construction**

One piece 24 Ga. steel reflector and housing. Bottom access 24 Ga. steel driver compartment. Top access plate for electrical connection. Positional brackets supplied as standard. Unit weight: 16 lbs.

**Optic**

24 Ga. steel reflectors finished in matte satin white powder coat. .084" thick frosted white acrylic diffuser with linear micro-prism pattern.

**Electrical**

Standard 120-277V driver includes 0-10V analog dimming. Power factor > .9. LD1 not Right Light as standard, consult factory. PoE compatible: Integrates with Power over Ethernet lighting systems via standard, low-voltage wires.

**Emergency**

Emergency battery output—10 watts for 90 minutes. Maximum mounting height: 22.5ft  
Emergency Circuit with Connected Solutions (DLM1, LMFS1, LMFSD, NLT1, ENL1, CLM1, NXE1, WLXP) requires a UL924 compliant device, consult factory.

**Labels**

UL and cUL Listed. Suitable for Dry or Damp Locations, indoor use only.

**Finish**

Polyester powder coat applied over a multi-stage pre-treatment. Optional Anti-Microbial paint finish available.

**Lumen Maintenance**

Reported: L70 at > 60,000 hours      Calculated: L70 at 150,000 hours  
L80 at > 60,000 hours      L80 at 94,000 hours

Derived from EPA TM-21 calculator. Based on typical conditions, consult factory for additional data.

**Reliability**

At Focal Point, our products are designed to stand the test of time. Each luminaire is engineered using superior components, manufactured with the utmost care and rigorously tested. Contact us for reliability data.

**Warranty**

LED system rated for operation in ambient environments up to 25°C. 5-year limited warranty.

**PERFORMANCE CHART**

Delivered Lumens	Tested System Watts	LPW	Lumen Multipliers		
			CCT	CRI	Multiplier
4000 Lumens	4000L	32	3000K	80	0.81
	4000LH	30			
4500 Lumens	4500L	37	3500K	90	0.93
	4500LH	34			
5000 Lumens	5000L	38	4000K	80	0.85
	5000LH	36			
5500 Lumens	5500L	42		90	0.98
	5500LH	41			
6000 Lumens	6000L	46			
	6000LH	44			
6500 Lumens	6500L	51			
	6500LH	49			
7000 Lumens	7000L	56			
	7000LH	54			
7500 Lumens	7500L	61			
	7500LH	58			
8000 Lumens	8000LH	62			

Based on 3500K, 80 CRI. \*Lumen output may vary +/- 8%. Actual wattage may vary +/- 3%

Focal Point LLC reserves the right to change specifications for product improvement without notification.

**ORDERING**

**Luminaire Series**

Amica 2 FAM2

**Nominal Size**

2' x 4' 24

**Shielding**

Ribbed Acrylic Diffuser ACR

**Lumen Output**

Standard (2 LED Boards)

4000 Lumens 4000L  
4500 Lumens 4500L  
5000 Lumens 5000L  
5500 Lumens 5500L  
6000 Lumens 6000L  
6500 Lumens 6500L  
7000 Lumens 7000L  
7500 Lumens 7500L

High Efficiency (4 LED Boards)

4000 Lumens 4000LH  
4500 Lumens 4500LH  
5000 Lumens 5000LH  
5500 Lumens 5500LH  
6000 Lumens 6000LH  
6500 Lumens 6500LH  
7000 Lumens 7000LH  
7500 Lumens 7500LH  
8000 Lumens 8000LH

**Color Temperature**

3000K, 80+ CRI or 90+ CRI 30K or 930K  
3500K, 80+ CRI or 90+ CRI 35K or 935K  
4000K, 80+ CRI or 90+ CRI 40K or 940K

**Circuit**

Single Circuit 1C

**Voltage**

120/277 UNV Volt UNV

347 Volt 347

(LD1, CLM1 only. Not available with EM)

Low Voltage LV

**Control System & Dimming Level**

0-10V - 10% Dimming LD1

(Not Right Light as standard, consult factory)

0-10V - 1% Dimming L11

Low Voltage, PoE compatible LVN

(No driver. Not available with EM, LV Voltage only)

Lutron Hi-Lume EcoSystem (LDE1) - LH1

1% Dimming (Not available with 7500L or 8000LH.)

DALI - 1% Dimming D11

Step Dimming SD5

Wattstopper DLM - 1% Dimming DLM1

Wattstopper Fixture Sensor LMFS1

Low Density - 1% Dimming

Wattstopper Fixture Sensor LMFSD

High Density - 1% Dimming

Acuity nLight - 1% Dimming NLT1

(Not available with CP.)

Enlighted Smart Sensor - 1% Dimming ENL1

Encelium CLM Connected Lighting CLM1

Module - 1% Dimming

Current NX Enabled - 1% Dimming NXE1

WaveLinx Pro - 1% Dimming WLXP

**Mounting**

Grid G

Drywall Frame Kit F

(Not available with DLM1, CLM1, NXE1 or NLT1)

(Cut out dimensions: Min: 24.25"/Max: 24.56"

Min: 48.25"/Max: 48.56")

Surface Mount SM

(Not available with DLM1, CLM1, NXE1 or NLT1)

24" Aircraft Cable C24

48" Aircraft Cable C48

96" Aircraft Cable C96

**Factory Options**

Air Return AR

(Overall height for luminaire with Air Return is 4.4")

Chicago Plenum CP

(Not available with flex whip)

Emergency Battery EM

with Integral Test Switch

6' New York City Flex Whip (120V) FNY1

6' New York City Flex Whip (277V) FNY2

6' Flex Whip FW

NSF Listed NSF

**Finish**

Matte Satin White WH

Matte Satin White Anti-Microbial WHA



Options in orange qualify for the Quickship program. 5-day up to 100 pieces, 10-day up to 300 pieces. Refer to Quickship Guide for complete details.

Focal Point provides flexibility in meeting the needs of each project by integrating with several building lighting control systems. A variety of sensors, drivers and other components can be specified that allow the luminaires to communicate with wired and wireless networks. All zoning can be digitally reconfigured through the application software. Daylight harvesting, occupancy sensing, integration with HVAC systems, and individual controls enable the monitoring and modulating of light levels and temperature in order to save energy, reduce costs and maximize occupants' comfort. All Connected Solutions luminaires require a compatible building control system.†

Connected Solution	Ordering Code	Model #**	Protocol	Compatible Networks*	Occupancy & Daylight	Temperature Reporting	Communication to Luminaire	Drivers	
 <b>legrand</b> <sup>®</sup> WATTSTOPPER <sup>®</sup>		DLM1	LMFC-011	DLM	DLM	Enabled	No	Wired 	<b>Advance by Signify,</b> Optotronic by eldoLED
		LMFS1	LMFS-601 & LMFI-111	DLM Wireless	DLM	Enabled	No	Wireless	<b>Advance by Signify</b>
	LMFSD	LMFS-601	<b>Optotronic by eldoLED (Dexal)</b>						
 <b>COOPER</b> Lighting Solutions		WLXP	OEM-WAA	WaveLinx Wireless	WaveLinx Pro Trellix	Enabled	No	Wireless (WaveLinx Pro Wireless Area Controller)	<b>Advance by Signify</b>
 <b>CRESTRON</b>		D11	Specified Driver	DALI	Crestron Züm Wireless & SpaceBuilder	Enabled	No	Wired	<b>eldoLED ECOdrive</b>
		L11		0-10V					<b>Advance by Signify</b>
 <b>ENCELIUM</b>		CLM1	ZBHA-CLM-DIM-ENC	ZigBee	Encelium X Light Management System	Enabled	No	Wireless	<b>Optotronic by eldoLED</b> Advance by Signify
 <b>Enlighted</b>		ENL1	SU-5E-IOT	Enlighted RF	Enlighted	Integrated	Yes	Wireless	<b>Advance by Signify</b>
 <b>LUTRON</b>		LH1	LDE1	EcoSystem	Quantum, Energi Savr Node, Energi TriPak	Enabled	No	Wired	<b>Lutron Hi-Lume</b>
 <b>nLIGHT</b>		NLT1	nEPS-60-IO	nLight	nLight	Enabled	No	Wired 	<b>eldoLED ECOdrive,</b> eldoLED SOLOdrive
								Wireless 	
 <b>NX LIGHTING CONTROLS</b>		NXE1	NXFM-LV	NX	NX Distributed Intelligence	Enabled	No	Wired 	<b>Optotronic by eldoLED</b>

\*Not all compatible networks may be listed. \*\*For performance data and additional control system details please visit the connected solutions manufacturer websites. Primary drivers are listed in **bold**. To specify a particular driver please consult factory. †Controls systems supplied by others.