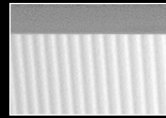
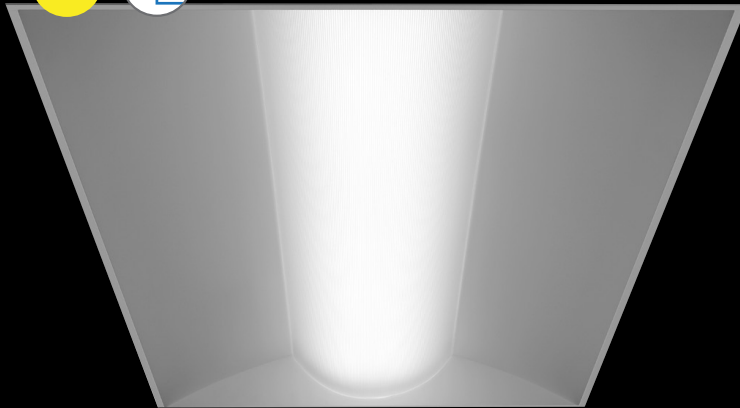


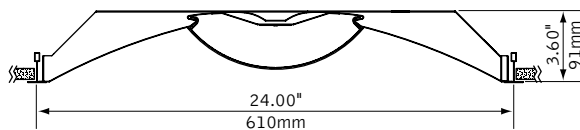
Amica® 2x4

LED



lens detail

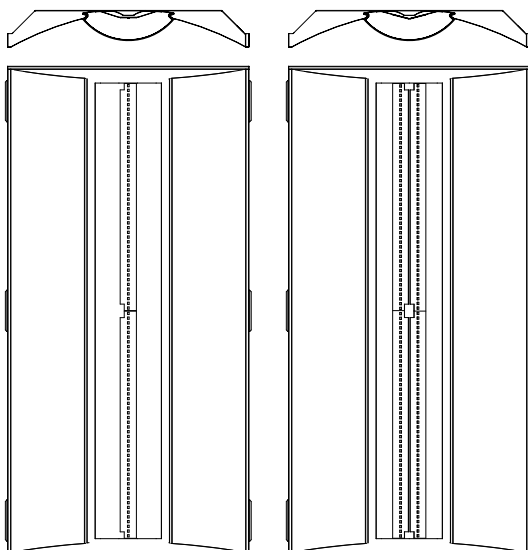
DIMENSIONAL DATA



led options

Standard

High Efficiency



2 LED boards

4 LED boards

FEATURES

Architectural recessed LED luminaire.

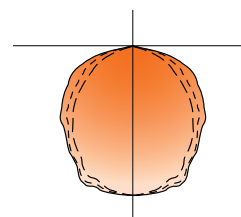
Sweeping curves and classic lines complement architecture.

Amica's center ribbed diffuser masks LED brightness and image to create even illumination.

Amica features a shallow 3.6" housing depth which flies under the radar of most plenum obstructions.

PoE compatible: Integrates with Power over Ethernet lighting systems via standard, low-voltage wires.

PERFORMANCE



PRODUCT OVERVIEW

Lumen Output: 4000-6000lm

Wattage: 37-54W

LPW: 102-118

SDCM: 3

High Performance
5000 Lumens (5000LH)

Delivered Lumens: 5000lm

Total System Watts: 44W

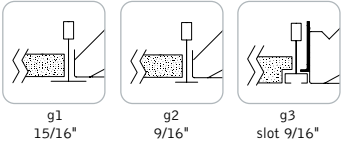
Photometric performance is measured in accordance with IESNA LM-79. Visit focalpointlights.com for complete photometric data.

fixture:

project:

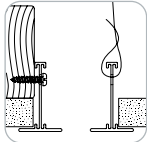
MOUNTING INFORMATION

grid
for lay-in grid, specify G1, G2 or G3.

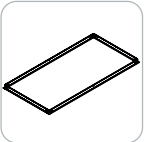


g1
15/16"
g2
9/16"
g3
slot 9/16"

drywall frame kit
specify "DF" Drywall Frame Kit for drywall ceiling conditions.



Use tie-wire or screws to secure frame kit.



cut out dimensions:
2': Min: 24.25"
Max: 24.563"
4': Min: 48.25"
Max: 48.563"

SPECIFICATIONS

LED System

Proprietary linear LED module incorporates premium LEDs on a robust platform to achieve excellent thermal management. LEDs are placed to promote a uniform appearance. Available in 3000K, 3500K or 4000K with CRI>80, 3 SDCM. 0-10V dimming driver standard. LED modules and drivers are replaceable from below.

Construction

One piece 20 Ga. steel reflector and housing. Side access 20 Ga. steel driver compartment. Positional brackets supplied as standard. Unit weight: 25 lbs.

Optic

20 Ga. steel reflectors finished in matte satin white powder coat. .095" thick frosted white acrylic lamp diffusers with linear micro-prism pattern.

Electrical

Standard 120-277V driver includes 0-10V analog dimming. Power factor > .9. Optional EcoSystem dimming drivers from Lutron available. PoE compatible: Integrates with Power over Ethernet lighting systems via standard, low-voltage wires.

Emergency Battery

Bodine BSL310-CAN. Emergency output—10 watts for 90 minutes. Grid and Drywall Frame kit mounting only.

Labels

UL and cUL Listed. Suitable for Dry or Damp Locations, indoor use only.

Finish

Polyester powder coat applied over a 5-stage pre-treatment. Optional Matte Satin White with anti-microbial coating provides 99.99% protection against a broad spectrum of micro-organisms.

Lumen Maintenance

Reported: L90 at >61,000 hours Calculated: L90 at 114,000 hours
Derived from EPA TM-21 calculator. Based on typical conditions, consult factory for additional data.

Reliability

At Focal Point, our products are designed to stand the test of time. Each luminaire is engineered using superior components, manufactured with the utmost care and rigorously tested. Contact us for reliability data.

Warranty

LED system rated for operation in ambient environments up to 25°C. 5-year limited warranty.

PERFORMANCE CHART

	Delivered Lumens	Tested System Watts	LPW
4000 Lumens	4000L	37	108
	4000LH	34	118
4500 Lumens	4500L	43	105
	4500LH	39	115
5000 Lumens	5000L	48	104
	5000LH	44	114
5500 Lumens	5500L	54	102
	5500LH	48	115
6000 Lumens	6000LH	54	111

Lumen output may vary +/- 5%. Actual wattage may vary +/- 5%

Focal Point LLC reserves the right to change specifications for product improvement without notification.

ORDERING

Luminaire Series	Amica LED	FAML
Nominal Size	2' x 4'	24
Shielding	Radial Acrylic Diffuser	ACR
Lumen Output	Standard	
	4000 Lumens	4000L
	4500 Lumens	4500L
	5000 Lumens	5000L
	5500 Lumens	5500L
High Efficiency		
	4000 Lumens	4000LH
	4500 Lumens	4500LH
	5000 Lumens	5000LH
	5500 Lumens	5500LH
	6000 Lumens	6000LH
Color Temperature		
	3000K, 80+ CRI	30K
	3500K, 80+ CRI	35K
	4000K, 80+CRI	40K
Circuit		1C
	Single Circuit	1C
Voltage		
	120 Volt	120
	277 Volt	277
	UNV Volt	UNV
	Low Voltage	LV
Control System & Dimming Level		
	0-10V - 1% Dimming	L11
	0-10V - 10% Dimming	LD1
	5000 Lumens and higher: (2) drivers supplied, (2) EcoSystem addresses consumed	
	Low Voltage, PoE compatible (No driver. Not available with EM or EC. LV Voltage only)	LVN
	Step Dimming (Grid and drywall mounting only)	SD5
	DALI - 1% Dimming (Consult factory)	D11
Mounting		
	24" Aircraft Cable	C24
	48" Aircraft Cable	C48
	96" Aircraft Cable	C96
	15/16" Grid	G1
	9/16" Grid	G2
	9/16" Slot Tee	G3
	Drywall Frame Kit (Cut out dimensions: Min: 24.25"/Max: 24.563" Min: 48.25"/Max: 48.563")	F
	Surface Mount	SM
Factory Options		
	Air Return (Overall height for luminaire with Air Return is 4.25")	AR
	Chicago Plenum	CP
	Emergency Battery Pack with Integral Test Switch	EM
	6' New York City Flex Whip	FNY
	6' Flex Whip	FW
Finish		
	Matte Satin White	WH
	Matte Satin White with Anti-Microbial Coating	WHA